

# Dial Caliper

## Series 505

This dial caliper offers you the following benefits:

- A titanium coating is applied to the sliding surfaces to give you enhanced durability.



505-683

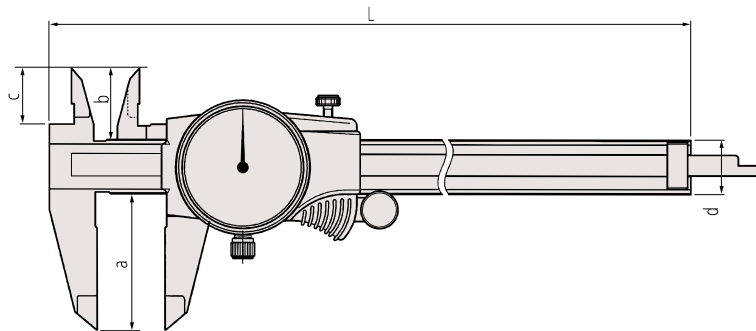


505-688

### Metric

No.	Range [mm]	Graduation	Accuracy	Sliding titanium coated	L [mm]	a [mm]	b [mm]	c [mm]	d [mm]	Mass [g]	Price [€]
505-683	0-150	0,02 mm. 2 mm/rev	±0,03 mm		231	40	21	16,5	16	175	93,00
505-685	0-150	0,01 mm. 1 mm/rev	±0,02 mm		231	40	21	16,5	16	176	108,00
505-688	0-150	0,01 mm. 1 mm/rev	±0,02 mm		231	40	21	16,5	16	176	108,00
505-684	0-200	0,02 mm. 2 mm/rev	±0,03 mm		288	50	24,5	20	16	185	191,00
505-686	0-200	0,01 mm. 1 mm/rev	±0,03 mm		288	50	24,5	20	16	186	206,00

505-688: Without thumb roller



Functions	Series 505
Locking screw	

### Specifications

Accuracy	Refer to the list of specifications
Depth bar	flat
Delivered	In a case

### Optional accessories

No.	Description	Price €
050083-10	75 base for depth measurement for models up to 200	45,00
050084-10	100 base for depth measurement for models up to 200	50,00
050085-10	125 base for depth measurement for 300 models	57,00



Titanium coating

# Dial Caliper

## Series 505

This dial caliper offers you the following benefits:

- A titanium coating is applied to the sliding surfaces to give you enhanced durability (except for 0-300mm model).



Functions	Series 505
Locking screw	●
Thumb roller	●

### Specifications

Accuracy	Refer to the list of specifications
Delivered	In a case

### Optional accessories

No.	Description	Price €
050083-10	75 base for depth measurement for models up to 200	45,00
050084-10	100 base for depth measurement for models up to 200	50,00
050085-10	125 base for depth measurement for 300 models	57,00



Titanium coating



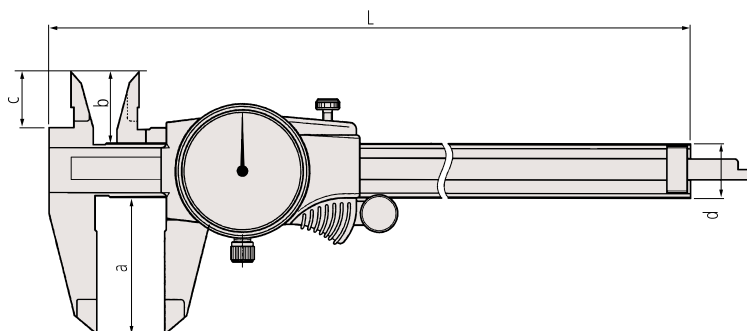
505-671



505-673

### Metric

No.	Range [mm]	Graduation	Accuracy	Sliding titanium coated	L [mm]	a [mm]	b [mm]	c [mm]	d [mm]	Mass [g]	Price [€]
505-680	0-100	0,01 mm. 1 mm/rev	±0,015 mm	●	180	40	21	16,5	16	151	
505-671	0-150	0,02 mm. 2 mm/rev	±0,03 mm	●	231	40	21	16,5	16	175	93,00
505-681	0-150	0,01 mm. 1 mm/rev	±0,02 mm	●	231	40	21	16,5	16	176	108,00
505-672	0-200	0,02 mm. 2 mm/rev	±0,03 mm	●	288	50	24,5	20	16	185	191,00
505-682	0-200	0,01 mm. 1 mm/rev	±0,03 mm	●	288	50	24,5	20	16	186	206,00
505-673	0-300	0,02 mm. 2 mm/rev	±0,04 mm		403	64	27,5	22	20	370	288,00



# Dial Caliper with Carbide Tipped Jaws

## Series 505

This dial caliper offers you the following benefits:

- A titanium coating is applied to the sliding surfaces to give you enhanced durability.



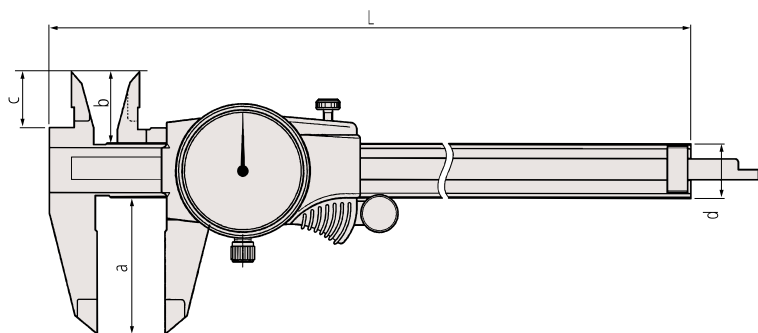
505-711

### Metric Carbide-tipped jaws for outside/inside measurement

No.	Range [mm]	Graduation	Accuracy	Sliding titanium coated	L [mm]	a [mm]	b [mm]	c [mm]	d [mm]	Mass [g]	Price [€]
505-711	0-150	0,02 mm. 2 mm/rev	±0,03 mm		231	40	21	16,5	16	175	330,00

### Metric Carbide-tipped jaws for outside measurement

No.	Range [mm]	Graduation	Accuracy	Sliding titanium coated	L [mm]	a [mm]	b [mm]	c [mm]	d [mm]	Mass [g]	Price [€]
505-707	0-150	0,02 mm. 2 mm/rev	±0,03 mm		231	40	21	16,5	16	175	273,00



Functions	Series 505
Locking screw	
Thumb roller	

### Specifications

Accuracy	Refer to the list of specifications
Delivered	In a case

### Optional accessories

No.	Description	Price €
050083-10	75 base for depth measurement for models up to 200	45,00
050084-10	100 base for depth measurement for models up to 200	50,00
050085-10	125 base for depth measurement for 300 models	57,00



Carbide-tipped jaws



Titanium coating