

Ultra light caliper

UL4

DESCRIPTION

- **Integrated Bluetooth[®] data transmission**
- Mobile jaws
- Internal and external measurement
- This system ensures a perfect guidance and protects the beam against shocks
- Displays the upper and lower tolerances
- Extremely light instrument
- IP67 protection

Built-in
Bluetooth[®]
SMART



Stainless steel external jaws, thickness 8 mm, titanium coated

SWISS MADE



IP67

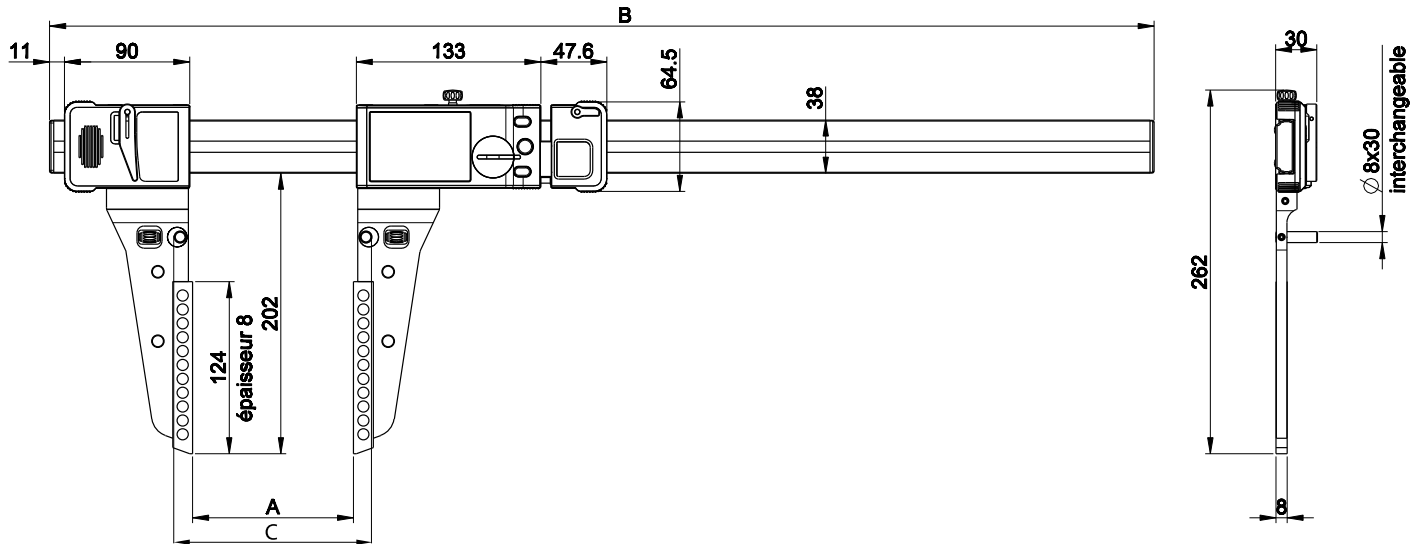


Ultra light caliper

UL4

DIMENSIONAL DRAWING

A



TECHNICAL SPECIFICATIONS

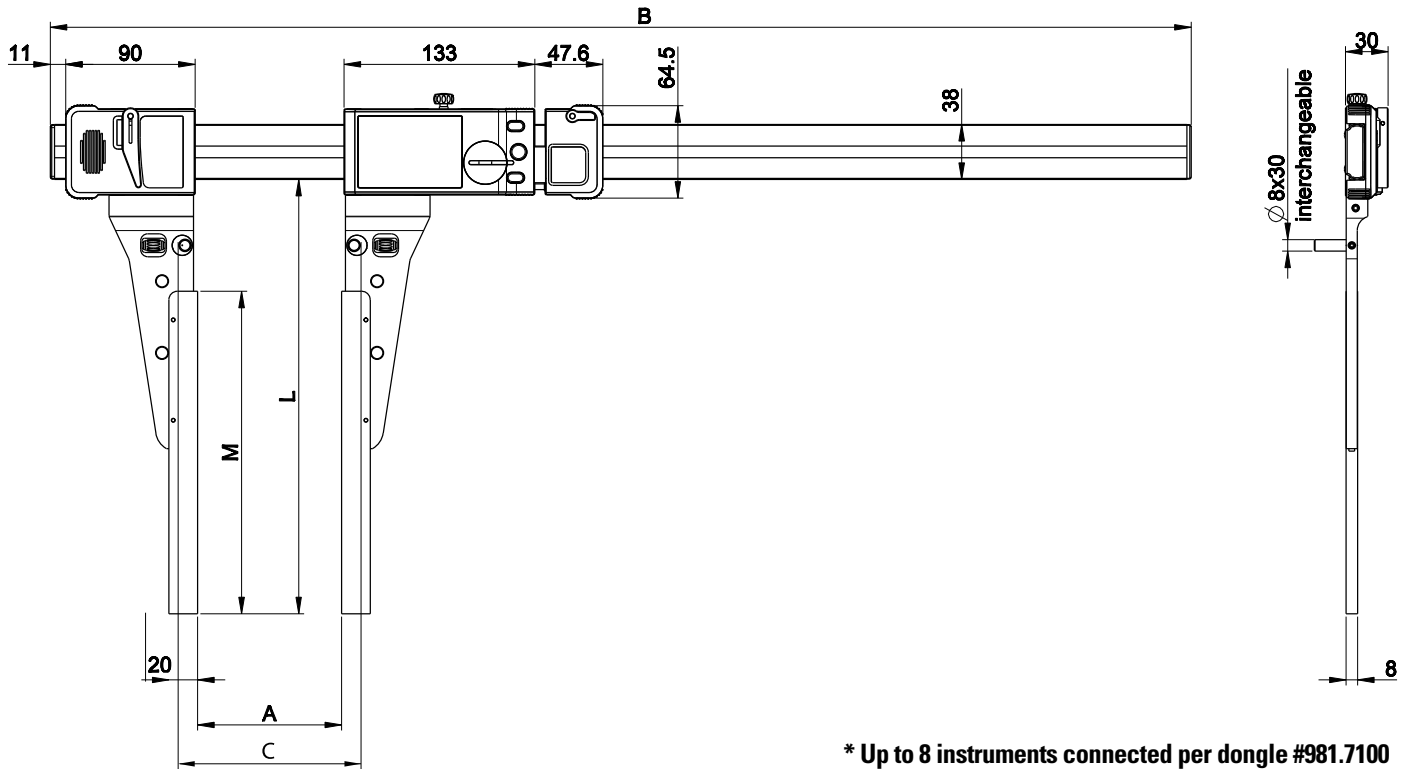
		811.1404	811.1406	811.1410	811.1415	811.1420	811.1425	811.1430	
Measuring range	mm	400	600	1000	1500	2000	2500	3000	
Max. Error	μm	30	40	50	90	120	150	200	
Repeatability	μm	20				30			
A	mm	0-478	0-683	0-1093	0-1608	0-2123	0-2638	0-3153	
C	mm	27-505	27-710	27-1110	27-1635	27-2150	27-2665	27-3180	
B	mm	796	1001	1411	1926	2441	2956	3471	
Measuring Force	N	7.5 - 11.5 ($\pm 20\%$)							
S_Connect		Bluetooth® Smart* / Proxi.-RS232 , -USB							
IP67 Protection		●							
Preset max.		$\pm 9999.99 \text{ mm} / \pm 399.9995 \text{ IN}$							
Weight	kg	1.5	1.6	1.9	2.3	2.6	2.9	3.3	
Setting by PC		●							
2 references		●							
Min/Max function		●							
Tolerance limit indicators		●							

*** Up to 8 instruments connected per dongle #981.7100**
 More informations on How to use Bluetooth® leaflet SYL_1401_EN_BT

Ultra light caliper

UL4

A SPECIAL EXECUTIONS | SPECIAL JAWS TYPE A



* Up to 8 instruments connected per dongle #981.7100
More informations on How to use Bluetooth® leaflet SYL_1401_EN_BT

TECHNICAL SPECIFICATIONS

		811.2316.99	811.2317.99
Special jaws (pair)		Lenght L to specify with order (max 400 mm)	
L	mm	≤ 300	≤ 400
M	mm	L - 75	

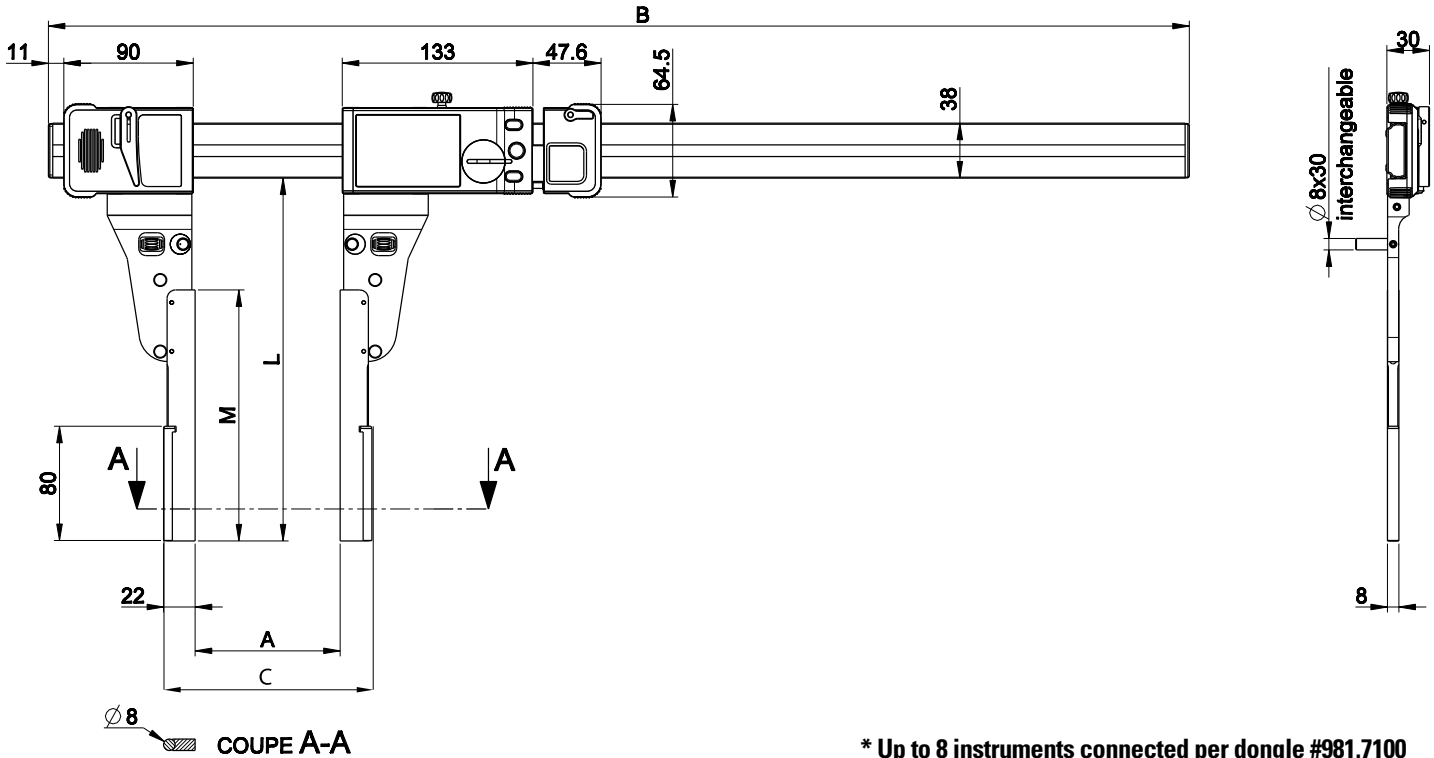
		UL 400	UL 600	UL 1000	UL 1500	UL 2000	UL 2500	UL 3000
UL specification		Max. error. [µm] / Repeatability [µm]						
With Jaws 811.2316.99		40/20	50/20	70/20	130/30	180/40	220/40	320/40
With Jaws 811.2317.99		70/40	80/40	120/40	200/50	300/60	400/70	500/80
Measuring range	mm	400	600	1000	1500	2000	2500	3000
A	mm	0-478	0-683	0-1093	0-1608	0-2123	0-2638	0-3153
C	mm	27-505	27-710	27-1110	27-1635	27-2150	27-2665	27-3180
B	mm	796	1001	1411	1926	2441	2956	3471

Ultra light caliper

UL4

SPECIAL EXECUTIONS | SPECIAL JAWS TYPE C

A



* Up to 8 instruments connected per dongle #981.7100
More informations on How to use Bluetooth® leaflet SYL_1401_EN_BT

TECHNICAL SPECIFICATIONS

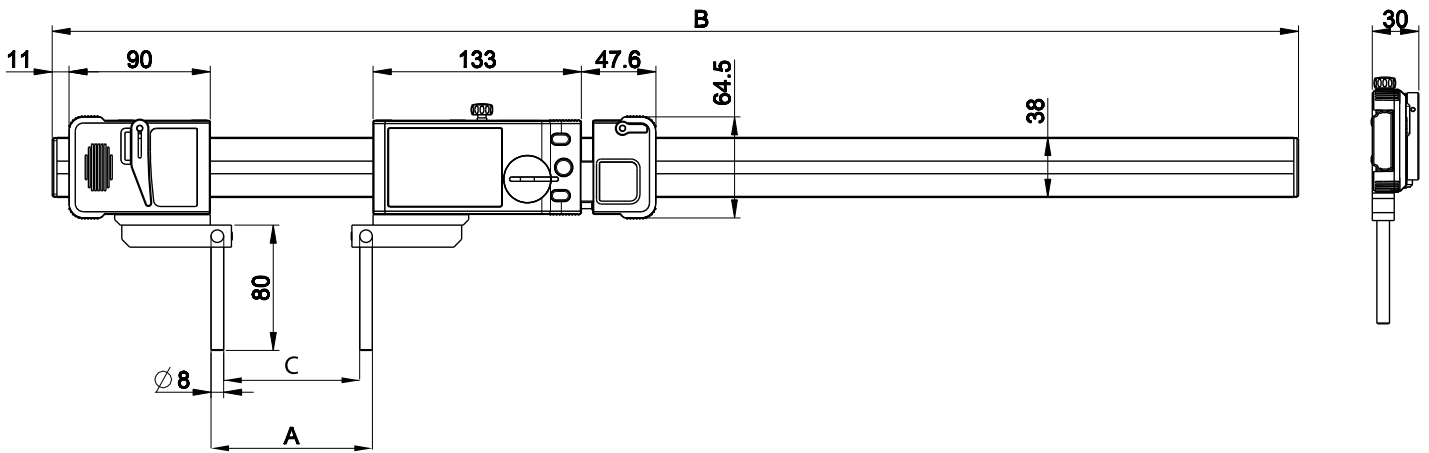
		811.2319.99
Special jaws (pair)		Lenght L to specify with order (max 300 mm)
L max	mm	300
M	mm	L - 75

		UL 400	UL 600	UL 1000	UL 1500	UL 2000	UL 2500	UL 3000
UL specification		Max. error. [µm] / Repeatability [µm]						
With Jaws ≤ 200	mm	40/20	50/20	70/30	120/30	170/30	210/30	300/40
With Jaws ≤ 300	mm	50/30	60/30	90/30	150/30	200/40	300/40	400/50
Measuring range	mm	400	600	1000	1500	2000	2500	3000
A	mm	0-478	0-683	0-1093	0-1608	0-2123	0-2638	0-3153
C	mm	44-522	44-727	44-1137	44-1652	44-2167	44-2682	44-3197
B	mm	796	1001	1411	1926	2441	2956	3471

Ultra light caliper

UL H4

DESCRIPTION



TECHNICAL SPECIFICATIONS

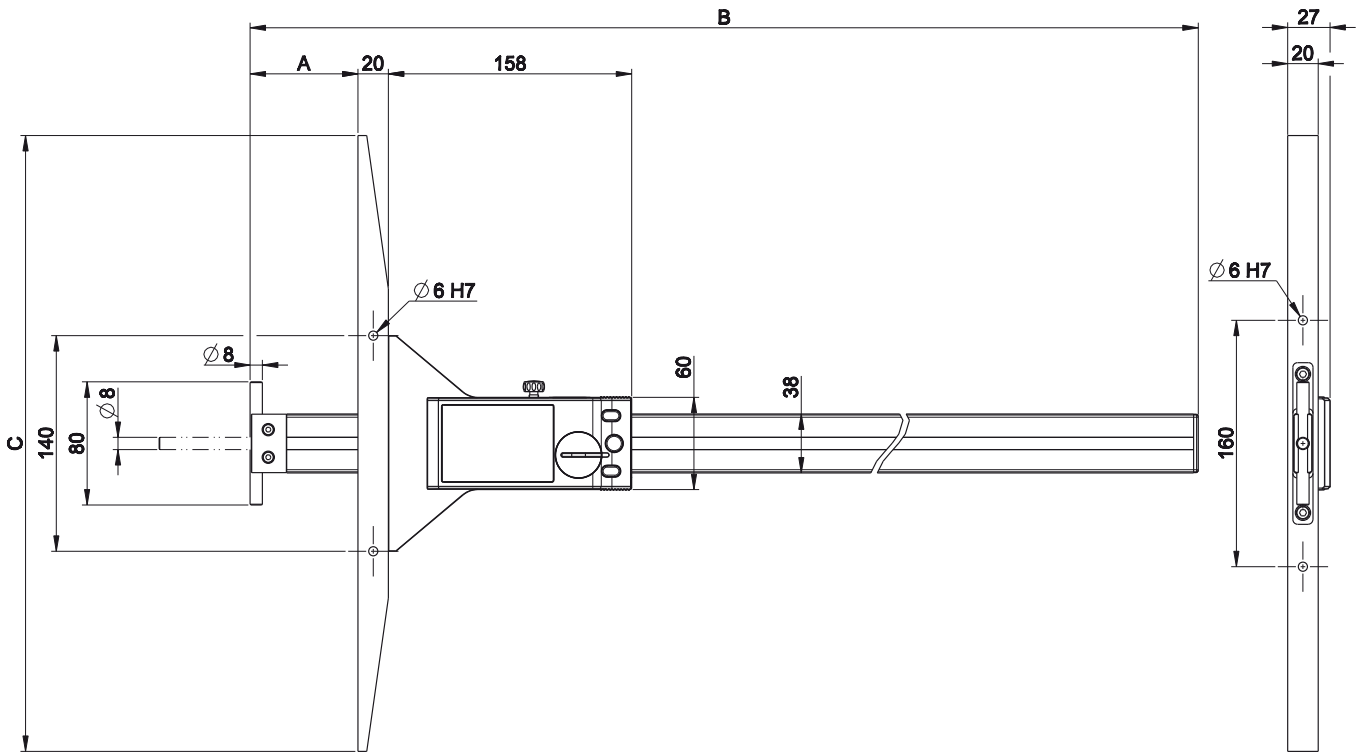
		811.8040	811.8060	811.8100	811.8150	811.8200	811.8250	811.8300
Measuring range	mm	400	600	1000	1500	2000	2500	3000
Max.Error	µm	30	40	50	90	120	150	200
Repeatability	µm	20				30		
A	mm	26-480	26-685	26-1095	26-1610	26-2125	26-2640	26-3155
C	mm	10-464	10-669	10-1079	10-1594	10-2109	10-2624	10-3139
B	mm	796	1001	1411	1926	2441	2956	3471
Measuring Force	N	7.5 - 11.5 (±20%)						
S_Connect		Bluetooth® Smart* / Proxi.-RS232 , -USB						
IP67 Protection		●						
Preset max.		±9999.99 mm / ±399.9995 IN						
Weight	kg	1.1	1.2	1.5	1.9	2.2	2.5	2.9
Setting by PC		●						
2 references		●						
Min/Max function		●						
Tolerance limit indicators		●						

* Up to 8 instruments connected per dongle #981.7100
 More informations on How to use Bluetooth® leaflet SYL_1401_EN_BT

Ultra light depth gauge

UL V4

DIMENSIONAL DRAWING



TECHNICAL SPECIFICATIONS

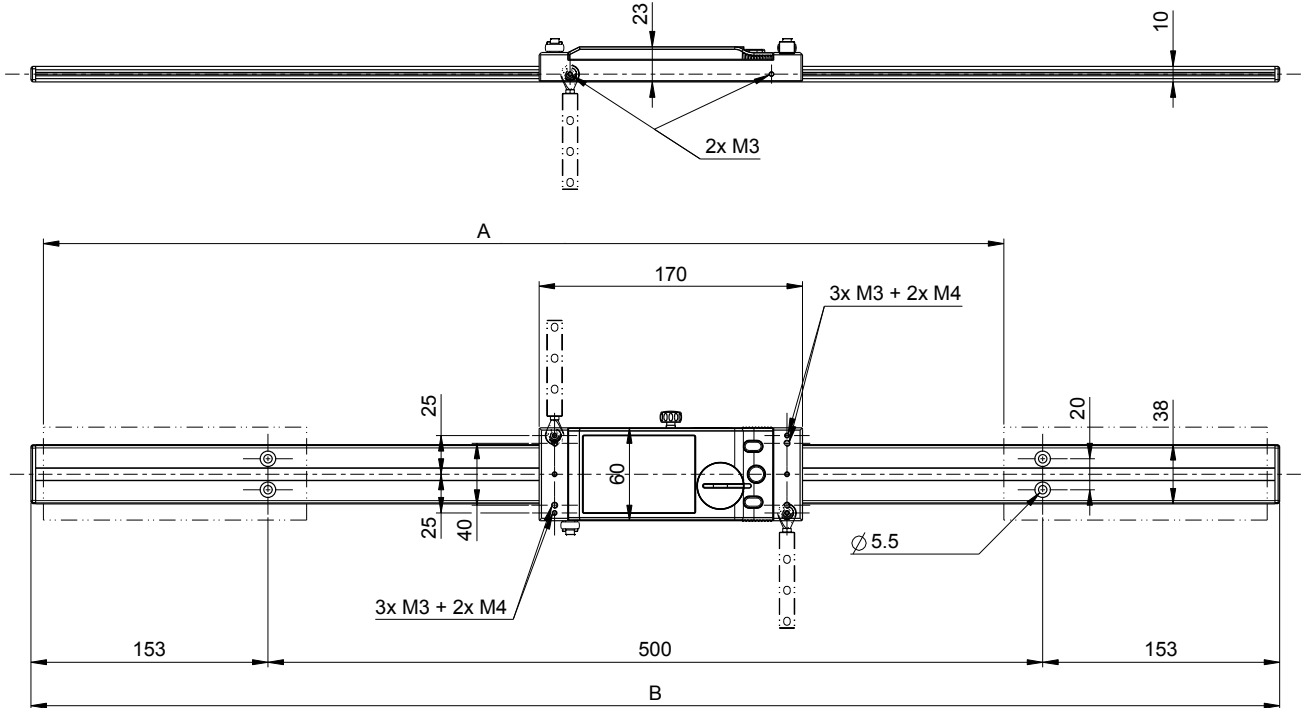
		811.6100	811.6150
Measuring range	mm	1000	1500
Max.Error	µm	100	130
Repeatability	µm	20	
A	mm	0 - 1030	0 - 1545
C	mm	400 / 600	
B	mm	1242	1757
S_Connect		Bluetooth® Smart* / Proxi.-RS232 , -USB	
IP67 Protection		●	
Preset max.		±9999.99 mm / ±399.9995 IN	
Weight	kg		
Setting by PC		●	
2 references		●	
Min/Max function		●	
Tolerance limit indicators		●	

* Up to 8 instruments connected per dongle #981.7100
 More informations on How to use Bluetooth® leaflet SYL_1401_EN_BT

Ultra light digital scale

UL D4

A DESCRIPTION



TECHNICAL SPECIFICATIONS

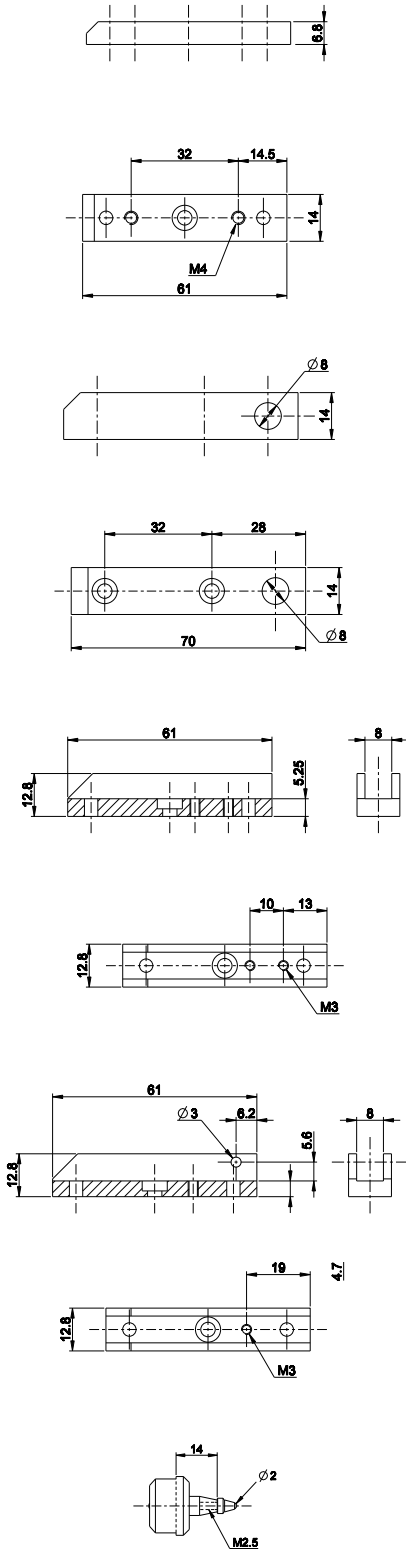
		814.1510	814.1515	814.1520	814.1525	814.1530
Measuring range	mm	1000	1500	2000	2500	3000
Max. Error	µm	60	90	120	150	200
Repeatability	µm	20				
A	mm	0 - 1120	0 - 1620	0 - 2120	0 - 2620	0 - 3120
B	mm	1306	1806	2306	2806	3306
Number range of raws		3	4	5	6	7
S_Connect		Bluetooth® Smart* / Proxi.-RS232 , -USB				
IP67 Protection		●				
Preset max.		±9999.99 mm / ±399.9995 IN				
Weight	kg	1.2	1.5	1.8	2.2	2.5
Setting by PC		●				
2 references		●				
Min/Max function		●				
Tolerance limit indicators		●				

* Up to 8 instruments connected per dongle #981.7100
 More informations on How to use Bluetooth® leaflet SYL_1401_EN_BT

Ultra light caliper

ACCESSORIES

A

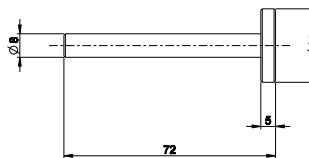
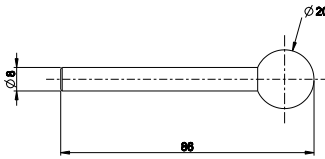
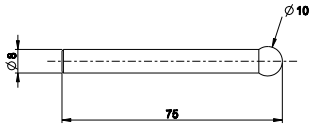
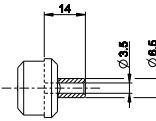
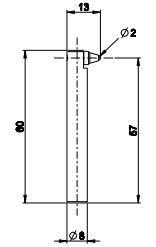
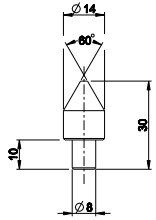


		UL4	UL H4	ULV4	ULD4
811.2301	Universal base (2 pieces)	●	●		
811.2302	Ø8 Probe holder (2 pieces)	●	●		
811.2303	Accessories holder (2 different pieces)	●	●		
811.2305	Support with int. thread M 2.5 for measuring anvils, (2 pieces)	●			

See also cables chapter

Ultra light caliper

ACCESSORIES



		UL4	UL H4	ULV4	UL D4
811.2307	Inserts in hardened steel, cone 60° for bore clearance measurement > 10 mm, (2 pieces)	●	●		
811.2309	Holder for dial gauge contact points for internal groove measurement, (2 pieces)	●	●		
811.2304	Thread anvils holders for thread measurement, (2 pieces)	●			
811.2310	Probe Ø10mm (2 pieces)	●	●		
811.2311	Probe Ø20mm (2 pieces)	●	●		
811.2312	Probe Ø25x5mm (2 pieces)	●	●		
811.6306	Wooden box for UL4 400 and 600mm	●	●		
811.6310	Wooden box for UL4 1000mm	●	●		
811.6315	Wooden box for UL4 1500mm	●	●		

See also cables chapter

Ultra light caliper

BASIC INSTRUMENT

- Instrument according to technical specifications
- Lithium battery CR2477 included
- Adapter for Lithium battery CR2032
- Instruction manual
- Calibration certificate for UL4 up to 1500

APPLICATIONS



Internal measure with UL4



External measure with UL4



UL4, movable left jaw