

DESCRIPTION

- Digital multifunctional unit with 7" touch screen display
- Multi-brands compatible through M-BUS multiplexers (possibility to mix the brands)
- Designed for multigauging applications
- Up to 99 input (probes, instruments, I/O) through M-BUS multiplexers
- Automatic detection of connected instruments
- Storage of up to 128 different parts configurations
- Up to 30'000 measurements can be saved by configuration
- Display of up to 32 channels simultaneously (on the same screen) or distributed up to 32 pages
- Single or multi-gauging display mode
- SPC functions (run chart, pareto, histogram with Gauss curve, etc.)
- PLC functions and PLC communication protocols
- Formula editor, free combination between all instruments connected to the M-BUS
- Configurable by PC
- Ethernet connection with Modbus TCP
- Multifunction footpedal input
- User friendly interface
- Very robust construction (Aluminium)
- table or panel mounting

Large touchscreen 7" protected against liquids IP65



USB



804.1210



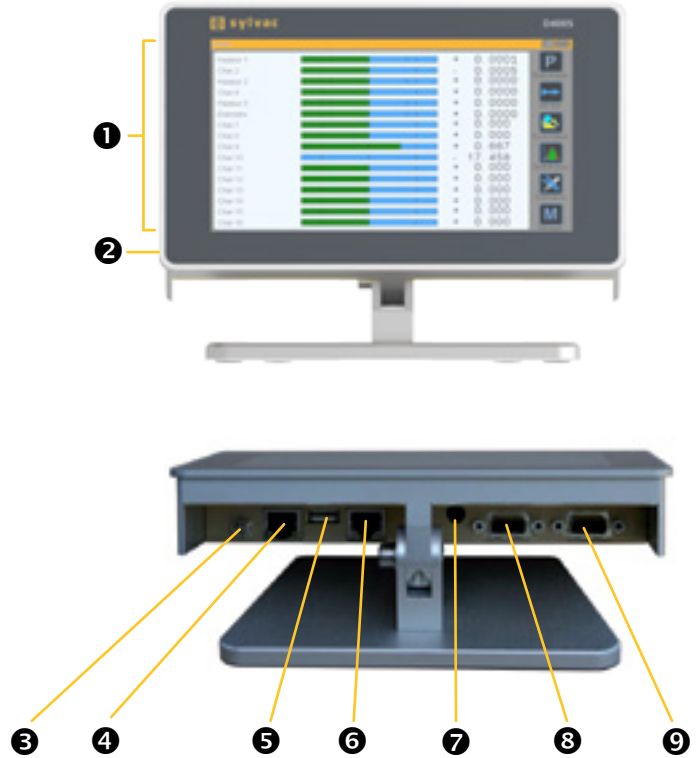
925.5609

Digital display

D400S

INTERFACE | HARDWARE

- ① Customizable display interface
- ② Aluminium body
- ③ 12VDC/30VDC Power supply
- ④ RJ-45 Ethernet TCP4
- ⑤ USB host (for usb key)
- ⑥ USB device (virtual keyboard)
- ⑦ Footswitch
- ⑧ M-bus
- ⑨ RS232



TECHNICAL SPECIFICATIONS

		804.2400
Model		D400S
Overall dimensions	mm	200x143x151.6
Weight	kg	1.3
Case		Aluminium
Protection rating according to IEC 60529		IP65 (front face)
S_Connect		mini-usb / RS232
Programmable by PC		●

E

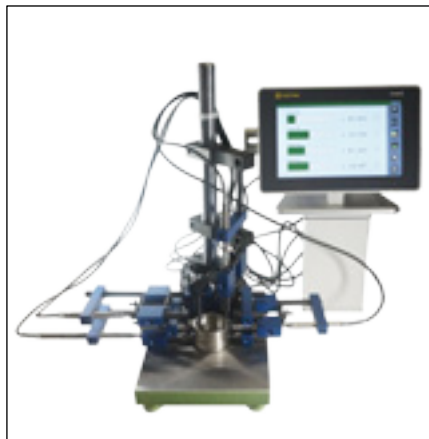
BASIC INSTRUMENT

- Unit according to technical specifications
- Charging unit
- Instruction manual

APPLICATIONS



Probes connection through M-BUS inputs



Inductive probes connection on a jig



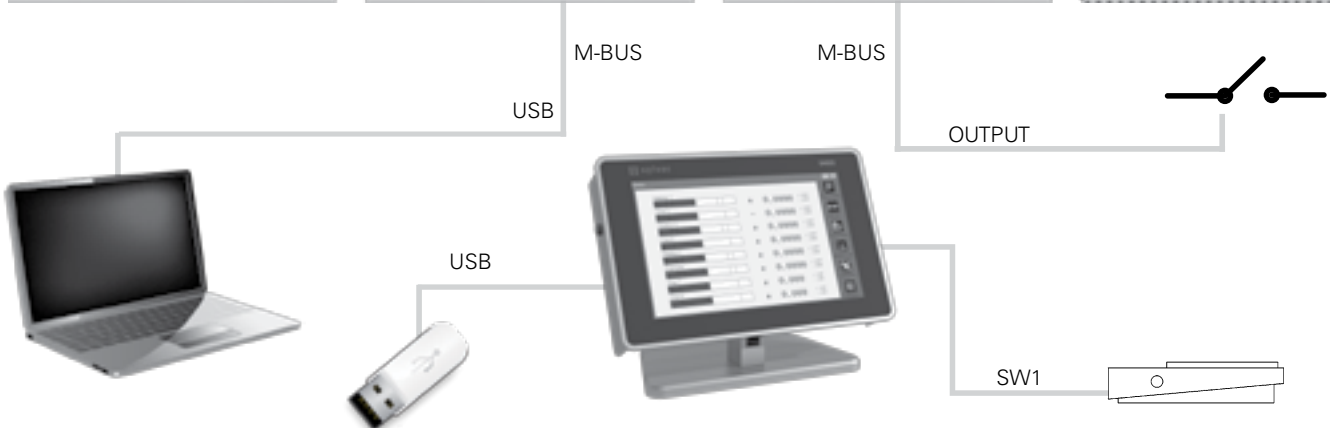
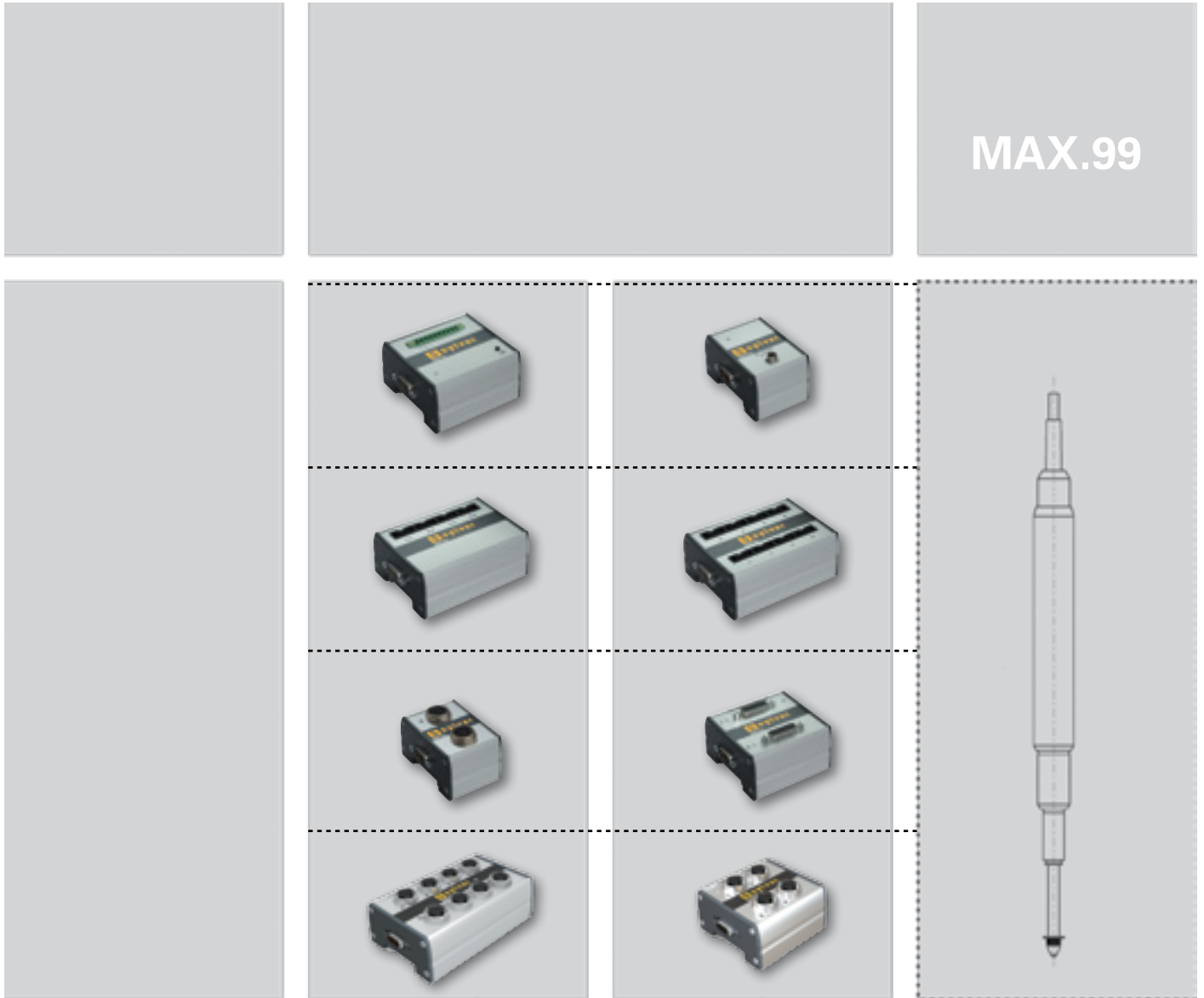
Probes and indicators connection through M-BUS inputs

Digital display

D400S

POSSIBILITIES OF CONNECTION WITH ACCESSORIES

MAX.99



E