

DIGITAL INDICATORS S_DIAL

The electronic indicators are equipped with a linear sensor and an engraved scale glued on the measuring spindle. A sensor replaces the gears. The analogic display is transformed into a digital display.

The SYLVAC electronic indicator program covers the entire range of mechanical indicators with resolutions 0.1 to 0.0001mm and measuring range up to 150mm, and with much better accuracy.

Sylvac inductive measuring system (patented)

Data output

Power supply: Lithium battery 3V, Type CR 2032

Operational temperature: +5 to +40°C

mm/inch conversion



SUMMARY OF ALL TYPES

	S233								S234		S_Dial ONE						S_Dial WORK BASIC						ANALOG NANO BT			
	905.4121	905.4125	905.4140	905.4521	905.4525	905.4540	905.4511	905.4515	905.4527	905.4321	905.4322	905.0121	905.0131	905.0141	905.0151	905.0161	905.0171	805.1201	805.1301	805.1401	805.1501	805.1601	805.1621	805.6307	805.6507	
RANGE																										
0.5 mm											•															
0.8 mm										•																
5 mm			•			•	•	•																		
12.5 mm	•	•		•	•				•			•	•					•	•						•	
25 mm														•	•					•	•				•	
50 mm															•	•						•	•		•	
100 mm																•	•									
150 mm																	•	•								
RESOLUTION																										
0.01 mm	•	•	•									•		•		•		•		•		•			•	•
0.001 mm				•	•	•	•	•	•	•	•		•		•		•		•		•		•		•	•
0.0001 mm																									•	•
MECHANIC																										
Diameter 8 mm h6	•	•	•	•	•	•	•	•	•			•	•	•	•	•	•	•	•	•	•	•	•	•	•	•
Diameter 25mm g7																										
Dove tail	•	•	•	•	•	•	•	•	•	•	•															
M1.4 contact point										•	•															
M2.5 contact point	•	•	•	•	•	•	•	•	•			•	•	•	•	•	•	•	•	•	•	•	•	•	•	•
Rubber boot		•			•		•																			
IP65 (IEC 60529)	•	•	•	•	•	•	•	•	•	•	•			•	•	•	•									
IP67 (IEC 60529)												•	•	•	•	•	•									
DIAL																										
Diameter 44 mm	•	•	•	•	•	•	•	•	•	•	•															
Diameter 60 mm												•	•	•	•	•	•	•	•	•	•	•	•	•	•	•
Rotating										•	•														•	•
Vertical display			•			•																				
FUNCTIONS																										
mm/inch	•	•	•	•	•	•	•	•	•	•	•	•	•	•	•	•	•	•	•	•	•	•	•	•	•	•
Preset	•	•	•	•	•	•		•				•	•	•	•	•	•	•	•	•	•	•	•	•	•	•
Preset onMin/Max																									•	•
Measuring direction	•	•	•	•	•	•		•				•	•	•	•	•	•	•	•	•	•	•	•	•	•	•
Hold	•	•	•	•	•	•		•																	•	•
Min / Max / Delta							•	•		•	•														•	•
Tolerances																									•	•
Function (ABS)	•	•	•	•	•	•		•																	•	•
Absolute system*																		•	•	•	•	•	•	•	•	•
Auto off	•	•	•	•	•	•	•	•	•	•	•	•	•	•	•	•	•	•	•	•	•	•	•	•	•	•
Analog display							•	•		•	•														•	•
Setting by PC	•	•	•	•	•	•	•	•	•			•	•	•	•	•	•	•	•	•	•	•	•	•	•	•
Programmable menus																									•	•
Powered by connector	•	•	•	•	•	•	•	•	•	•	•	•	•	•	•	•	•	•	•	•	•	•	•	•	•	•
Multiplication factor								•																•	•	

Digital indicators

S_Dial

SUMMARY OF ALL TYPES

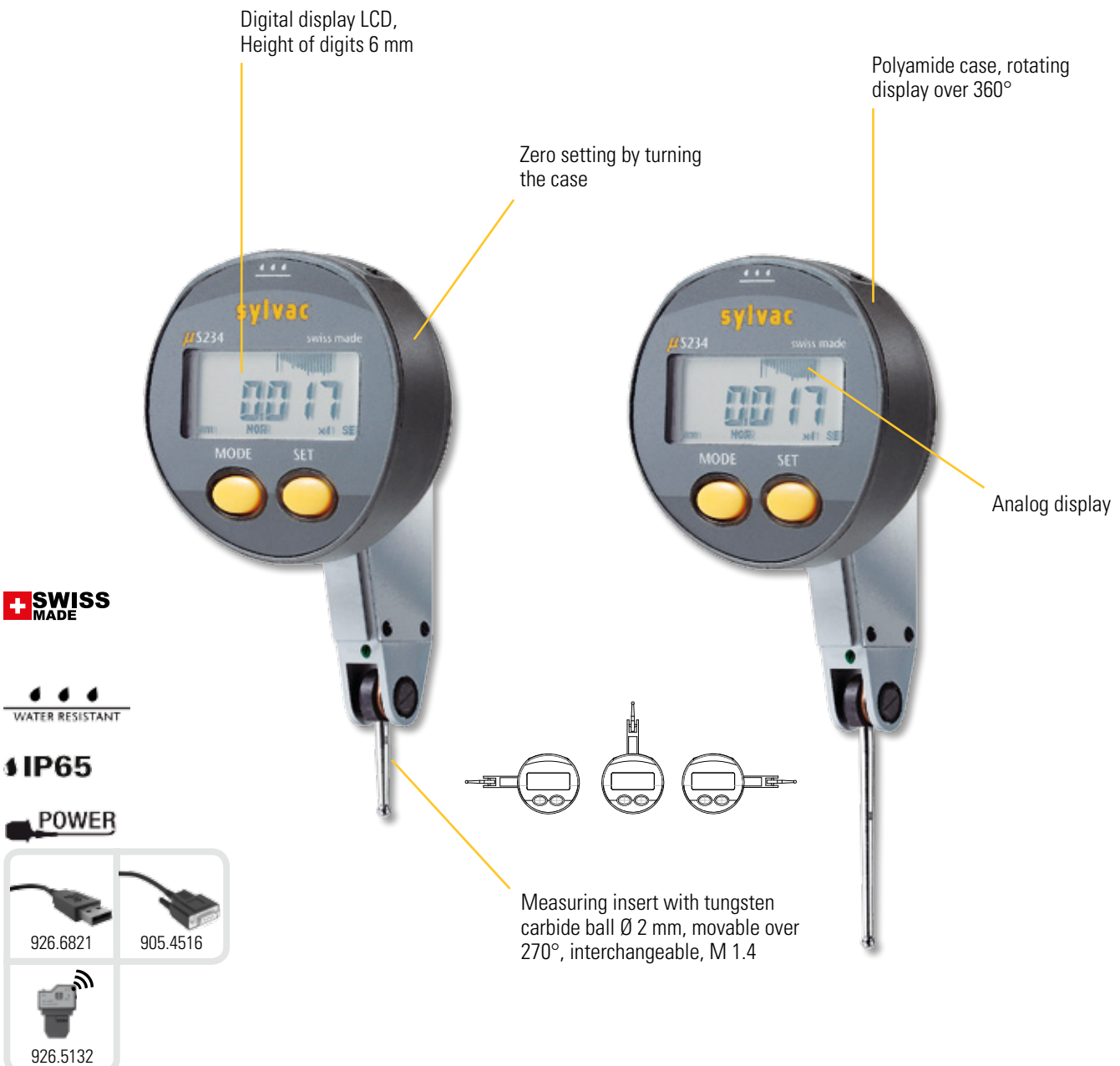
	S_Dial WORK																S_Dial PRO											
	ADVANCED								ADVANCED IP67				BLUETOOTH® Smart				NANO & NANO BT				ANALOG		BASIC					
	805.5201	805.5301	805.5401	805.5501	805.5601	805.5621	805.5641	805.5661	805.5671	805.5681	805.5305	805.5505	805.5625	805.6301	805.6501	805.6621	805.6661	805.5306	805.5506	805.6306	805.6506	805.6306	805.6506	805.8601	805.8602	805.8701	805.8702	
RANGE																												
0.5 mm																												
0.8 mm																												
5 mm																												
12.5 mm	•	•									•			•				•		•		•						
25 mm			•	•								•			•				•			•		•				
50 mm					•	•							•		•							•		•	•	•	•	•
100 mm							•	•									•											
150 mm									•	•																		
RESOLUTION																												
0.01 mm	•		•		•		•		•																			
0.001 mm		•		•		•		•		•	•		•		•		•						•	•				
0.0001 mm																		•	•	•	•			•	•	•	•	•
MECHANIC																												
Diameter 8 mm h6	•	•	•	•	•	•	•	•	•	•	•	•	•	•	•	•	•	•	•	•	•	•	•	•	•	•	•	•
Diameter 25 mm g7																										•		•
Spring																									•	•		
M1.4 contact point																												
M2.5 contact point	•	•	•	•	•	•	•	•	•	•	•	•	•	•	•	•	•	•	•	•	•	•	•	•	•	•	•	•
Rubber boot											•	•	•															
IP65 (IEC 60529)											•	•	•															
IP67 (IEC 60529)											•	•	•															
DIAL																												
Diameter 44 mm																												
Diameter 60 mm	•	•	•	•	•	•	•	•	•	•	•	•	•	•	•	•	•	•	•	•	•	•	•	•	•	•	•	•
Rotating	•	•	•	•	•	•	•	•	•	•	•	•	•	•	•	•	•	•	•	•	•	•	•	•	•	•	•	•
FUNCTIONS																												
mm/inch	•	•	•	•	•	•	•	•	•	•	•	•	•	•	•	•	•	•	•	•	•	•	•	•	•	•	•	•
Preset	•	•	•	•	•	•	•	•	•	•	•	•	•	•	•	•	•	•	•	•	•	•	•	•	•	•	•	•
Preset on Min/Max																							•	•				
Measuring direction	•	•	•	•	•	•	•	•	•	•	•	•	•	•	•	•	•	•	•	•	•	•	•	•	•	•	•	•
Hold	•	•	•	•	•	•	•	•	•	•	•	•	•	•	•	•	•	•	•	•	•	•	•	•	•	•	•	•
Min / Max / Delta	•	•	•	•	•	•	•	•	•	•	•	•	•	•	•	•	•	•	•	•	•	•	•	•	•	•	•	•
Tolerances	•	•	•	•	•	•	•	•	•	•	•	•	•	•	•	•	•	•	•	•	•	•	•	•	•	•	•	•
Absolute system*	•	•	•	•	•	•	•	•	•	•	•	•	•	•	•	•	•	•	•	•	•	•	•	•	•	•	•	•
Auto off	•	•	•	•	•	•	•	•	•	•	•	•	•	•	•	•	•	•	•	•	•	•	•	•	•	•	•	•
Analog display																							•	•				
BLUETOOTH® Smart														•	•	•	•				•	•						
Setting by PC	•	•	•	•	•	•	•	•	•	•	•	•	•	•	•	•	•	•	•	•	•	•	•	•	•	•	•	•
Programmable menus	•	•	•	•	•	•	•	•	•	•	•	•	•	•	•	•	•	•	•	•	•	•	•	•	•	•	•	•
Powered by connector	•	•	•	•	•	•	•	•	•	•	•	•	•	•	•	•	•	•	•	•	•	•	•	•	•	•	•	•
Multiplication factor	•	•	•	•	•	•	•	•	•	•	•	•	•	•	•	•	•	•	•	•	•	•	•	•	•	•	•	•
Ref I / II	•	•	•	•	•	•	•	•	•	•	•	•	•	•	•	•	•	•	•	•	•	•	•	•	•	•	•	•

Digital test indicators

S_Dial S234

DESCRIPTION

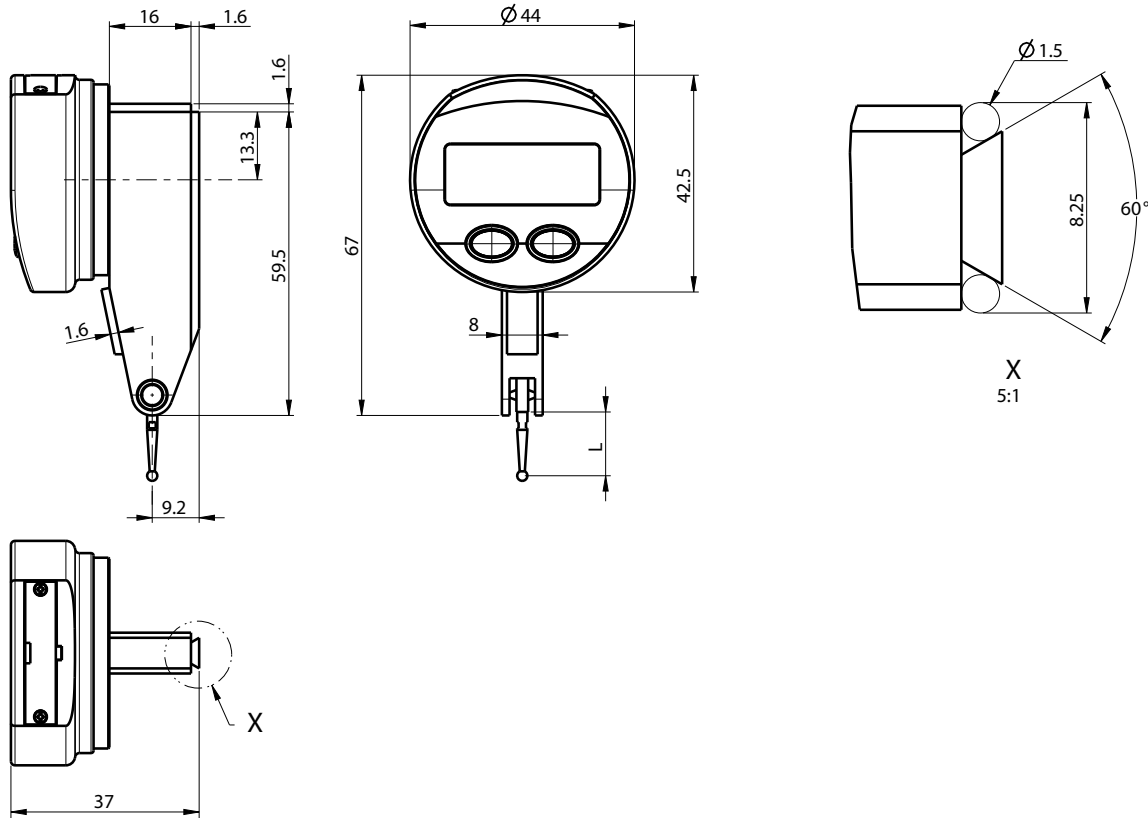
- Digital and analog display
- Water and coolant resistant
- Data output RS 232 combined with external power
- Automatic switch OFF
- Stem Ø 8 mm and dovetail back
- Rotating display over 360°



Digital test indicators

S_Dial S234

DIMENSIONAL DRAWING



TECHNICAL SPECIFICATIONS

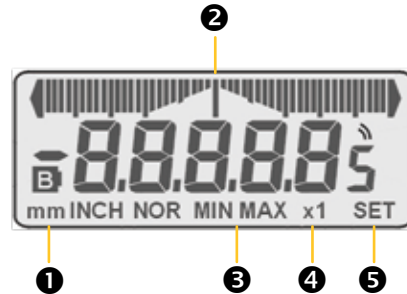
		905.4321	905.4322
Measuring range	mm	0.8	0.5
Probe length	mm	12.5	36.5
Max Error fe	µm	10	10
Hysteresis fu	µm	3 ¹⁾	4 ¹⁾
Resolution	mm	0.001	0.001
Repeatability	µm	3	3
Measuring force	N	0.13 ± 15%	0.07 ± 15%
Weight		75	75
Protection rating according to IEC 60529		IP65	
S_Connect : Power		USB / RS232 / Wireless ²⁾	
Zero setting		●	
min / max / delta display		●	
Analog scale range ratio		●	
Selection of resolution		●	
Preset		max 99.999	

¹⁾ ± 1 digit

²⁾ see cables chapter

DISPLAY

- ① Direct mm/inch conversion
- ② Analog display
- ③ Min/max/delta mode
- ④ Analogic resolution display
- ⑤ Zero setting



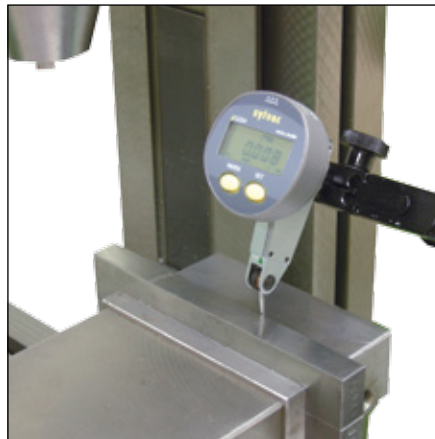
BASIC INSTRUMENT

- Instrument according to technical specifications
- Lithium battery CR2032 included
- Instruction manual
- Stem \varnothing 8 mm

APPLICATIONS



Run-out measurement



Checking the alignment on milling machine.

Mini digital indicators

S_Dial S233

DESCRIPTION

- Compact, small diameter (Ø44 mm)
- Water and coolant resistant, protection rating IP65 according to IEC 60529
- Data output RS 232 combined with external power supply.
- Interchangeable contact point M2.5
- Clamping stem Ø 8-h6 of hardened and ground stainless steel. Dovetail back
- Automatic power shut down

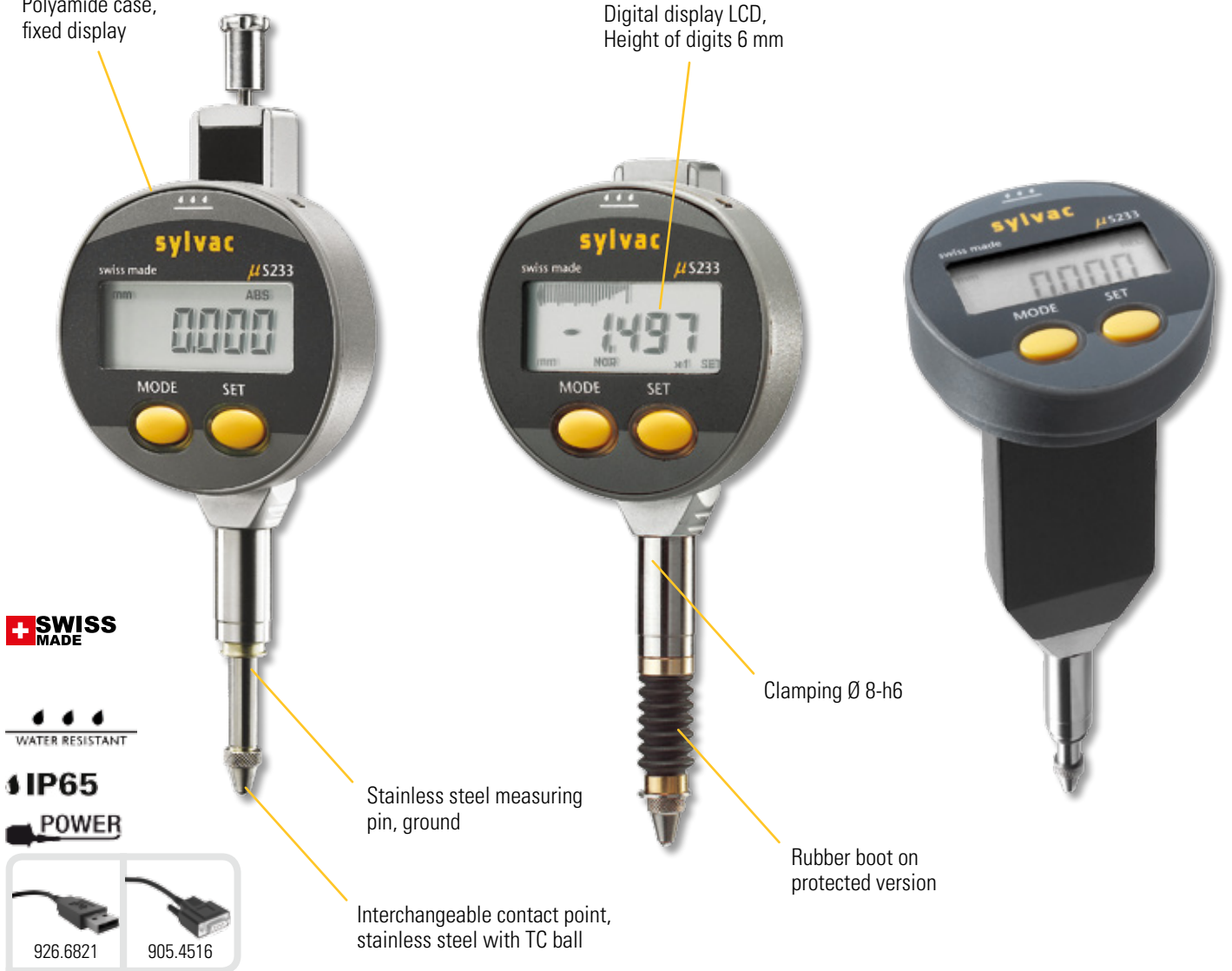
Standard

Analog

Vertical

Polyamide case, fixed display

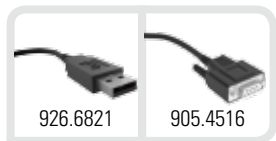
Digital display LCD, Height of digits 6 mm



SWISS MADE

WATER RESISTANT

IP65 POWER



926.6821

905.4516



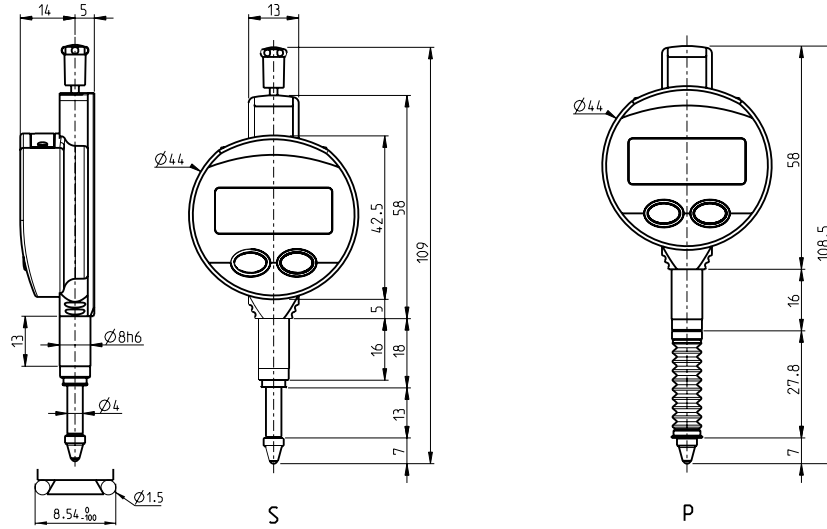
926.5132

Mini digital indicators

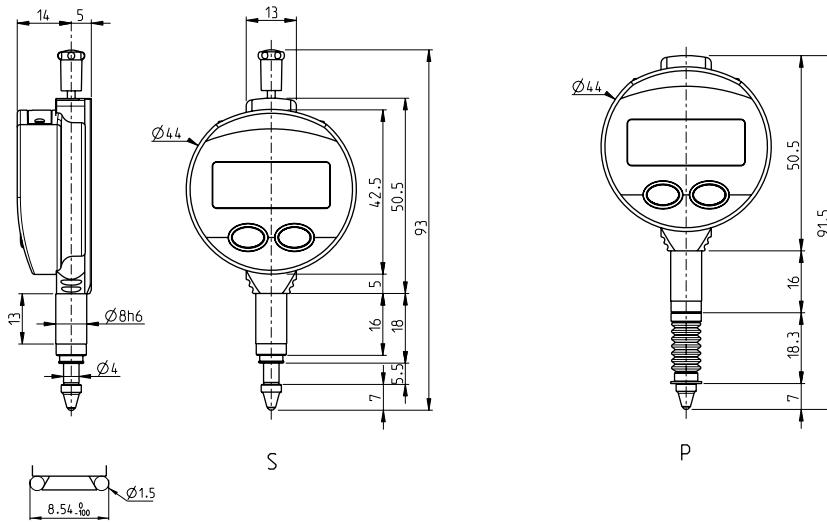
S_Dial S233

DIMENSIONAL DRAWINGS

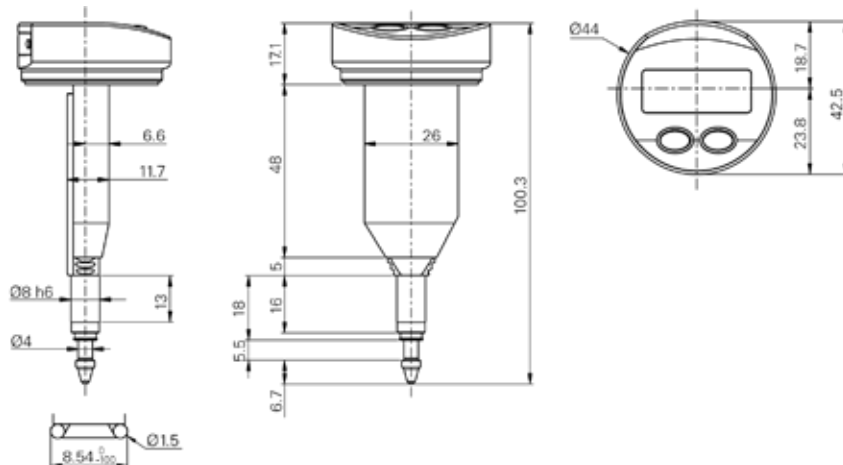
Standard



Analog



Vertical



S = standard

P = protected

Mini digital indicators

S_Dial S233

TECHNICAL SPECIFICATIONS

		905.4140	905.4540	905.4511	905.4515
Measuring range	mm	5	5	5	5
Display 90°		●	●	---	---
Analog scale		---	---	●	●
Resolution	mm	0.01	0.001	0.001	0.001
Execution ³⁾		S	S	S	P
Max. Error fe	µm	10 ¹⁾	5	4	4
Repeatability	µm	2	2	2	2
Measuring force	N	0.50 - 0.65 ²⁾	0.50 - 0.65 ²⁾	0.50 - 0.65 ²⁾	0.60 - 1.20 ²⁾
Zero setting		●	●	●	●
REL and ABS measurement		●	●	---	---
Resolution selection		---	●	●	●
PRESET = (max. 130 mm)		●	●	---	---
Min / max / delta display		---	---	●	●
Selection of measuring direction		●	●	---	---
S_Connect : Power		USB / RS232 / Wireless ⁴⁾			
IP rating		IP65			

		905.4121	905.4125	905.4521	905.4525	905.4527
Measuring range	mm	12.5	12.5	12.5	12.5	12.5
Analog scale		---	---	---	---	---
Resolution	mm	0.01	0.01	0.001	0.001	0.001
Execution ³⁾		S	P	S	P	S
Max. Error fe	µm	10 ¹⁾	10 ¹⁾	5	5	5
Repeatability	µm	2	2	2	2	2
Measuring force	N	0.5 - 0.90 N	0.6 - 1.3 N	0.5 - 0.90 N	0.6 - 1.3 N	0.5 - 0.90 N
Zero setting				●		
REL and ABS measurement				●		
Resolution selection		---	---	●	●	●
PRESET = (max. 130 mm)				●		
Min / max / delta display				---		
Selection of measuring direction				●		
Multiplication factor				---		●
S_Connect : Power		USB / RS232 / Wireless ⁴⁾				
IP rating		IP65				

¹⁾ ± 1 digit

²⁾ Values ± 20%, indicator in vertical position, outgoing measuring spindle

³⁾ S = Standard P = Protected

⁴⁾ see cables chapter

Mini digital indicators

S_Dial S233

BASIC INSTRUMENT

- Instrument according to technical specifications
- Lithium battery CR2032 included
- Instruction manual
- Calibration certificate for instruments with resolution 0.001 mm

MEASURING FORCE FOR RANGE 12.5 mm

	S	P
Standard	0.5 - 0.90 N	0.6 - 1.3 N
Low ¹⁾	0.35 - 0.50 N	---
High ¹⁾	1.80 - 2.3 N	---

Tolerance $\pm 20\%$, indicator in vertical position, spindle in outgoing measurement.

¹⁾ on request

APPLICATIONS



Checking of an internal \varnothing with a mechanical device



Measurement of the vertical displacement of an element



Measurement of internal chamfer

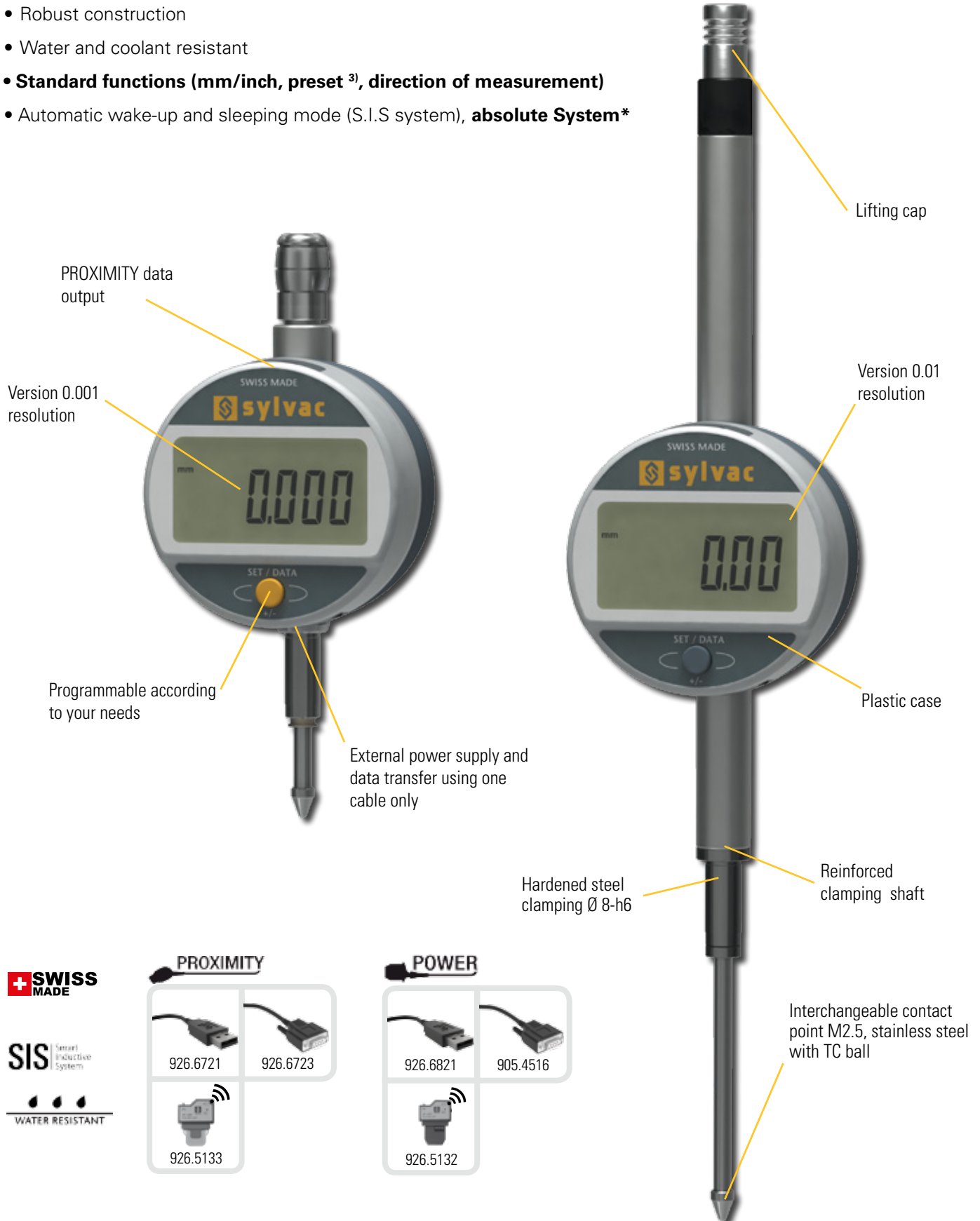
Digital indicators

S_Dial WORK

DESCRIPTION

BASIC

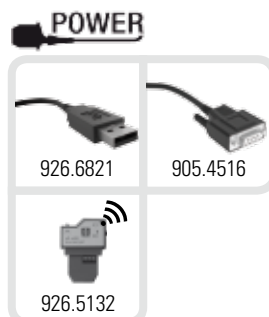
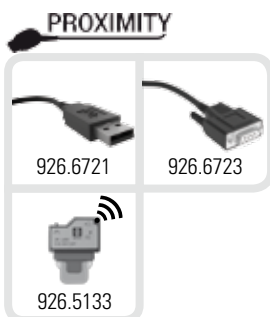
- Robust construction
- Water and coolant resistant
- **Standard functions (mm/inch, preset ³⁾, direction of measurement)**
- Automatic wake-up and sleeping mode (S.I.S system), **absolute System***



SWISS MADE

SIS Smart Inductive System

WATER RESISTANT



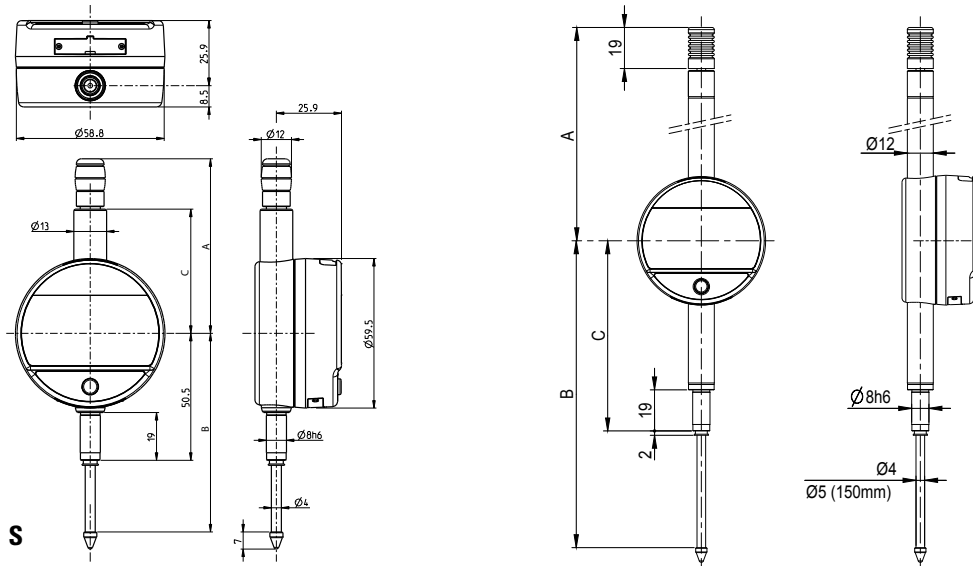
* SIS description on page 5

Digital indicators

S_Dial WORK

DIMENSIONAL DRAWINGS

BASIC



TECHNICAL SPECIFICATIONS

		805.1201	805.1301	805.1401	805.1501	805.1601	805.1621
Measuring range	mm	12.5	12.5	25	25	50	50
Resolution	mm	0.01	0.001	0.01	0.001	0.01	0.001
Max. Error fe	µm	10 ¹⁾	4	10 ¹⁾	5	20 ¹⁾	7
Repeatability	µm	2					
IP rating		IP51					
A		56.7		69.4		121	
B		66.1		79		142	
C		36.6		49.4		88	
S_Connect : Proximity / Power		USB / RS232 / Wireless					
Programmable by PC		●					
Standard functions (customized by PC)		mm/inch, preset ²⁾ (max 999.999), direction of measurement					

¹⁾ ± 1 digit

²⁾ Preset configuration only by PC

BASIC INSTRUMENT

MEASURING FORCE

		S 12.5	S 25	S 50
• Instrument according to technical specifications				
• Lithium battery CR2032 included				
• Instruction manual				
• Calibration certificate for instruments 0.001 mm				
Standard	N	0.65 - 0.90	0.65 - 1.15	1.4 - 2.9
Low ³⁾	N	0.4 - 0.55	0.45 - 0.9	---
High ³⁾	N	1.0 - 1.6	0.9 - 1.8	---

Tolerance ± 20%, spindle in outgoing measurement position.
²³⁾ on request

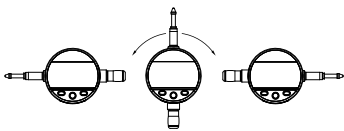
Digital indicators

S_Dial WORK

DESCRIPTION

ADVANCED

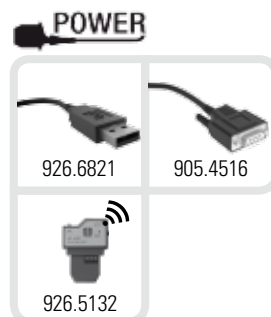
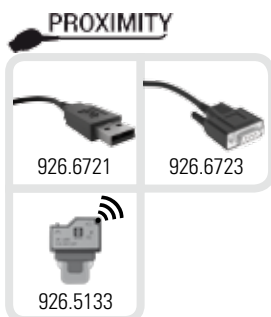
- Robust construction
- Water and coolant resistant
- New technology with configurable menus
- **Broad choice of functions (MIN/MAX/DELTA, TOL, Factor, PRESET, AUTO OFF, etc.)**
- Automatic wake-up and sleeping mode (S.I.S system), **absolute System***
- **Maximum error of 3 µm**



SWISS MADE

SIS Smart Indicator System

WATER RESISTANT



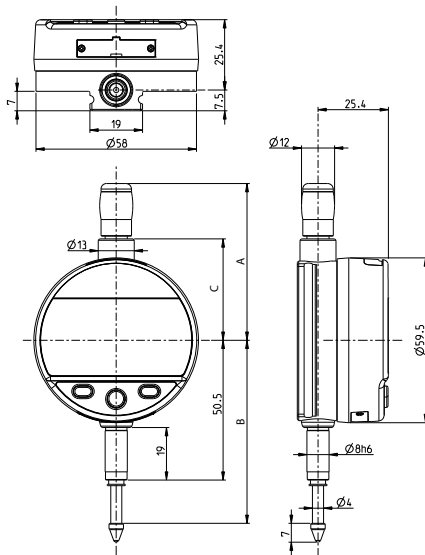
* SIS description on page 5

Digital indicators

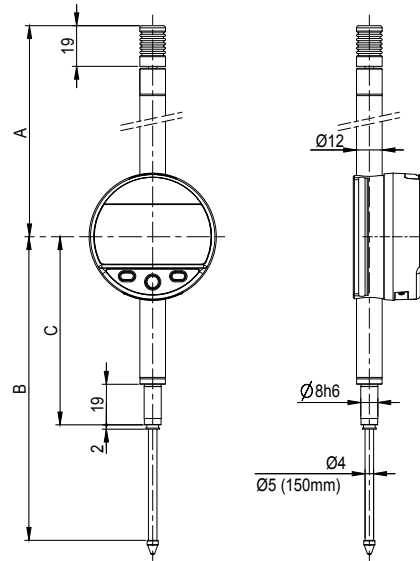
S_Dial WORK

DIMENSIONAL DRAWINGS

ADVANCED



S 12.5-25mm



S 50-150mm

TECHNICAL SPECIFICATIONS

		805.5201	805.5301	805.5401	805.5501	805.5601	805.5621	805.5641	805.5661	805.5671	805.5681
Measuring range	mm	12.5	12.5	25	25	50	50	100	100	150	150
Resolution	mm	0.01	0.001	0.01	0.001	0.01	0.001	0.01	0.001	0.01	0.001
Max. Error fe	µm	10 ¹⁾	3	10 ¹⁾	4	20 ¹⁾	5	20 ¹⁾	6	20 ¹⁾	10
Repeatability	µm	2									
IP rating		IP51									
A	mm	56.6		69.3		121		172		224	
B	mm	66.1		79		142		244		349	
C	mm	36.6		49.4		88		139		193	
S_Connect : Proximity / Power		USB / RS232 / Wireless									
Programmable by PC		●									
Standard functions (customized by PC)		mm/inch, ref I/II, preset (max 999.999) min/max/delta, tolerances, resolution, direction of measurement, multiplication factor, automatic or manual switch off, key lock									

¹⁾ ± 1 digit

BASIC INSTRUMENT

MEASURING FORCE

			12.5	25	50	100	150
● Instrument according to technical specifications							
● Lithium battery CR2032 included							
● Instruction manual							
● Calibration certificate for instruments 0.001 mm							
	Standard	N	0.65 - 0.9	0.65 - 1.15	1.4 - 2.9	1.8 - 3.8	2.6 - 5.7
	Low ²⁾	N	0.4 - 0.55	0.45 - 0.9		---	---
	High ²⁾	N	1.0 - 1.6	0.9 - 1.8		---	---

Tolerance ± 20%, spindle in outgoing measurement position.
²⁾ on request

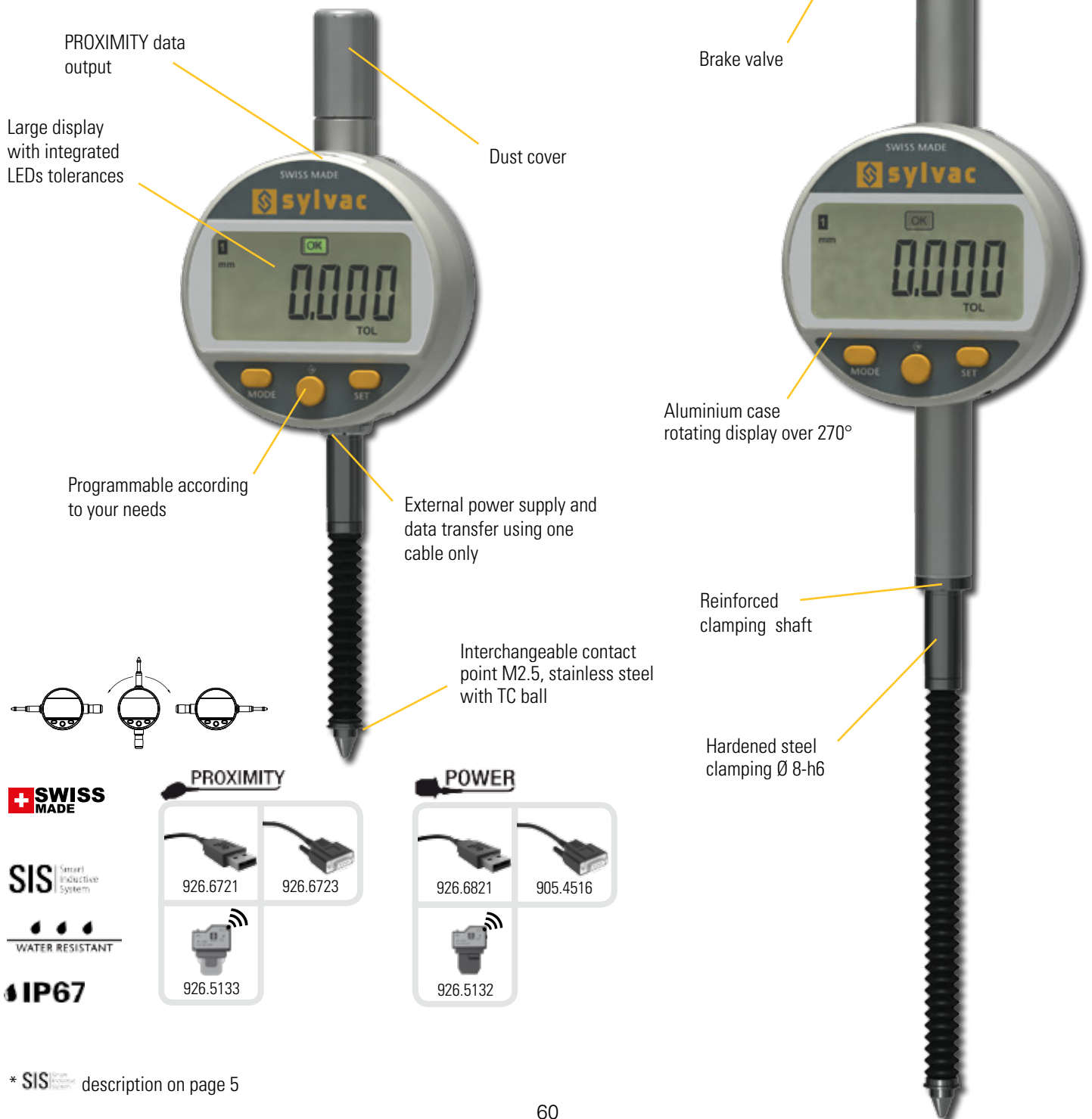
Digital indicators

S_Dial WORK

DESCRIPTION

ADVANCED IP67

- Robust construction
- Water and coolant resistant
- Protection rating IP67 according to IEC 60529, **even connected**
- New technology with configurable menus
- **Broad choice of functions (MIN/MAX/DELTA, TOL, Factor, PRESET, AUTO OFF, etc.)**
- Automatic wake-up and sleeping mode (S.I.S system), **absolute System**
- **Maximum error of 3 µm**



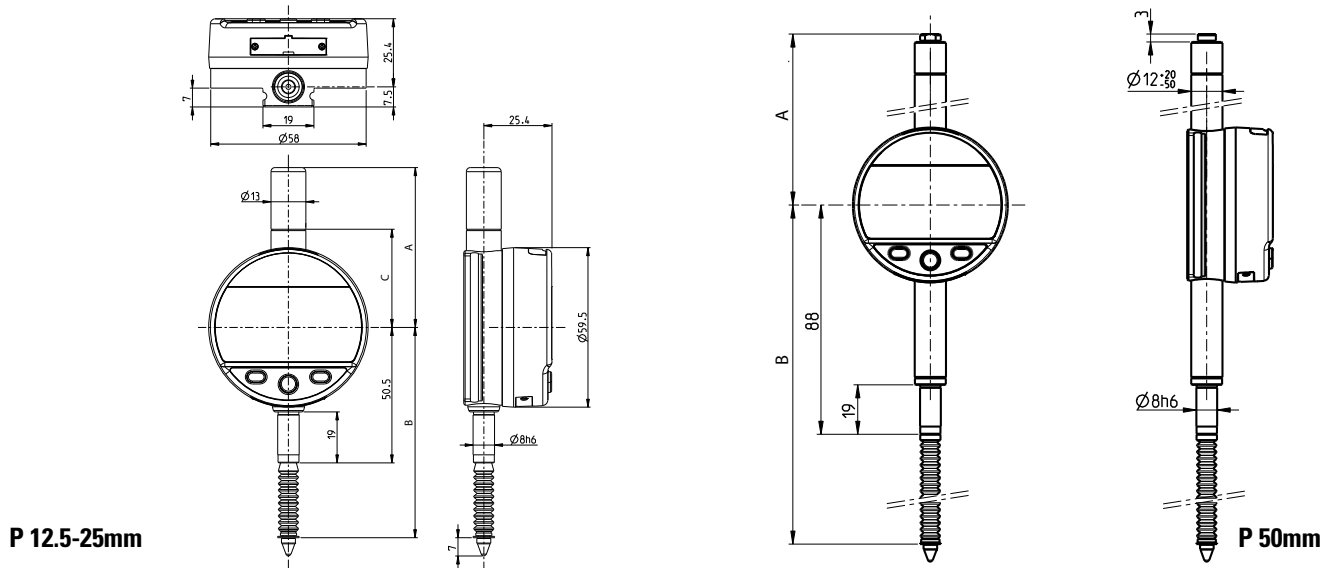
* SIS description on page 5

Digital indicators

S_Dial WORK

DIMENSIONAL DRAWINGS

ADVANCED IP67



TECHNICAL SPECIFICATIONS

		805.5305	805.5505	805.5625
Measuring range	mm	12.5	25	50
Resolution	mm	0.001	0.001	0.001
Max. Error fe	µm	3	4	5
Repeatability	µm		2	
IP rating			IP67	
A	mm	59.6	85.4	104.4
B	mm	78.4	100.2	175.4
C	mm	36.6	49.4	-
S_Connect : Proximity / Power		USB / RS232 / Wireless		
Programmable by PC		●		
Standard functions (customized by PC)		mm/inch, ref I/II, preset (max 999.999) min/max/delta, tolerances, resolution, direction of measurement, multiplication factor, automatic or manual switch off, key lock		

BASIC INSTRUMENT

MEASURING FORCE

		P 12.5	P 25	P 50
● Instrument according to technical specifications				
● Lithium battery CR2032 included				
● Instruction manual				
● Calibration certificate for instruments 0.001 mm				
Standard	N	0.7 – 1.4	0.65 – 1.8	0.9 – 2.8
Low ²⁾	N	---	---	---
High ²⁾	N	---	---	---

Tolerance ± 20%, spindle in outgoing measurement position.
²⁾ on request

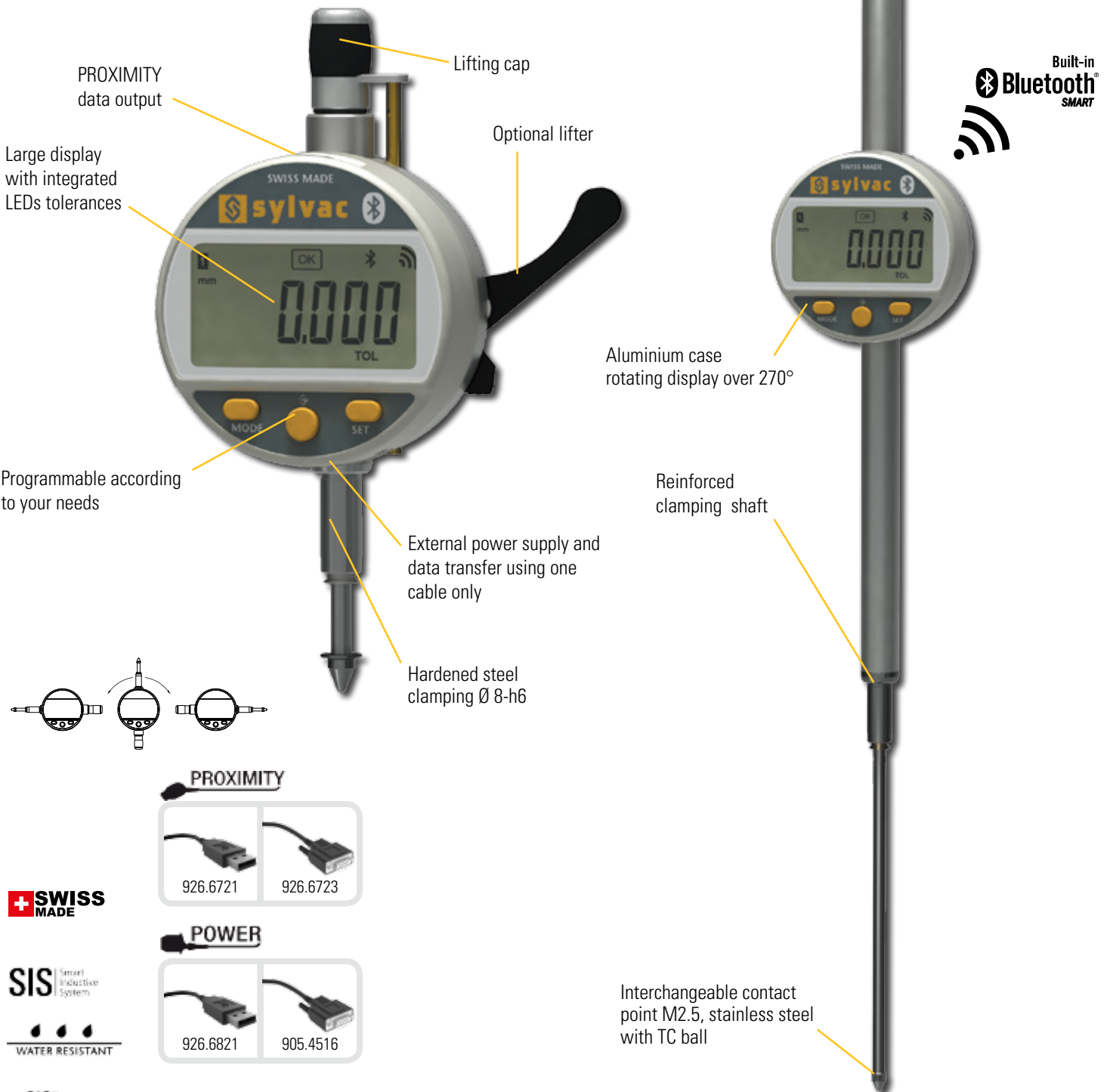
Digital indicators

S_Dial WORK

DESCRIPTION

BLUETOOTH® SMART

- **Integrated Bluetooth[®] SMART data transmission**
- Robust construction
- Water and coolant resistant
- New technology with configurable menus
- **Broad choice of functions (MIN/MAX/DELTA, TOL, Factor, PRESET, AUTO OFF, etc.)**
- Automatic wake-up and sleeping mode (S.I.S system), **absolute System***
- **Maximum error of 3 µm**



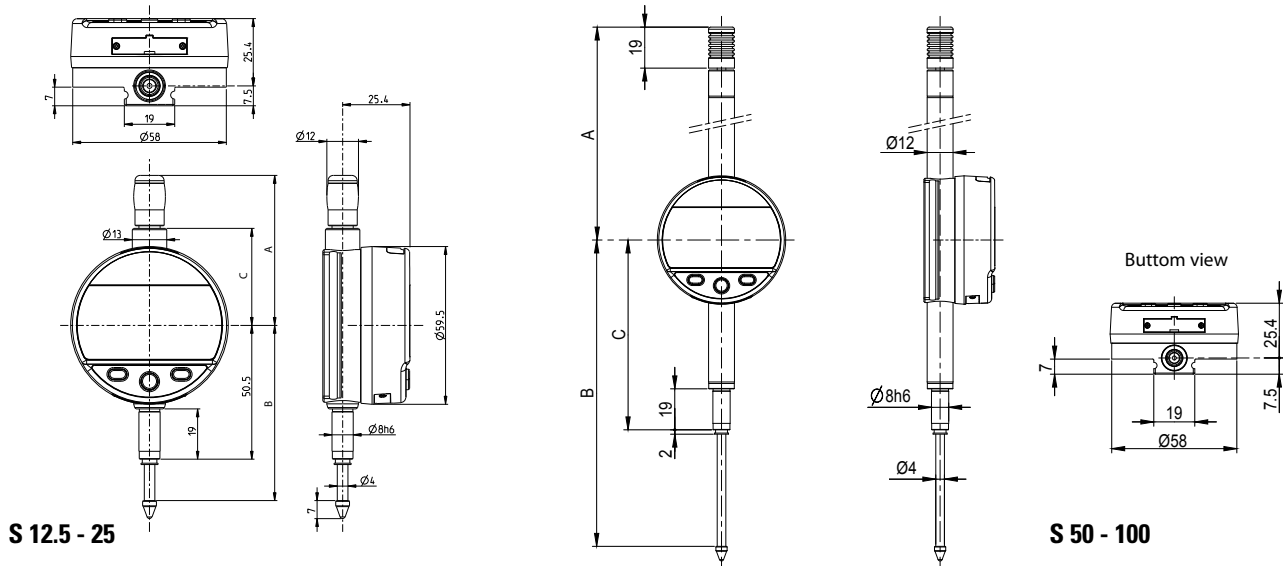
* SIS description on page 5

Digital indicators

S_Dial WORK

DIMENSIONAL DRAWINGS

BLUETOOTH® SMART



TECHNICAL SPECIFICATIONS

		805.6301	805.6501	805.6621	805.6661
Measuring range	mm	12.5	25	50	100
Resolution	mm	0.001	0.001	0.001	0.001
Max. Error fe	µm	3	4	5	6
Repeatability	µm	2			
IP rating		IP51			
A	mm	56.6	69.3	121	172
B	mm	66.1	79	142	244
C	mm	36.6	49.4	88	139
S_Connect : Proximity / Power		USB / RS232 / BLUETOOTH® Smart*			
Programmable by PC		●			
Standard functions (customized by PC)		mm/inch, ref I/II, preset (max 999.999) min/max/delta, tolerances, resolution, direction of measurement, multiplication factor, automatic or manual switch off, key lock			

*** Up to 8 instruments connected per dongle #981.7100**
More informations on How to use Bluetooth® leaflet SYL_1401_EN_BT

BASIC INSTRUMENT

MEASURING FORCE

		12.5	25	50	100
• Instrument according to technical specifications					
• Lithium battery CR2032 included					
• Instruction manual					
• Calibration certificate for instruments 0.001 mm					
Standard	N	0.65 - 0.90	0.65 - 1.15	1.4 - 2.9	1.8 - 3.8
Low ²⁾	N	0.4 - 0.55	0.45 - 0.9	---	---
High ²⁾	N	1.0 - 1.6	0.9 - 1.8	---	---

Tolerance ± 20%, spindle in outgoing measurement position.
²⁾ on request

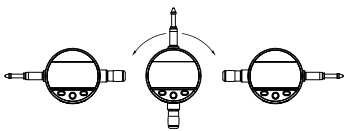
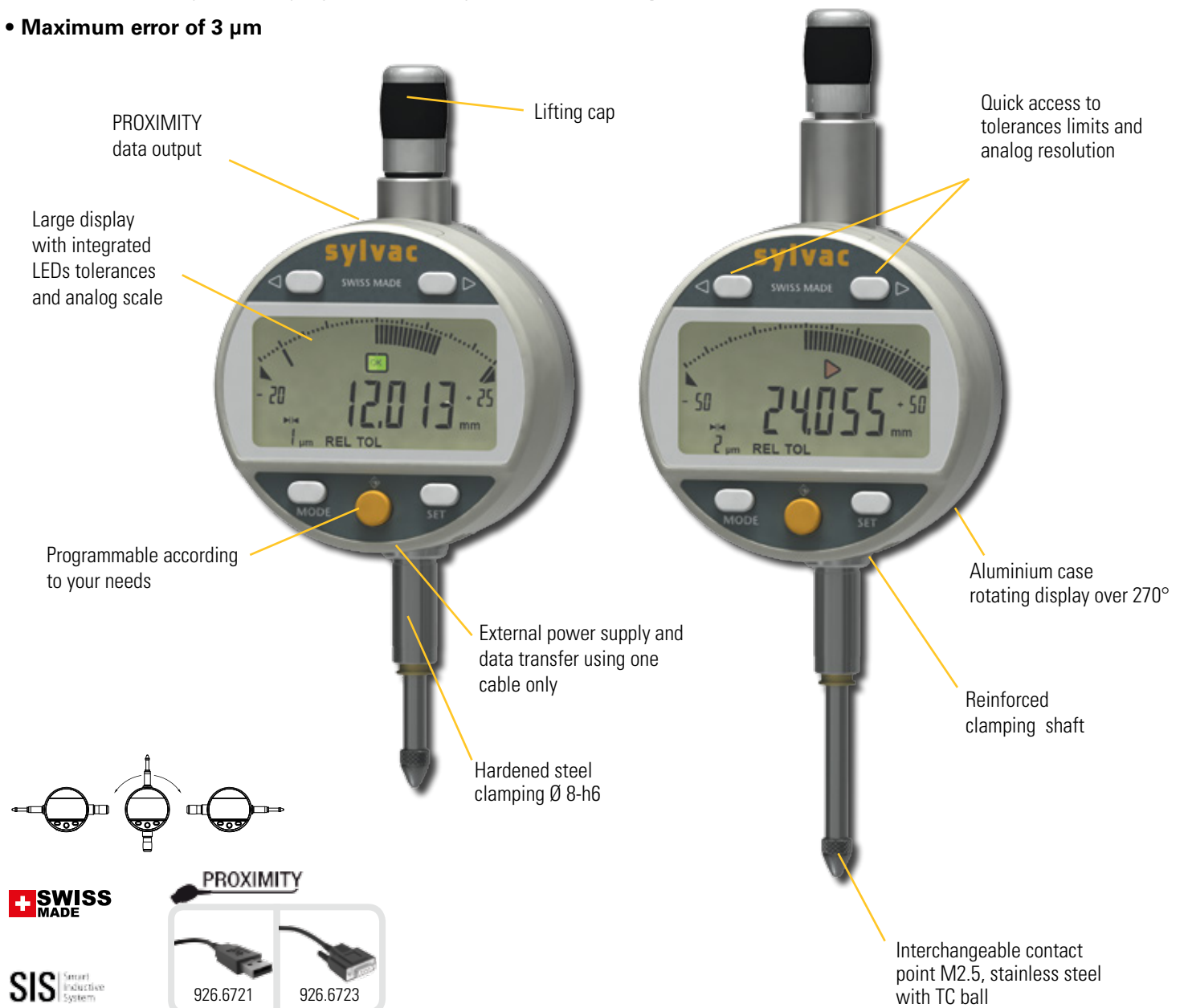
Digital indicators

S_Dial WORK

DESCRIPTION

ANALOG

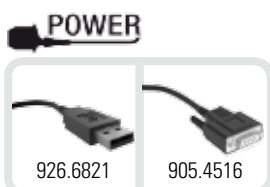
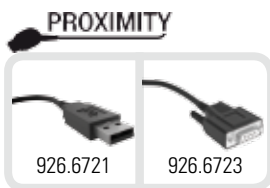
- **Adaptive analog display (up to 0.2 μm per segment)**
- Robust construction
- Water and coolant resistant
- New technology with configurable menus
- **Broad choice of functions (MIN/MAX/DELTA, TOL, Factor, PRESET, AUTO OFF, etc.)**
- Automatic wake-up and sleeping mode (S.I.S system), **absolute System***
- **Maximum error of 3 μm**



SWISS MADE

SIS Smart Inductive System

WATER RESISTANT



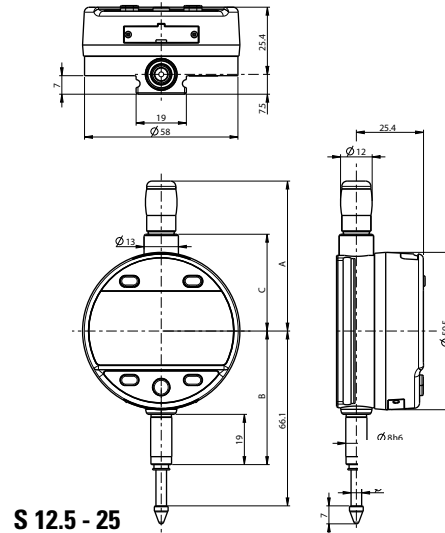
* SIS description on page 5

Digital indicators

S_Dial WORK

DIMENSIONAL DRAWINGS

ANALOG



TECHNICAL SPECIFICATIONS

		805.5307	805.5507
Measuring range	mm	12.5	25
Resolution	mm	0.001	
Max. Error fe	µm	3	4
Repeatability	µm	2	
IP rating		IP51	
A	mm	56.6	69.3
B	mm	66.1	79
C	mm	36.6	49.4
S_Connect : Proximity / Power		USB / RS232	
Programmable by PC		●	
Standard functions (customized by PC)		mm/inch, preset (max 999.999) min/max/delta, tolerances, resolution, direction of measurement, multiplication factor, automatic or manual switch off, key lock	

BASIC INSTRUMENT

MEASURING FORCE

- Instrument according to technical specifications
- Lithium battery CR2032 included
- Instruction manual
- Calibration certificate

		S 12.5	S 25
Standard	N	0.65 - 0.90	0.65 - 1.15
Low ²⁾	N	0.4 - 0.55	0.45 - 0.9
High ²⁾	N	1.0 - 1.6	0.9 - 1.8

Tolerance ± 20%, spindle in outgoing measurement position.

²⁾ on request

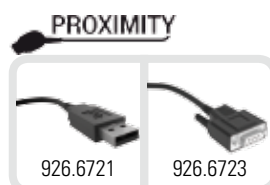
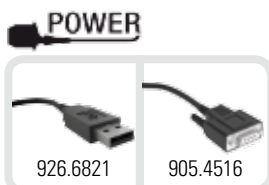
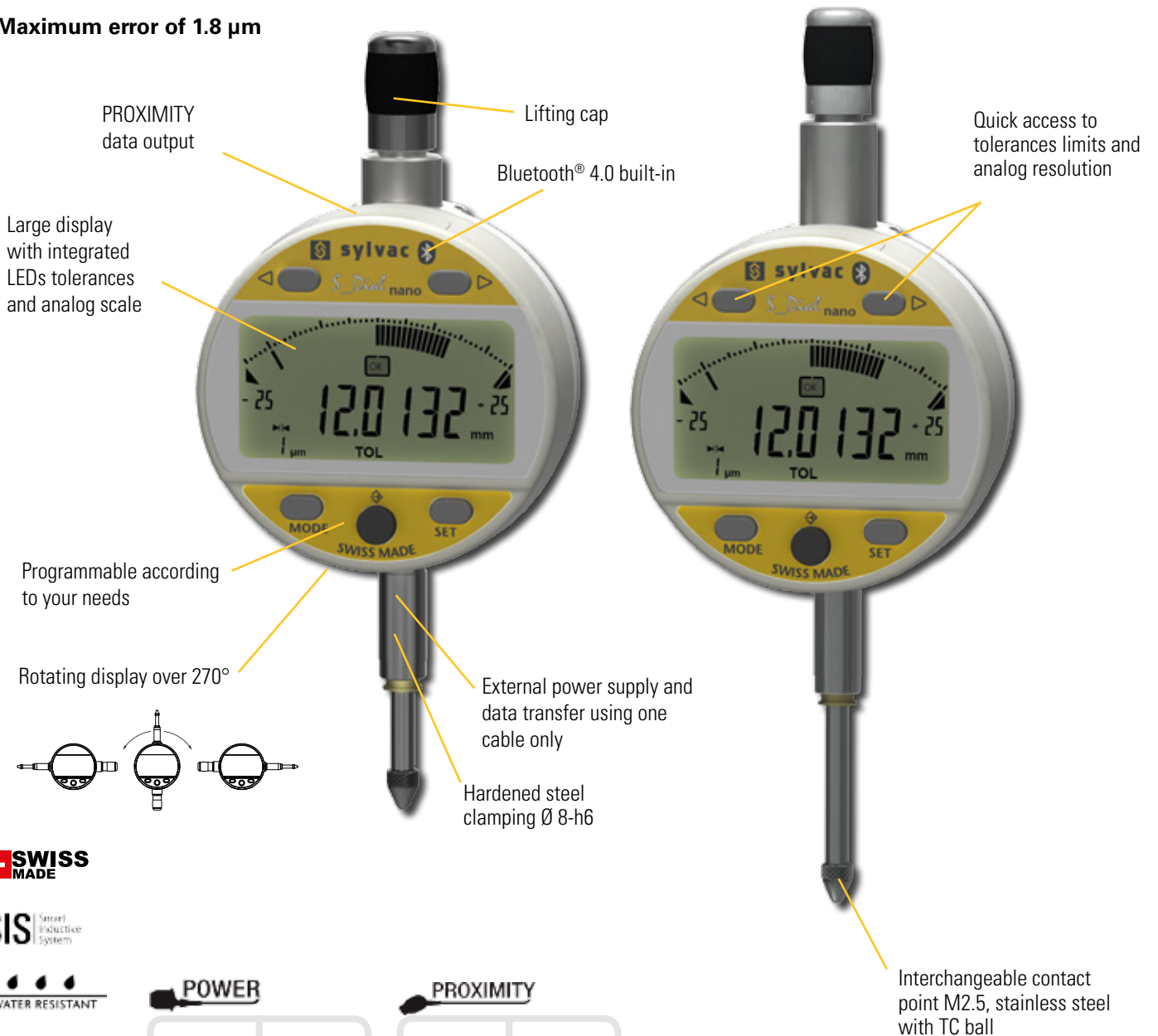
Digital indicators

S_Dial WORK

DESCRIPTION

ANALOG NANO BLUETOOTH®

- **Integrated Bluetooth® data transmission**
- Adaptive analog display (up to 0.1 µm per segment)
- **0,1 µm resolution**
- Robust construction
- Water and coolant resistant
- New technology with configurable menus
- **Broad choice of functions (MIN/MAX/DELTA, TOL, Factor, PRESET, AUTO OFF, etc.)**
- Automatic wake-up and sleeping mode (S.I.S system), **absolute System***
- **Maximum error of 1.8 µm**



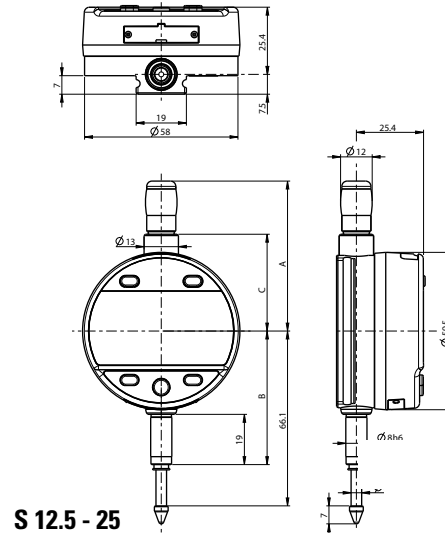
* SIS description on page 5

Digital indicators

S_Dial WORK

DIMENSIONAL DRAWINGS

ANALOG NANO BLUETOOTH®



TECHNICAL SPECIFICATIONS

		805.6307	805.6507
Measuring range	mm	12.5	25
Resolution	mm	0.0001	
Max. Error fe	µm	1.8	2.2
Repeatability	µm	0.5	
IP rating		IP51	
A	mm	56.6	69.3
B	mm	66.1	79
C	mm	36.6	49.4
S_Connect : Proximity / Power		USB / RS232 / BLUETOOTH® 4.0*	
Programmable by PC		●	
Standard functions (customized by PC)		mm/inch, preset (max 99.9999 or 999.999) min/max/delta, tolerances, resolution, direction of measurement, multiplication factor, automatic or manual switch off, key lock	

*** Up to 8 instruments connected per dongle #981.7100**
More informations on How to use Bluetooth® leaflet SYL_1401_EN_BT

BASIC INSTRUMENT

MEASURING FORCE

		S 12.5	S 25
• Instrument according to technical specifications			
• Lithium battery CR2032 included			
• Instruction manual			
• Calibration certificate			
Standard	N	0.65 - 0.90	0.65 - 1.15
Low ²⁾	N	0.4 - 0.55	0.45 - 0.9
High ²⁾	N	1.0 - 1.6	0.9 - 1.8

Tolerance ± 20%, spindle in outgoing measurement position.
²⁾ on request

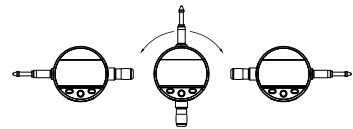
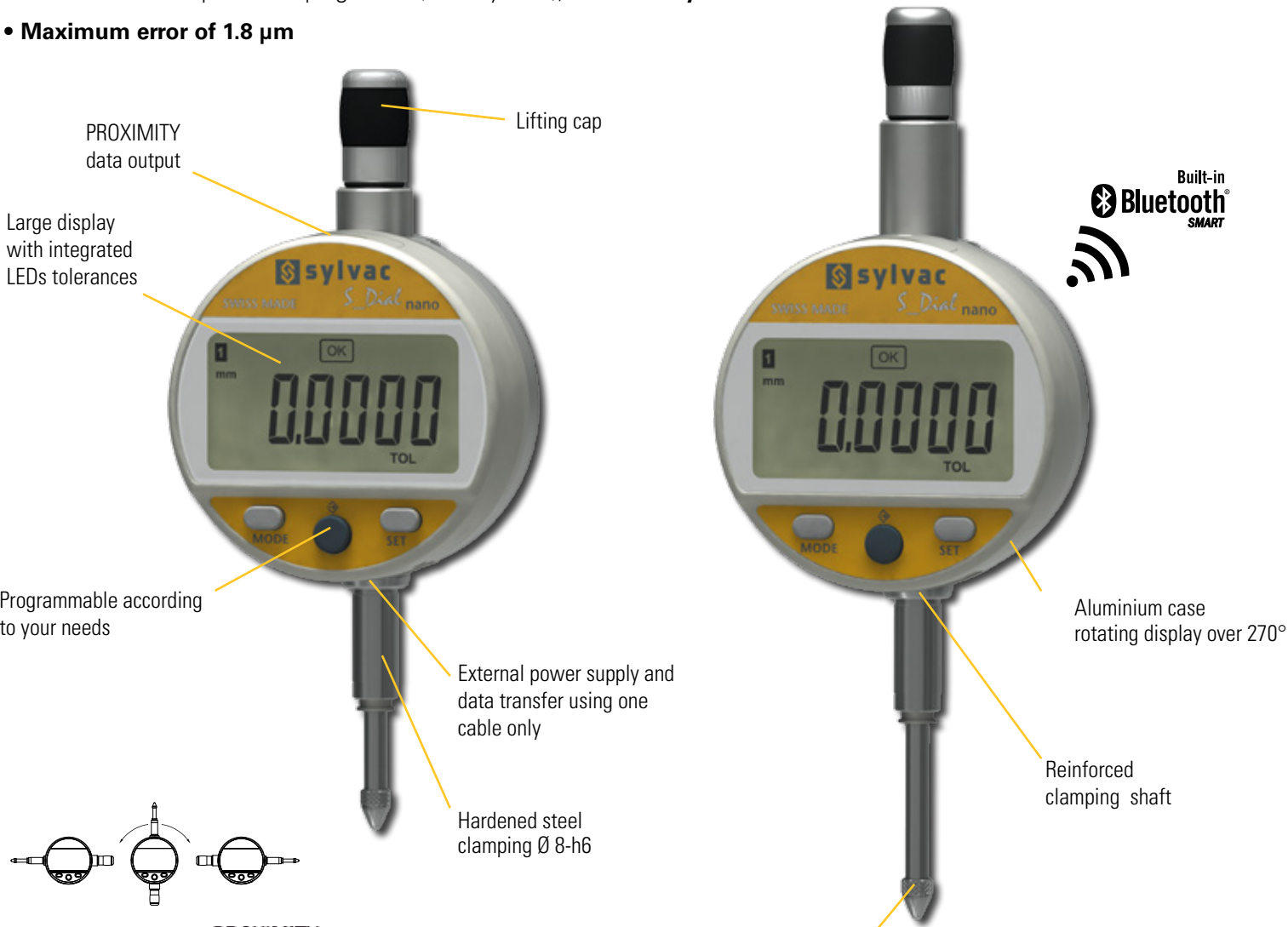
Digital indicators

S_Dial WORK

DESCRIPTION

NANO & NANO BLUETOOTH®

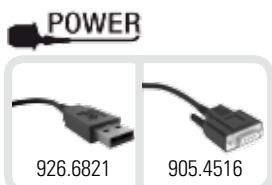
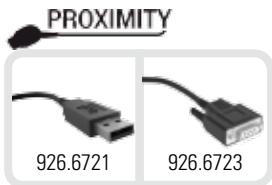
- **0,1 µm resolution**
- Robust construction
- Water and coolant resistant
- New technology with configurable menus
- **Broad choice of functions (MIN/MAX/DELTA, TOL, Factor, PRESET, AUTO OFF, etc.)**
- Automatic wake-up and sleeping mode (S.I.S system), **absolute System***
- **Maximum error of 1.8 µm**



SWISS MADE

SIS Smart Inductive System

WATER RESISTANT



Interchangeable contact point M2.5, stainless steel with TC ball

Max error 1.8 µm
Repeatability 0,5 µm

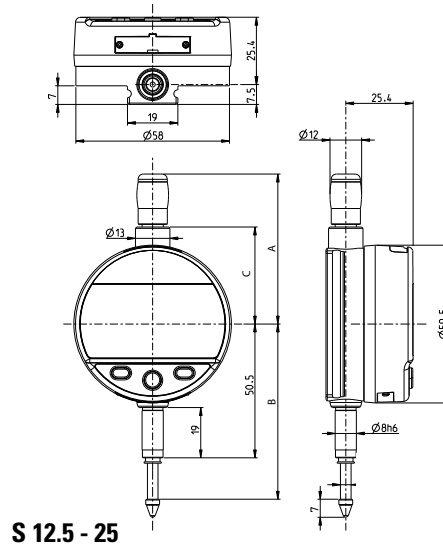
* SIS description on page 5

Digital indicators

S_Dial WORK

DIMENSIONAL DRAWINGS

NANO & NANO BLUETOOTH®



S 12.5 - 25

TECHNICAL SPECIFICATIONS

		805.5306	805.5506	805.6306	805.6506
Measuring range	mm	12.5	25	12.5	25
Resolution	mm	0.0001	0.0001	0.0001	0.0001
Max. Error fe	µm	1.8	2.2	1.8	2.2
Repeatability	µm	0.5			
IP rating		IP51			
A	mm	56.6	69.3	56.6	69.3
B	mm	66.1	79	66.1	79
C	mm	36.6	49.4	36.6	49.4
S_Connect : Proximity / Power		USB / RS232		USB / RS232 / BLUETOOTH® Smart*	
Programmable by PC		●			
Standard functions (customized by PC)		mm/inch, ref I/II, preset (max 999.999) min/max/delta, tolerances, resolution, direction of measurement, multiplication factor, automatic or manual switch off, key lock			

* Up to 8 instruments connected per dongle #981.7100
More informations on How to use Bluetooth® leaflet SYL_1401_EN_BT

BASIC INSTRUMENT

MEASURING FORCE

		S 12.5	S 25	
• Instrument according to technical specifications				
• Lithium battery CR2032 included				
• Instruction manual				
• Calibration certificate				
	Standard	N	0.65 - 0.90	0.65 - 1.15
	Low ²⁾	N	0.4 - 0.55	0.45 - 0.9
	High ²⁾	N	1.0 - 1.6	0.9 - 1.8

Tolerance ± 20%, spindle in outgoing measurement position.
²⁾ on request

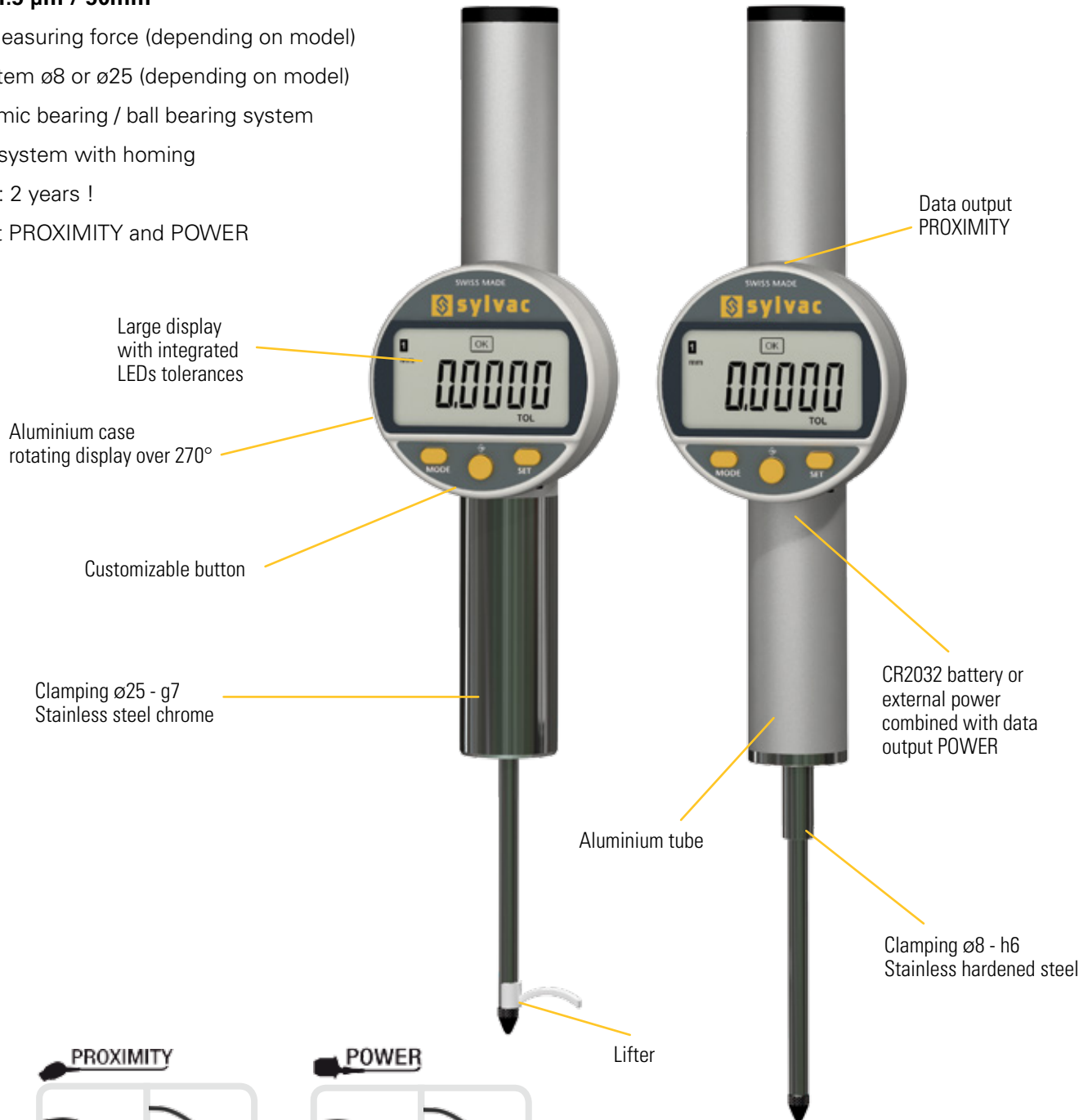
Digital indicators

S_Dial PRO

DESCRIPTION

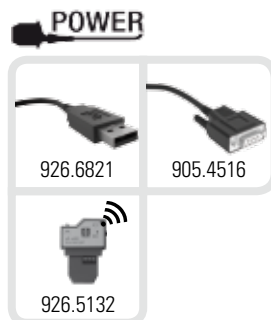
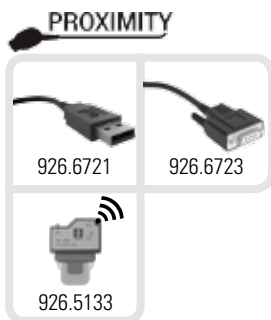
BASIC

- Resolution of 0.1 μm
- Broad choice of functions (MIN/MAX/DELTA, TOL, Facteur, PRESET, AUTO OFF, etc.)
- **Max error 1.5 μm / 50mm**
- Constant measuring force (depending on model)
- Clamping stem $\varnothing 8$ or $\varnothing 25$ (depending on model)
- Mixed ceramic bearing / ball bearing system
- Measuring system with homing
- Battery life : 2 years !
- Data output PROXIMITY and POWER



SWISS MADE

WATER RESISTANT

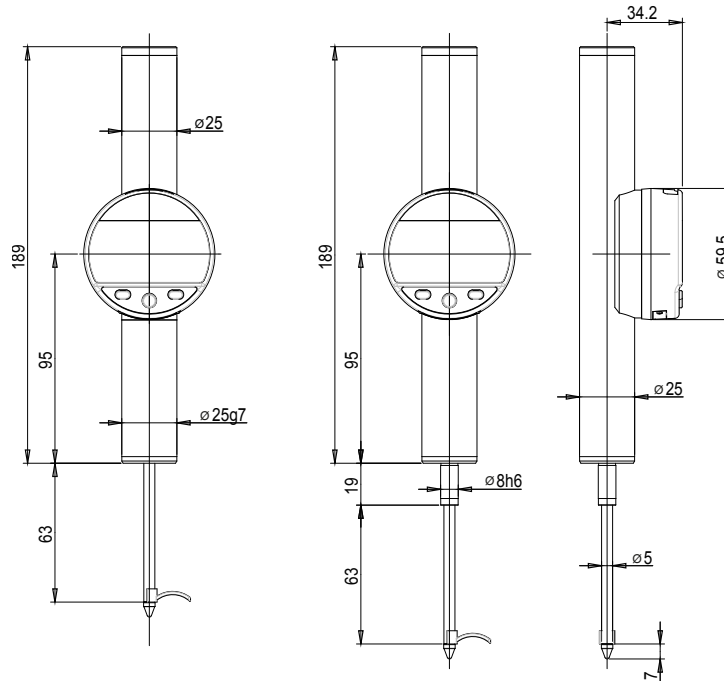


Digital indicators

S_Dial PRO

DIMENSIONAL DRAWINGS

BASIC



TECHNICALS SPECIFICATIONS

		805.8601	805.8602	805.8701	805.8702
Measuring range	mm	50			
Resolution	mm	0.0001			
Max. Error fe	μm	1.5			
Repeatability	μm	0.2			
S_Connect : Proximity /Power		USB / RS232			
Programmable by PC		●			
Clamping		$\varnothing 8 h6$	$\varnothing 25 g7$	$\varnothing 8 h6$	$\varnothing 25 g7$
Spring		●		1)	
Measuring force	N	0.75 - 1.15 ²⁾		0.40 ²⁾	
IP rating		IP51			
Standard functions (customizable by PC)		mm/inch, ref I/II, preset (max 99.9999) min/max/delta, tolerances, resolution, measuring direction, multiplier, automatic extinction/manual, keylock			

¹⁾ Model without spring : Constant measuring force, use only in a vertical position

²⁾ The values agree within $\pm 20\%$ (vertical down, measuring rod outgoing)

INSTRUMENT DE BASE

●

● Instrument according to technical specifications

● Lithium battery CR2032 included

Lifter included

● Manual

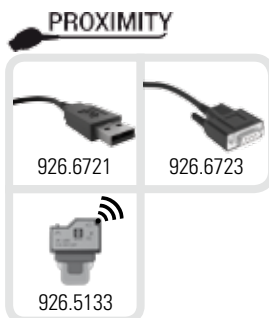
● Calibration certificate

Digital indicators

S_Dial ONE

DESCRIPTION

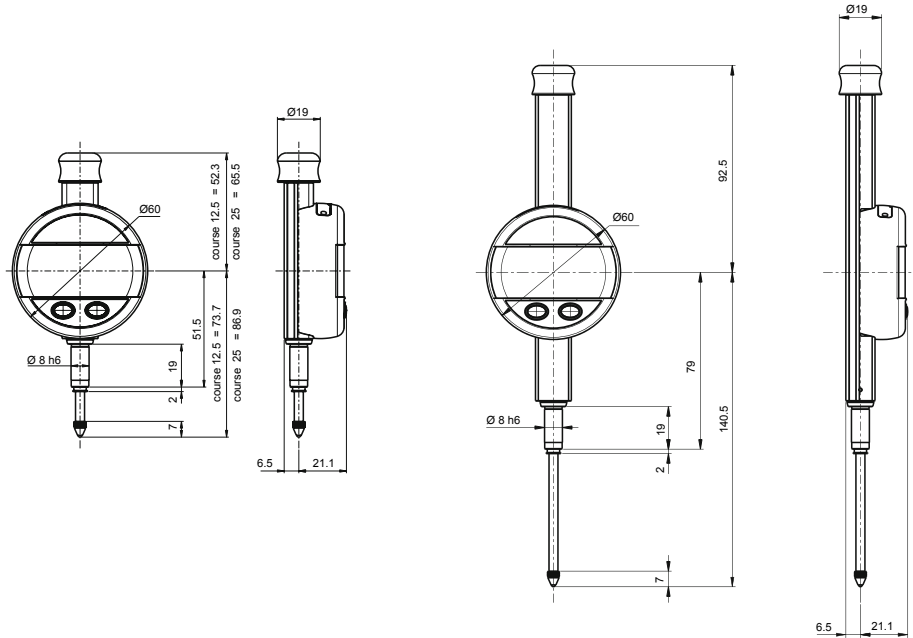
- Strong construction
- Water and coolant resistant, protection rating IP67 according to IEC 60529, **even connected**
- Increased accuracy to 5 µm
- Automatic switch-off



Digital indicators

S_Dial ONE

DIMENSIONAL DRAWINGS



TECHNICAL SPECIFICATIONS

		905.0121	905.0131	905.0141	905.0151	905.0161	905.0171
Measuring range	mm	12.5	12.5	25	25	50	50
Resolution	mm	0.01	0.001	0.01	0.001	0.01	0.001
Max. Error fe	µm	10 ¹⁾	5	10 ¹⁾	6	20	8
Repeatability	µm	2					
S_Connect : Proximity / Power		USB / RS232 / Wireless					
Programmable by PC		●					
Zero setting		●					
Preset		max 199.999					
IP rating		IP67					
Selection of measuring direction		●					

¹⁾ ± 1 digit

BASIC INSTRUMENT

MEASURING FORCE

- Instrument according to technical specifications
- Lithium battery CR2032 included
- Instruction manual
- Calibration certificate for instruments 0.001 mm

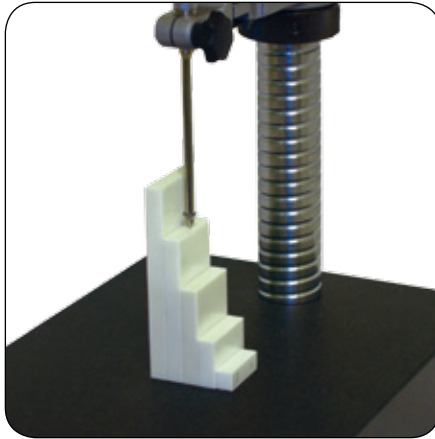
		12.5	25	50
Standard	N	0.6 - 0.90	0.6 - 1.20	0.7 - 1.4
Increased	N	0.7 - 1.15		-
Ultra-high	N	1.8 - 2.8 *	-	-

Tolerance ± 20%, spindle in outgoing measurement position.
 * Be careful, do not pull and release quickly the lifting cap, otherwise it will unhook. Only with Spring SPM 229.100.619.

APPLICATIONS



Measurement of a span with S_Dial WORK equipped with measuring ball probe 905.2207



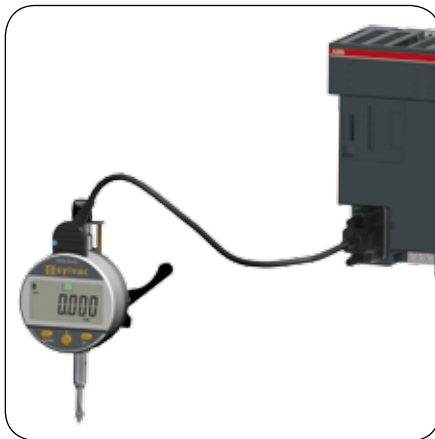
Indicator S_Dial WORK, range 150 mm on stand



S_Dial WORK mounted on a Sylvac PS15 bench



S_Dial WORK BLUETOOTH SMART working in duplex mode and connected to D300S to measure concentricity, roundness, etc.



S_Dial WORK connected to a PLC



S_Dial WORK Analog used on bore gauge system

Digital indicators

S_Dial

LIFTING DEVICES



Lower lifting lever, type 905.4214



Upper lifting device type 905.4215



Pneumatic lifting device type 905.2218



Vacuum lifting device type 905.2220



Lifting device with photo-cable type 905.2216



Lifting device type 905.2214

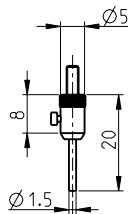
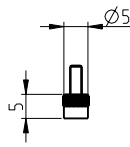
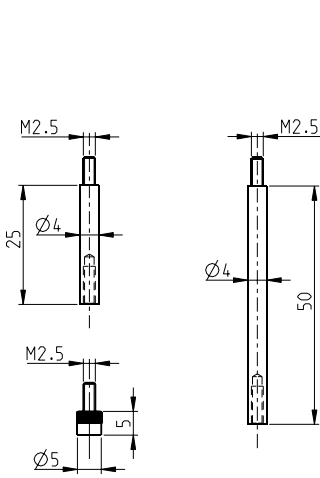


Upper lifting lever type, 905.2215

ACCESSORIES

Contact points M2.5

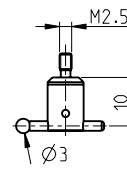
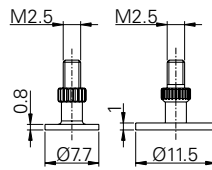
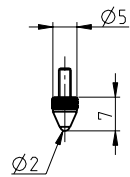
S233
S234 (905.4321)
S234 (905.4322)
S_Dial WORK
12,5 - 25 mm
S_Dial WORK
50 - 150 mm
S_Dial ONE



905.2201

905.2202

905.2203

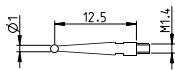


905.2206

905.2204

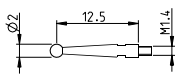
905.2205

905.2207



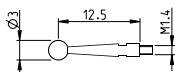
905.2240

Short probe, TC ball



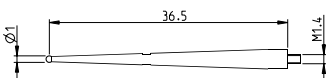
905.2241

Short standard probe, TC ball



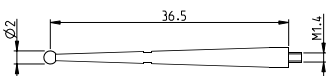
905.2242

Short probe, TC ball



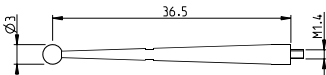
905.2243

Long probe, TC ball



905.2244

Long standard probe, TC ball



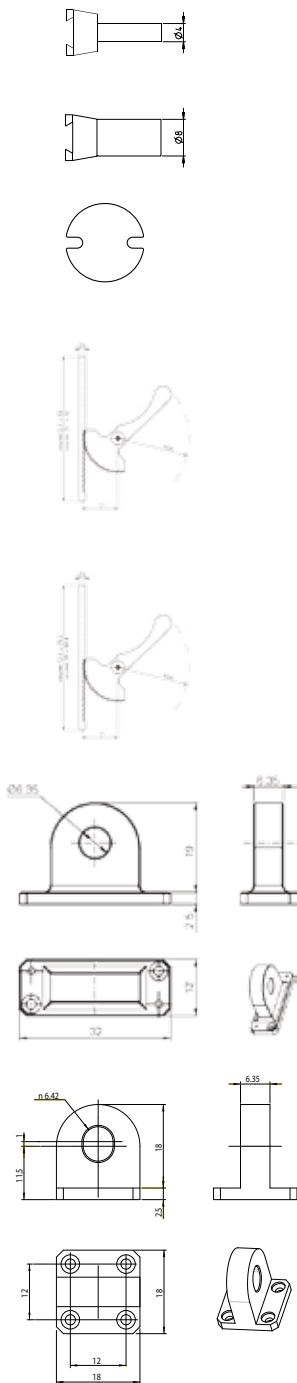
905.2245

Long probe, TC ball

Digital indicators

S_Dial

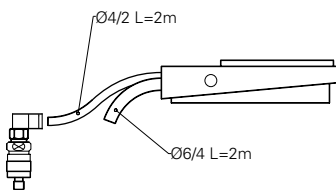
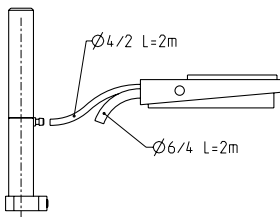
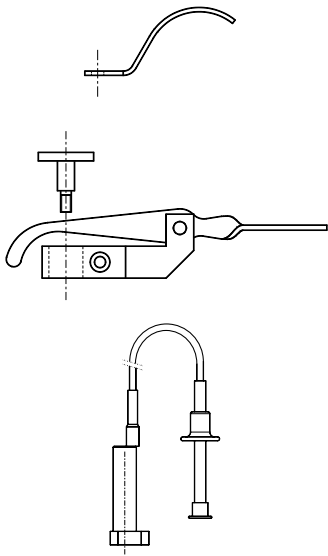
ACCESSORIES



		S233	S234	S_Dial WORK 12.5 - 25 mm	S_Dial WORK 50 - 150 mm	S_Dial ONE
905.2246	Clamping stem	•	•			
905.2247	Clamping stem	•	•			
905.2248	Spanner for probe		•			
905.0214	Lifting device, range 12.5 mm					•
905.0215	Lifting device, range 25 mm					•
905.0216	Lifting device, range 50 mm					•
805.0214	Lifting device, range 12.5 mm			• 1)		
805.0215	Lifting device, range 25 mm			• 1)		
905.0211	Lug back					•
805.0213	Lug back			• 1)	• 1)	

¹⁾ Except S_Dial WORK Basic

ACCESSORIES

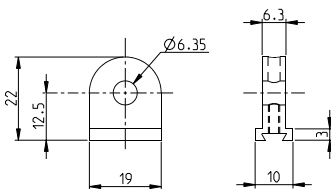
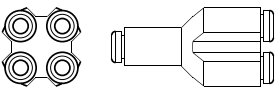
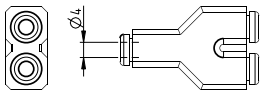
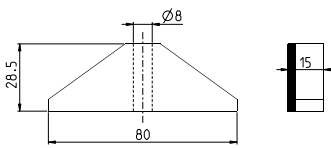
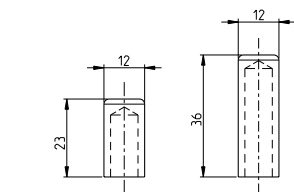


		S233	S234	S_Dial WORK 12,5 - 25 mm	S_Dial WORK 50 - 150 mm	S_Dial ONE
905.2214	Lifting device	•		•	•	•
905.2215	Upper lifting device			•		
905.2216	Lifting device with photo-cable			•		
905.2218	Pneumatic lifting device with foot pedal			•		
905.2217	Lifter only for 905.2218			•		
905.2219	Pneumatic foot pedal for 905.2218	•		•		
905.2220	Vacuum lifting device with foot pedal				•	
905.2227	Pressure controller				•	
905.2228	Vacuum foot pedal for 905.2220				•	

Digital indicators

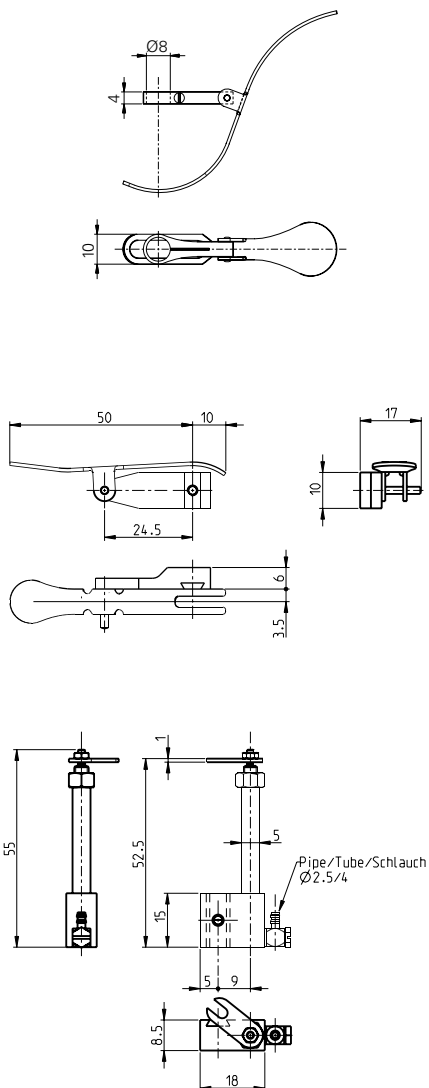
S_Dial

ACCESSORIES



		S233	S234	S_Dial WORK 12,5 - 25 mm	S_Dial WORK 50 - 150 mm	S_Dial ONE
905.2221	Dust protection for indicator, range 12.5 mm			•		
905.2222	Dust protection for indicator, range 25 mm			•		
905.2223	Depth measuring base			•	•	•
905.2261	Snap connector for pneumatic lifter x2	•		•	•	
905.2262	Snap connector for pneumatic lifter x4	•		•	•	
905.4211	Center lug back	•	•			

ACCESSORIES



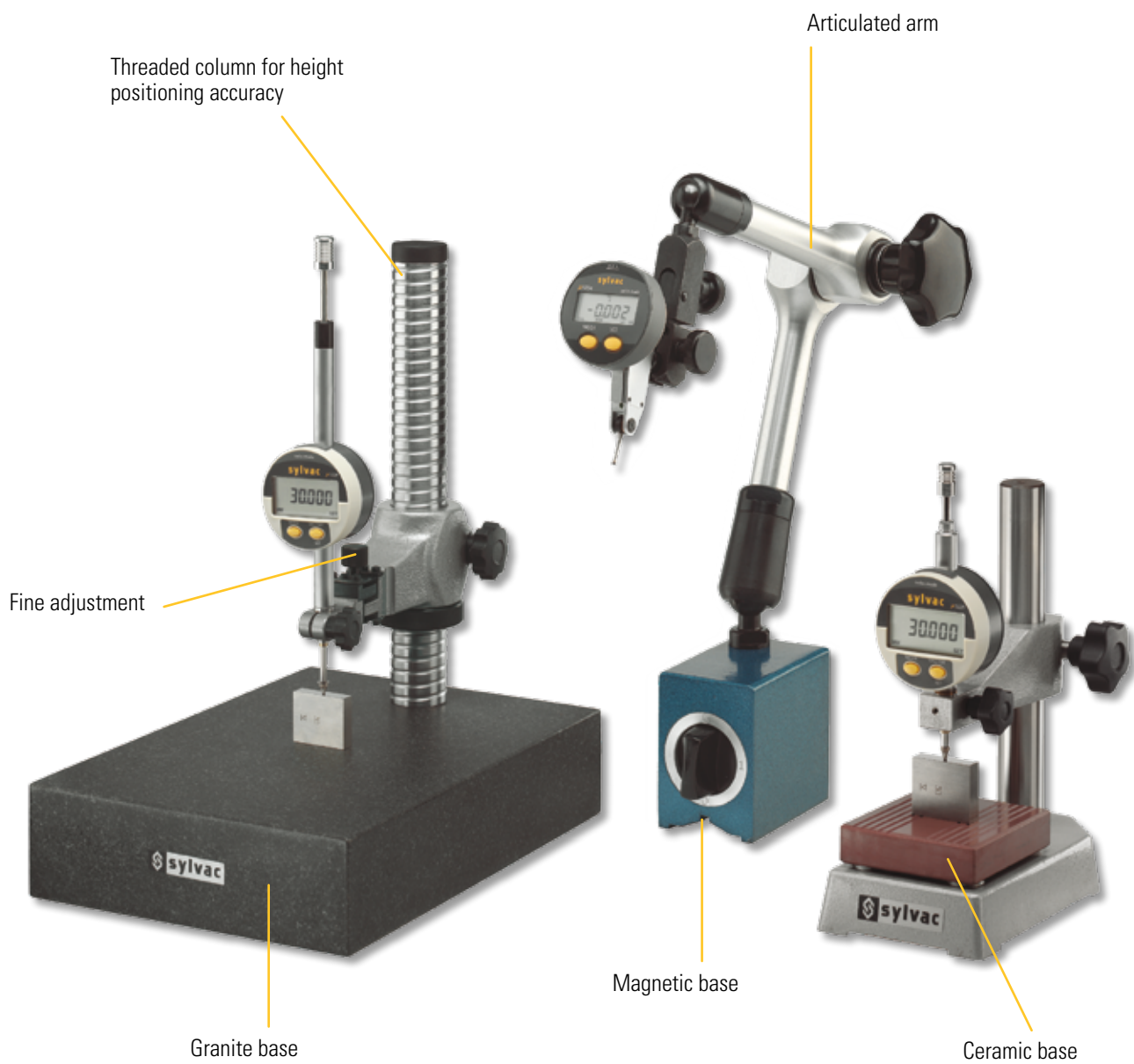
		S233	S234	S_Dial WORK 12,5 - 25 mm	S_Dial WORK 50 - 150 mm	S_Dial ONE
905.4214	Lower lifting device, range 12.5 mm	●	1)	1)	1)	1)
905.4215	Upper lifting device for S (Standard) execution, except vertical type	●				
905.4217	Pneumatic lifting device for standard type	●				

¹⁾ used on range 20 mm max

Measuring stands

DESCRIPTION

- A selection of universal measuring stands for fixing all probes, test indicators and dial gauges
- Clamping on \varnothing 8 mm or dovetail on magnetic stand



Measuring stands

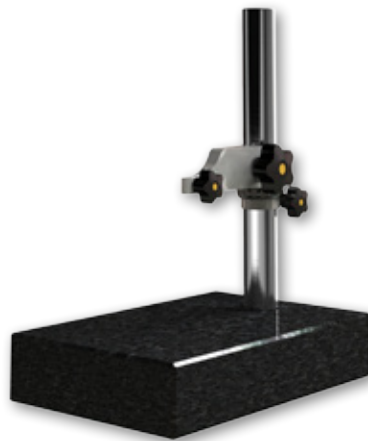
TECHNICAL SPECIFICATIONS



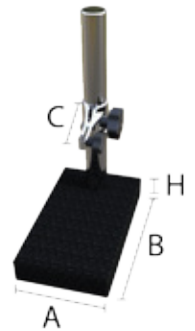
908.1201



908.1209



808.1204

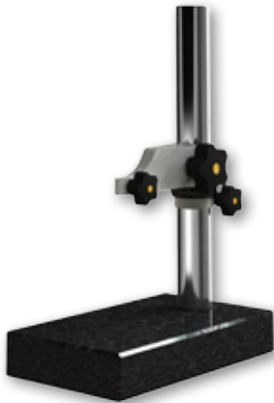


	908.1201	908.1209	808.1204	808.1205
Base	magnetic ¹⁾	Cast iron ceramic table	granit grade 00	granit grade 00
Base dimensions AxBxH	70x46x65	85x85x25	200x300x60	200x300x60
Central locking	une poignée	---	---	---
Column	---	Steel Ø 25 mm	Steel Ø 25 mm	Steel Ø 25 mm
Clamping dimension	Ø 8 mm	Ø 8 mm	Ø 8 mm	Ø 25 mm
Dist. Column.-meas. point. C	---	78 mm	115 mm	115 mm
Measuring range	---	0 - 115 mm		
Total height	430 mm	215 mm		
Weight	2.2 kg	4.3 kg		
Fine adjustment	---	---		

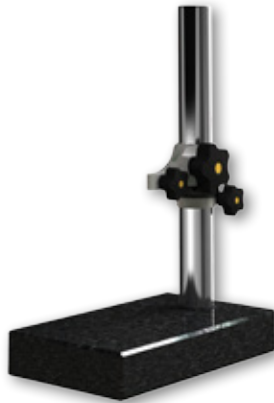
¹⁾ Gripping coefficient : 600N

Measuring stands

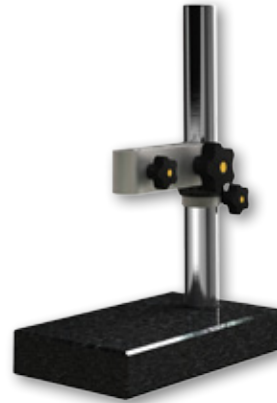
TECHNICAL SPECIFICATIONS



808.1206



808.1203



808.1201

	808.1206	808.1207	808.1202	808.1203	808.1201
Base	granit grade 00	granit grade 00	granit grade 00	granit grade 00	granit grade 00
Base dimensions AxBxH	100x150x40	100x150x40	140x240x40	140x240x40	140x240x40
Central locking	Steel Ø 25 mm	---	---	---	---
Column		Steel Ø 35 mm	Steel Ø 35 mm	Steel Ø 35 mm	Steel Ø 35 mm
Clamping dimension	Ø 8 mm	Ø 8 mm	Ø 25 mm	Ø 8 mm	Ø 8 mm
Dist. Column.-meas. point. C	70 mm	70 mm	115 mm	70 mm	115 mm
Measuring range					
Total height					
Weight					
Fine adjustment					

