



Mini digital indicators

S_Dial MINI Basic

DESCRIPTION

- Smallest digital comparator available on the market, with compact Ø 45 mm non-rotating housing
- New robust construction
- Ideal for integration into machines or various measuring fixtures
- Only one central button with favourite function to choose between recall of the preset or transmission of the value
- Selection of unit (mm/inch) and direction of measurement
- Data output «Power», works without battery when connected via cable
- Digital display resolution 0.01 or 0.001 mm
- Measuring range 12.5 mm
- Available in Protected or Standard execution
 - P version: IP67 with bellows-protected spindle, without lifting cap
 - S version: IP54, without bellows, with lifting cap

B

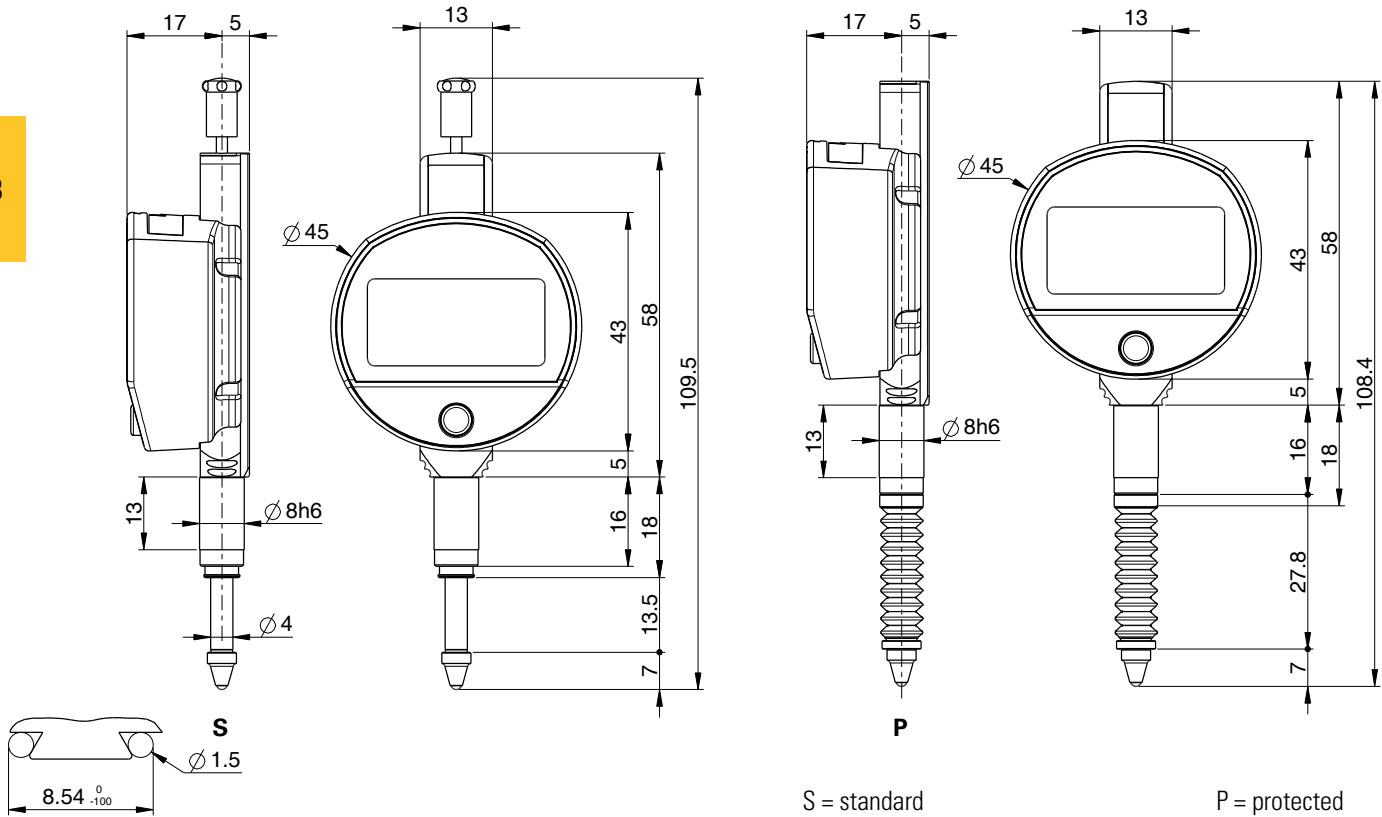


Mini digital indicators

S_Dial MINI Basic

DIMENSIONAL DRAWINGS

B



S = standard

P = protected

TECHNICAL SPECIFICATIONS

		805-4121	805-4125	805-4521	805-4525
Measuring range	mm	12.5	12.5	12.5	12.5
Analog scale		---	---	---	---
Resolution	mm	0.01	0.01	0.001	0.001
Execution ³⁾		S	P	S	P
Max. Error fe	µm	10 ¹⁾	10 ¹⁾	4	4
Repeatability	µm	2	2	2	2
Measuring force ²⁾	N	0.5 - 0.90 N	0.6 - 1.3 N	0.5 - 0.90 N	0.6 - 1.3 N
Zero setting				●	
Resolution selection				---	
PRESET = (max. ±999.99 mm)				● ⁵⁾	
Min / max / delta display				---	
Selection of measuring direction				●	
Multiplication factor				---	
Output data				USB / RS232 ⁴⁾	
IP rating		IP54	IP67	IP54	IP67

¹⁾ ± 1 digit

²⁾ Values ± 20%, indicator in vertical position, outgoing measuring spindle

³⁾ S = Standard P = Protected

⁴⁾ see cables chapter

⁴⁾ voir chapitre câbles

⁵⁾ Preset configuration only by computer



Mini digital indicators

S_Dial MINI Smart

DESCRIPTION

- Smallest digital comparator available on the market with compact Ø 45 mm non-rotating housing and integrated Bluetooth® system
- New robust construction
- Ideal for integration into machines or various measuring fixtures
- Data output «Power», works without battery when connected via cable
- Three buttons, including the central button with selectable favourite function
- Wide range of functions, including MIN/MAX/DELTA
- Digital display resolution 0.01 or 0.001 mm with analogue scale
- Measuring range 12.5 mm
- Available in Protected or Standard execution
 - P version: IP67 with bellows-protected spindle, without lifting cap
 - S version: IP54 or IP67, without bellows, with or without lifting cap

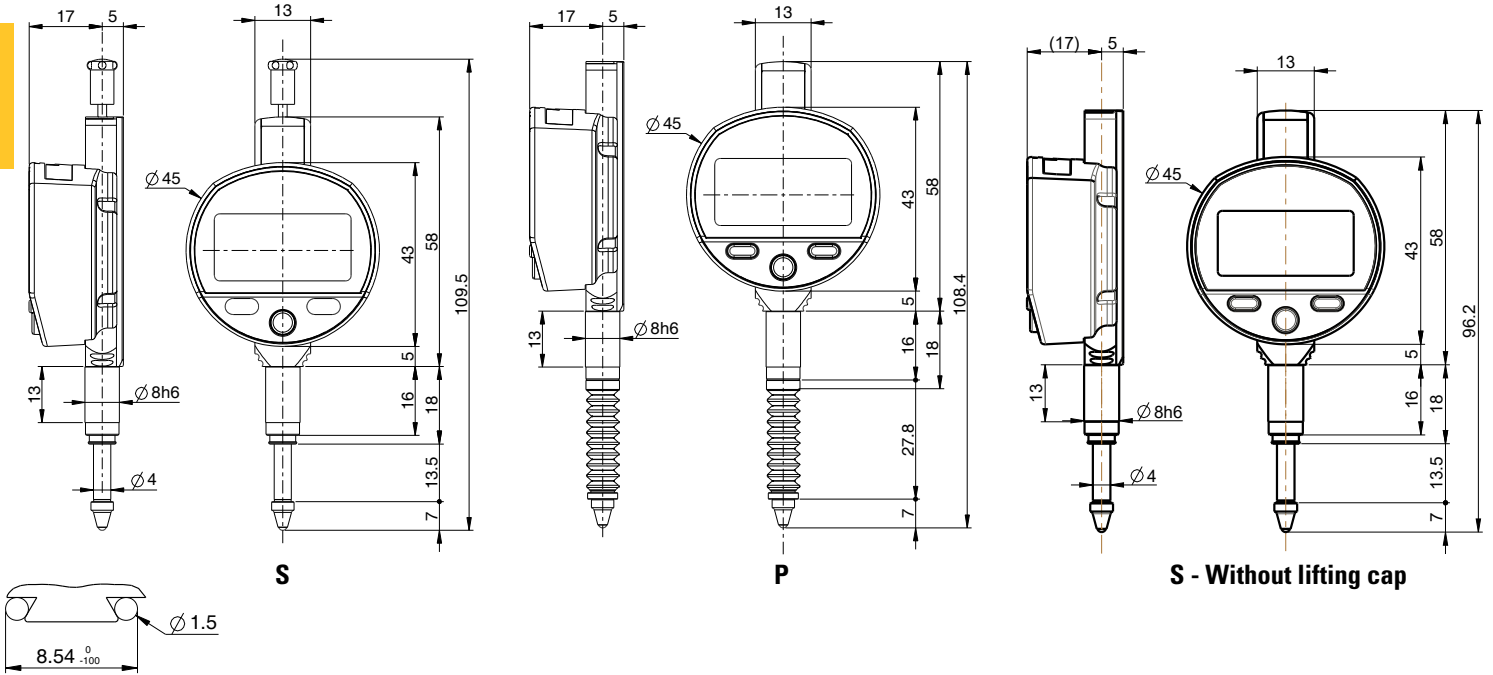
B



Mini digital indicators

S_Dial MINI Smart

B



Smart		805-6121	805-6123	805-6125	805-6521	805-6523	805-6525
Measuring range	mm	12.5	12.5	12.5	12.5	12.5	12.5
Analog scale		●	●	●	●	●	●
Resolution	mm	0.01	0.01	0.01	0.001	0.001	0.001
Execution ³⁾		S	S	P	S	S	P
Max. Error fe	µm	10 ¹⁾	10 ¹⁾	10 ¹⁾	4	4	4
Repeatability	µm	2	2	2	2	2	2
Measuring force ²⁾	N	0.5 - 0.90 N	0.5 - 0.90 N	0.6 - 1.3 N	0.5 - 0.90 N	0.5 - 0.90 N	0.6 - 1.3 N
Lifting cap		●			●		
Zero setting					●		
Resolution selection					●		
PRESET = (max. ±999.99 mm)					●		
Min / max / delta display					●		
Selection of measuring direction					●		
Multiplication factor					●		
Output data		Bluetooth® wireless technology* / RS232 / USB ⁴⁾					
IP rating		IP67	IP67	IP67	IP67	IP67	IP67

¹⁾ ± 1 digit

²⁾ Values ± 20%, indicator in vertical position, outgoing measuring spindle

³⁾ S = Standard P = Protected

⁴⁾ see cables chapter

* Up to 8 instruments connected per dongle #981-7100



Mini digital indicators

S_Dial MINI Smart

STANDARD DELIVERY

- Instrument according to technical specifications
- Lithium battery CR2032 included
- Instruction manual
- Calibration certificate for instruments with resolution 0.001 mm

B

MEASURING FORCE FOR RANGE 12.5 mm

	S	P
Standard	0.5 - 0.90 N	0.6 - 1.3 N
Low ¹⁾	0.35 - 0.50 N	---
High ¹⁾	1.80 - 2.3 N	---

Tolerance $\pm 20\%$, indicator in vertical position, spindle in outgoing measurement.
¹⁾ on request

APPLICATIONS



Checking of an internal \varnothing with a mechanical device



Measurement of the vertical displacement of an element



Measurement of internal chamfer