

Caliper

Move to other products

- 1 SPC Caliper
- 3 Depth gage
- 4 Height gage
- 5 Micrometer
- 6 Inside micrometer
- 7 Micrometer head
- 8 Indicator
- 9 Test indicator
- 10 Gage head
- 11 Gauge Block
- 12 Reference gage
- 13 Surface plate
- 14 Miscellaneous
- 15 Linear scale
- 16 Digimatic scale unit
- 17 Profile projector
- 18 Microscope
- 19 Contracer
- 20 Surftest
- 21 Formtracer
- 22 Roundtest
- 23 Hardness tester
- 24 CMM
- 25 Flexible measuring gage
- 26 Vision measuring system
- 27 Detailed shape measuring system
- 28 Laser scan micrometer
- 29 DIY tools

List of products

Absolute Coolant Proof Caliper
SERIES 500



Absolute Digimatic Caliper
SERIES 500



Absolute Digimatic Caliper
SERIES 500



Absolute Solar Caliper
SERIES 500



Vernier Caliper
SERIES 530



Vernier Caliper
SERIES 560, 536



Diamond Master Vernier Caliper
SERIES 522



Vernier Caliper
SERIES 531



Vernier Caliper
SERIES 532



Dial Caliper
SERIES 505



Digimatic Caliper
SERIES 550 — with Nib Style Jaws



Vernier Caliper
SERIES 160 — with Nib Style Jaws



Digimatic Carbon Fiber Caliper
SERIES 552



Digimatic Carbon Fiber Caliper
SERIES 552



Long Jaw Vernier Caliper
SERIES 534



Digimatic Caliper
SERIES 551



Vernier Caliper
SERIES 533



Offset Caliper
SERIES 573, 536



Offset Centerline Caliper
SERIES 573, 536



Point Caliper
SERIES 573, 536



Blade Type Caliper
SERIES 573, 536



Neck Caliper
SERIES 573, 536



Outside Point Caliper
SERIES 573, 536



Tube Thickness Caliper
SERIES 573, 536



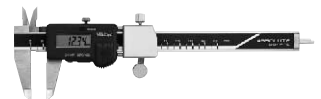
Swivel Vernier Caliper
SERIES 536



Scribing Caliper
SERIES 573, 536



Digimatic Snap Caliper
SERIES 573



Back-Jaw Centerline Caliper
SERIES 573



Inside Caliper
SERIES 573, 536



Absolute Low Force Caliper
SERIES 573



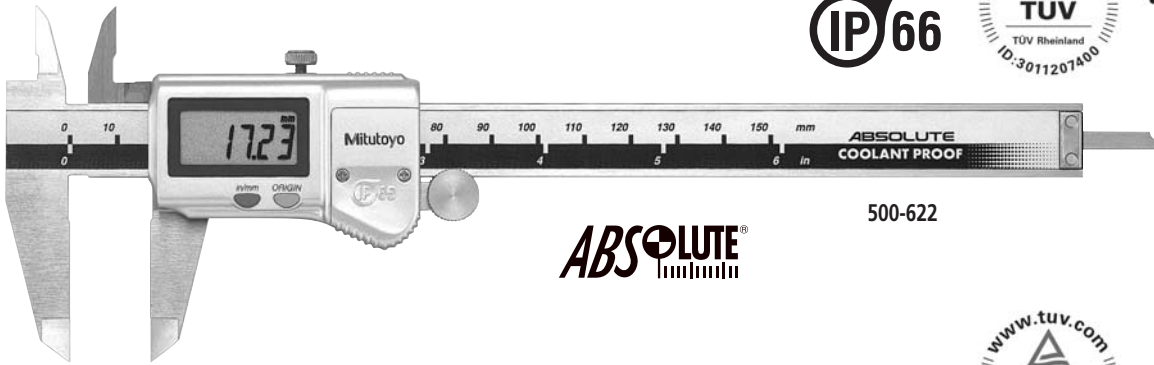
Hook Type Vernier Caliper
SERIES 536



Absolute Coolant Proof Caliper

SERIES 500 — with Dust/Water Protection Conforming to IP66/67 Level

CALIPERS



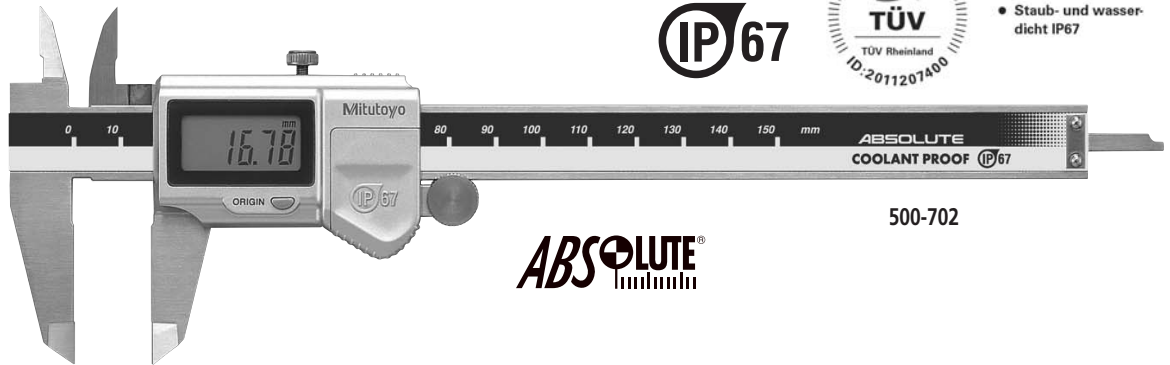
IP66



• Staubdicht und wassergeschützt IP66

500-622

ABSOLUTE



IP67



• Staub- und wasserdicht IP67

500-702

ABSOLUTE

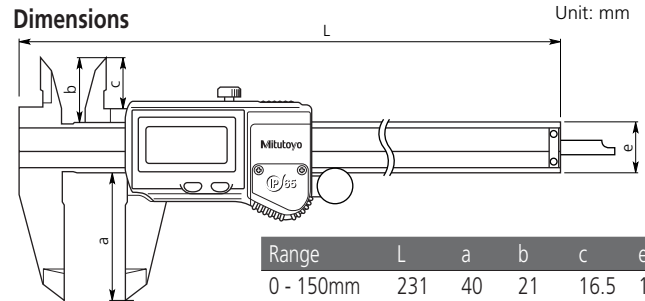
FEATURES

- Can be used in workshop conditions exposed to coolant, water, dust or oil.
- Easy to use - no need to wipe or clean the scale.
- Advanced design styling.
- Incorporates absolute measurement system.
- Automatic power-on/off.
- Data output function.

Technical Data

Display: LCD
Functions: Origin-Set, Automatic power on/off, inch/mm conversion (inch/mm type only)/Data output
Battery: SR44 (2 pc.) (938882)
Battery life: Approx. 1.5 years under normal use
Maximum response speed: Unlimited
Dust/Water protection level: Conforming to IP66/IP67
Alarm: Low voltage, counting value composition error
Operating temperature: 0°C to 40°C

Dimensions



Range	L	a	b	c	e
0 - 150mm	231	40	21	16.5	16
0 - 200mm	288	50	24.5	20	16
0 - 300mm	408	64	28	21.8	20



CERTIFICATE OF INSPECTION / CERTIFICAT DE CONTROLE		Inspection result/Résultats				(GR/PT)
Product name/Catégorie: Digimatic Caliper/Pied à coulisse Digimatic		Measuring length / Longueur de mesure	Permissible values / Valeurs admissibles	Instrumental errors/Erreurs instrumentales		
Model No./Modèle: CD-15PB		Reaction of measure / Réaction de mesure	+0.01 -0.03	—	-0.01	
Code No./Référence: 934-622						
Serial No./No. de série: 03416611						
Measuring range/Capacité de mesure: 0-150mm				0.00	0.01	
Minimum indication/Resolution: 0.01mm				-0.01	0.00	
Standard Temperature / Température de Référence: 20°C				-0.01	0.00	
QC Manager/Responsable Qualité Contrôle: <i>[Signature]</i>						
Inspection standard / Mitutoyo standard		0.018	-0.0005 -0.0015	—	—	
Based on: JISB7507:19A3, DIN892:1988		0				
Traceable to: NMI/JANIST by JCSB No.3200-NAIST via #21098934-03		2				
PTB via 37561-PTB 02-0340-PTB 03		6	±0.0010			Unit: mm
		8				Unit: inch
		8				Unit: inch

Overall Judgment: Passed / Passé / Conforme / conforme
 Mitutoyo Corporation


SPECIFICATIONS

Metric		IP66 model			
Range	Order No.	Resolution	Accuracy	Mass	Remarks
0 - 150mm	500-622	0.01mm	±0.02mm	168g	With thumb roller
	500-626	0.01mm	±0.02mm	164g	—
	500-632	0.01mm	±0.02mm	168g	With data output and thumb roller
	500-637	0.01mm	±0.02mm	164g	With data output
0 - 200mm	500-623	0.01mm	±0.02mm	198g	With thumb roller
	500-627	0.01mm	±0.02mm	194g	—
	500-633	0.01mm	±0.02mm	198g	With data output and thumb roller
	500-638	0.01mm	±0.02mm	194g	With data output
0 - 300mm	500-624	0.01mm	±0.02mm	350g	With thumb roller
	500-628	0.01mm	(≤200mm)	345g	—
	500-634	0.01mm	±0.03mm	350g	With data output and thumb roller
	500-639	0.01mm	(>200mm)	345g	With data output

Excluding quantizing error

Inch/Metric		IP66 model			
Range	Order No.	Resolution	Accuracy	Mass	Remarks
0 - 6" (0 - 150mm)	500-672	.0005"/0.01mm	±.001"	.37 lbs.	With thumb roller
	500-682	.0005"/0.01mm	±.001"	.37 lbs.	With data output and thumb roller
0 - 8" (0 - 200mm)	500-673	.0005"/0.01mm	±.001"	.43 lbs.	With thumb roller
	500-683	.0005"/0.01mm	±.001"	.43 lbs.	With data output and thumb roller
0 - 10" (0 - 300mm)	500-674	.0005"/0.01mm	±.001" (≤8")	.77 lbs.	With thumb roller
	500-684	.0005"/0.01mm	±.0015" (>8")	.77 lbs.	With data output and thumb roller

Excluding quantizing error

Metric		IP67 model			
Range	Order No.	Resolution	Accuracy	Mass	Remarks
0 - 150mm	500-702	0.01mm	±0.02mm	168g	With thumb roller
	500-706	0.01mm	±0.02mm	164g	—
	500-712	0.01mm	±0.02mm	168g	With data output and thumb roller
	500-716	0.01mm	±0.02mm	164g	With data output
0 - 200mm	500-703	0.01mm	±0.02mm	198g	With thumb roller
	500-707	0.01mm	±0.02mm	194g	—
	500-713	0.01mm	±0.02mm	198g	With data output and thumb roller
	500-717	0.01mm	±0.02mm	194g	With data output

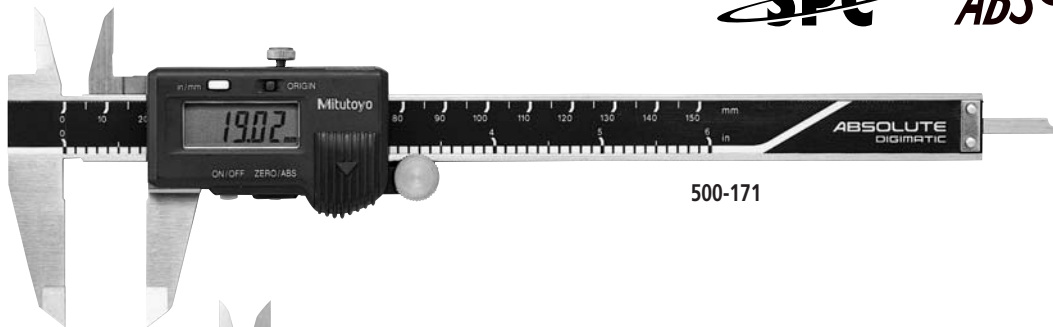
Excluding quantizing error

Inch/Metric		IP67 model			
Range	Order No.	Resolution	Accuracy	Mass	Remarks
0 - 6" (0 - 150mm)	500-752	.0005"/0.01mm	±.001"	.37 lbs.	With thumb roller
	500-762	.0005"/0.01mm	±.001"	.37 lbs.	With data output and thumb roller
0 - 8" (0 - 200mm)	500-753	.0005"/0.01mm	±.001"	.43 lbs.	With thumb roller
	500-763	.0005"/0.01mm	±.001"	.43 lbs.	With data output and thumb roller

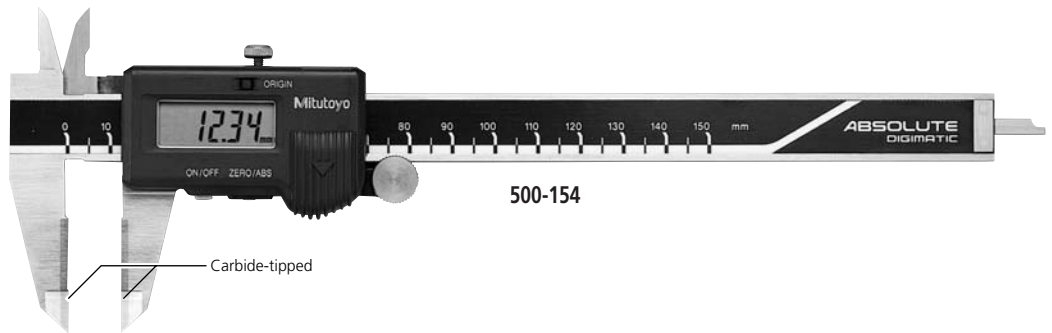
Excluding quantizing error

Absolute Digimatic Caliper

SERIES 500 — with Exclusive Absolute Encoder Technology

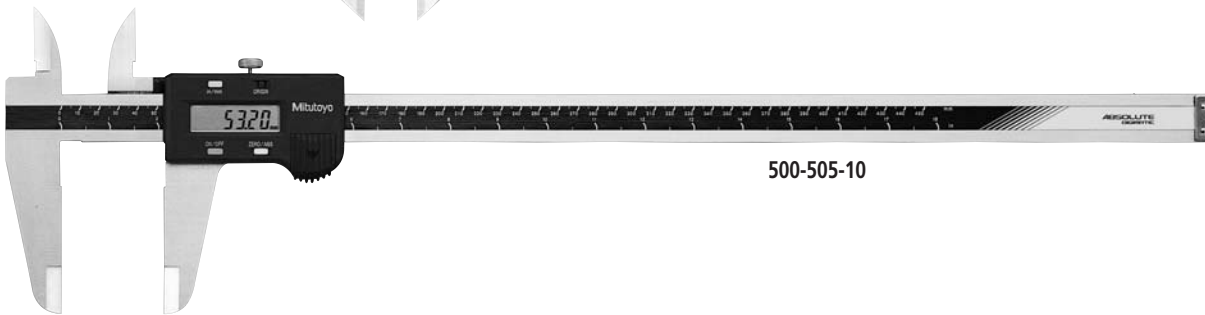


500-171



500-154

Carbide-tipped



500-505-10

CALIPERS

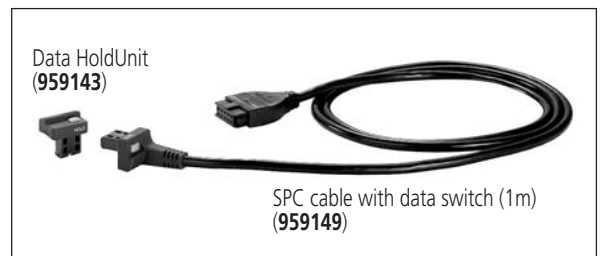
Mitutoyo's absolute Digimatic Caliper is the next generation of electronic calipers. It keeps track of its origin point once set. Whenever turned on, the large LCD screen displays the actual slider position ready to start measurement. No more repeated zero setting is necessary with the absolute encoder technology as well as no more care for overspeed errors.

FEATURES

- Large and clear LCD readout.
- The ZERO/ABS key allows the display to be Zero-Set at any slider position along the scale for incremental comparison measurements. This switch will also allow return to the absolute (ABS) coordinate and display of the true position from the origin point (usually jaws-closed point).
- Data Hold Unit (**959143**) is optional.
- Carbide-tipped jaw type calipers are also available.

Technical Data

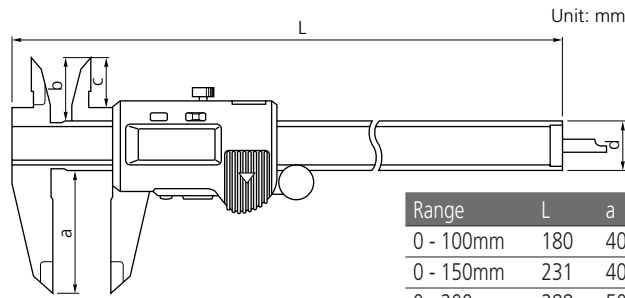
Display: LCD
Functions: Origin-Set, Zero-Set, power on/off, inch/mm conversion (inch/mm type only), SPC data output, data hold (optional)
Battery: SR44 (1 pc.) (**938882**)
Battery life: Approx. 3.5 years under normal use
Maximum response speed: Unlimited
Alarm: Low battery voltage, scale contamination, counting value composition error
Operating temperature: 0°C to 40°C



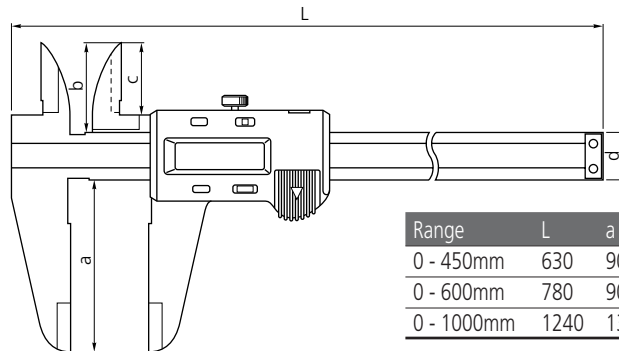
OPTIONAL ACCESSORIES

Order No.	Description
959143	Data Hold Unit
959149	SPC cable with data switch (1m)
959150	SPC cable with data switch (2m)

Dimensions



Range	L	a	b	c	d
0 - 100mm	180	40	21	16.5	16
0 - 150mm	231	40	21	16.5	16
0 - 200mm	288	50	24.5	20	16
0 - 300mm	403	64	27.5	22	20



Range	L	a	b	c	d
0 - 450mm	630	90	47	38	25
0 - 600mm	780	90	47	38	25
0 - 1000mm	1240	130	61	50	32

SPECIFICATIONS

Metric

Range	Order No.	Resolution	Accuracy	Mass	Remarks
0 - 100mm	500-150	0.01mm	±0.02mm	137g	With depth measuring rod (ø1.9mm)
0 - 150mm	500-151	0.01mm	±0.02mm	162g	With depth measuring bar (blade)
	500-154*	0.01mm	±0.02mm	162g	With depth measuring bar (blade)
	500-155**	0.01mm	±0.02mm	162g	With depth measuring bar (blade)
	500-158	0.01mm	±0.02mm	162g	With depth measuring rod (ø1.9mm)
0 - 200mm	500-152	0.01mm	±0.02mm	192g	With depth measuring bar (blade)
	500-156*	0.01mm	±0.02mm	192g	With depth measuring bar (blade)
	500-157**	0.01mm	±0.02mm	192g	With depth measuring bar (blade)
0 - 300mm	500-153	0.01mm	±0.03mm	350g	With depth measuring bar (blade)
0 - 450mm	500-500-10	0.01mm	±0.05mm	1170g	—
0 - 600mm	500-501-10	0.01mm	±0.05mm	1350g	—
0 - 1000mm	500-502-10	0.01mm	±0.07mm	3300g	—

*Provided with carbide-tipped jaws for OD measurement.

**Provided with carbide-tipped jaws for OD & ID measurements.

Excluding quantizing error

Inch/Metric

Range	Order No.	Resolution	Accuracy	Mass	Remarks
0 - 4" (0 - 100mm)	500-170	.0005"/0.01mm	±.0010"	.30 lbs.	With depth measuring rod (ø3/40")
0 - 6" (0 - 150mm)	500-171	.0005"/0.01mm	±.0010"	.36 lbs.	With depth measuring bar (blade)
	500-174*	.0005"/0.01mm	±.0010"	.36 lbs.	With depth measuring bar (blade)
	500-155**	.0005"/0.01mm	±.0010"	.36 lbs.	With depth measuring bar (blade)
	500-178	.0005"/0.01mm	±.0010"	.36 lbs.	With depth measuring rod (ø3/40")
0 - 8" (0 - 200mm)	500-172	.0005"/0.01mm	±.0010"	.42 lbs.	With depth measuring bar (blade)
	500-176*	.0005"/0.01mm	±.0010"	.42 lbs.	With depth measuring bar (blade)
	500-177**	.0005"/0.01mm	±.0010"	.42 lbs.	With depth measuring bar (blade)
0 - 12" (0 - 300mm)	500-173	.0005"/0.01mm	±.0015"	.77 lbs.	With depth measuring bar (blade)
	500-167*	.0005"/0.01mm	±.0015"	.77 lbs.	With depth measuring bar (blade)
	500-168**	.0005"/0.01mm	±.0015"	.77 lbs.	With depth measuring bar (blade)
0 - 18" (0 - 450mm)	500-505-10	.0005"/0.01mm	±.0020"	2.57 lbs.	—
0 - 24" (0 - 600mm)	500-506-10	.0005"/0.01mm	±.0020"	2.97 lbs.	—
0 - 40" (0 - 1000mm)	500-507-10	.0005"/0.01mm	±.0030"	7.26 lbs.	—

*Provided with carbide-tipped jaws for OD measurement.

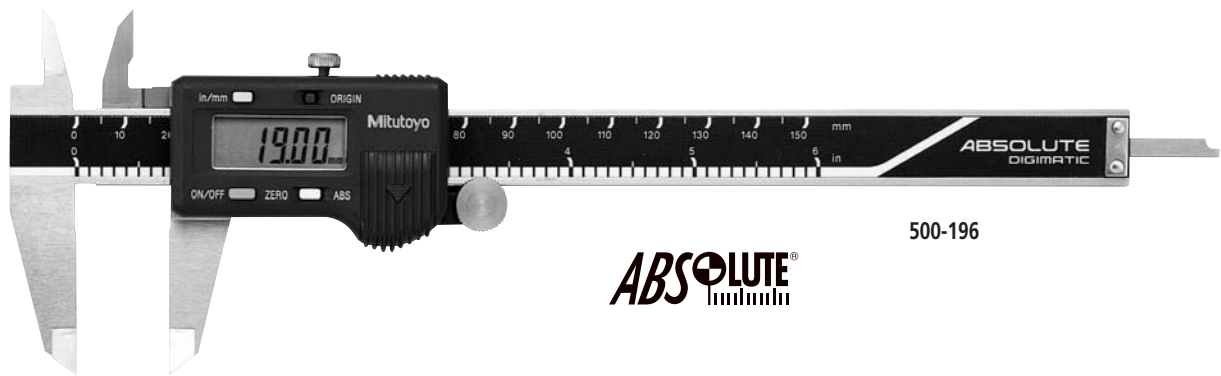
**Provided with carbide-tipped jaws for OD & ID measurements.

Excluding quantizing error



Absolute Digimatic Caliper

SERIES 500 — with Economical Design



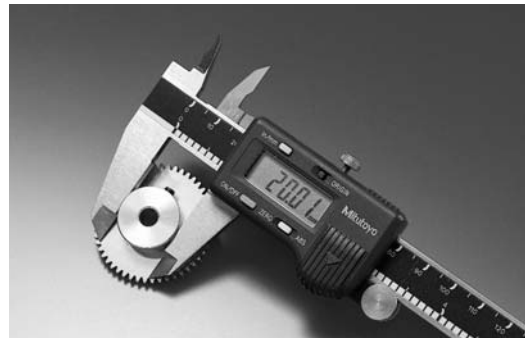
500-196



CALIPERS

FEATURES

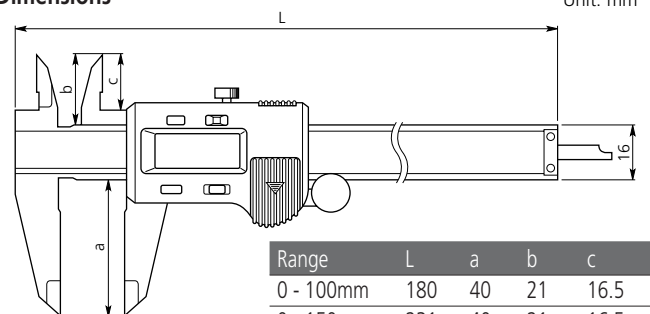
- Large and clear LCD readout.
- Low price due to the design featuring only essential functions.
- ZERO/ABS key: Allows the display to be Zero-Set at any slider position along the scale for incremental comparison measurements. This switch will also allow return to the absolute mode and display of the true position from the origin point.



Technical Data

- Display:** LCD
- Functions:** Origin-Set, Zero-Set, power on/off, inch/mm conversion (inch/mm type only)
- Battery:** SR44 (1 pc.) (938882)
- Battery life:** Approx. 3.5 years under normal use
- Maximum response speed:** Unlimited
- Alarm:** Low voltage, scale contamination, counting value composition error
- Operating temperature:** 0°C to 40°C

Dimensions



Range	L	a	b	c
0 - 100mm	180	40	21	16.5
0 - 150mm	231	40	21	16.5
0 - 200mm	288	50	24.5	20

SPECIFICATIONS

Metric

Range	Order No.	Resolution	Accuracy	Mass	Remarks
0 - 100mm	500-180	0.01mm	±0.02mm	137g	With depth measuring rod (ø1.9mm)
0 - 150mm	500-181	0.01mm	±0.02mm	162g	With depth measuring bar (blade)
0 - 200mm	500-182	0.01mm	±0.02mm	192g	With depth measuring bar (blade)

Excluding quantizing error

Inch/Metric

Range	Order No.	Resolution	Accuracy	Mass	Remarks
0 - 4" (0 - 100mm)	500-195	.0005"/0.01mm	±.0010"	.30 lbs.	With depth measuring rod (ø3/40")
0 - 6" (0 - 150mm)	500-196	.0005"/0.01mm	±.0010"	.36 lbs.	With depth measuring bar (blade)
	500-159*	.0005"/0.01mm	±.0010"	.36 lbs.	With depth measuring bar (blade)
	500-160**	.0005"/0.01mm	±.0010"	.36 lbs.	With depth measuring bar (blade)
0 - 8" (0 - 200mm)	500-197	.0005"/0.01mm	±.0010"	.42 lbs.	With depth measuring bar (blade)
	500-163*	.0005"/0.01mm	±.0010"	.42 lbs.	With depth measuring bar (blade)
	500-164**	.0005"/0.01mm	±.0010"	.42 lbs.	With depth measuring bar (blade)
0 - 12" (0 - 300mm)	500-193	.0005"/0.01mm	±.0015"	.77 lbs.	With depth measuring bar (blade)
	500-165*	.0005"/0.01mm	±.0015"	.77 lbs.	With depth measuring bar (blade)
	500-166**	.0005"/0.01mm	±.0015"	.77 lbs.	With depth measuring bar (blade)

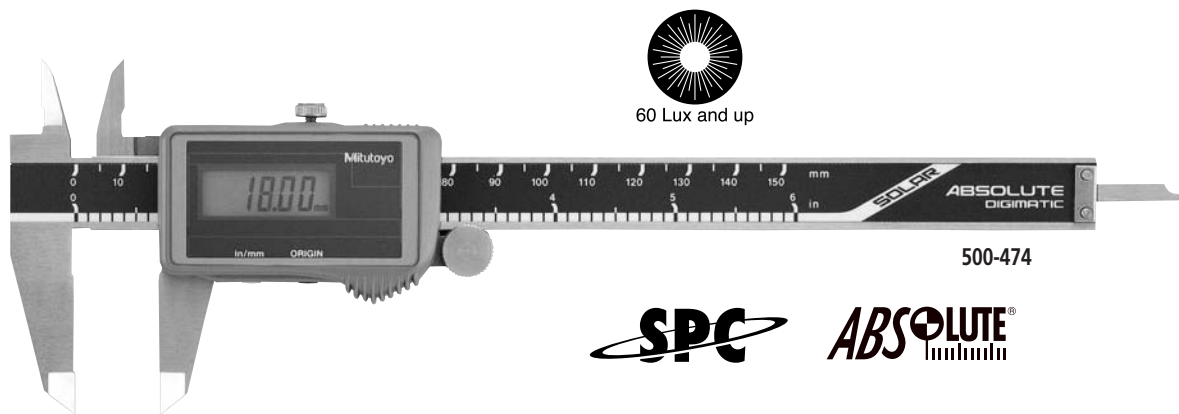
*Provided with carbide-tipped jaws for OD measurement.

**Provided with carbide-tipped jaws for OD & ID measurements.

Excluding quantizing error

Absolute Solar Caliper

SERIES 500 — Allowing No Need for Battery Replacement



Mitutoyo's Absolute Solar Digimatic Caliper retains its origin point even the display turns off for the entire life of the caliper. At 60 Lux and up the "MyCAL SOLAR-ABSOLUTE" is turned on ready to start measurement.

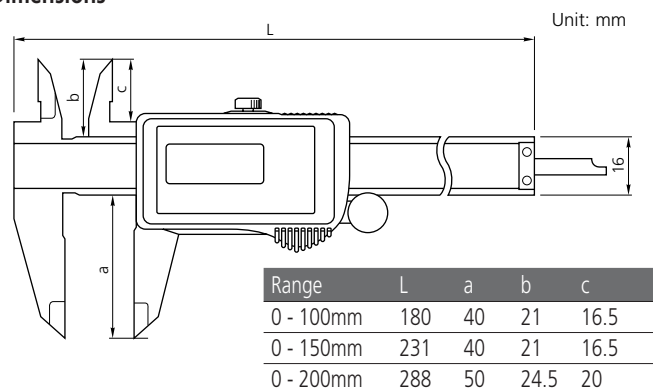
FEATURES

- No more repeated zero setting caused by the shortage of light intensity.
- Hard-coated solar panel for safe operation.
- No fear for overspeed errors.

Technical Data

Display: LCD
Functions: Origin-Set, inch/mm conversion (inch/mm type only)
Light intensity: 60Lux and up for operation (300Lux and up for origin setting)
Maximum response speed: Unlimited
Alarm: Scale contamination, counting value composition error
Operating temperature: 0°C to 40°C

Dimensions



OPTIONAL ACCESSORIES

Order No.	Description
959143	Data Hold Unit
959149	SPC cable with data switch (1m)
959150	SPC cable with data switch (2m)

Available for SPC data output model only.

SPECIFICATIONS

Metric					
Range	Order No.	Resolution	Accuracy	Mass	Remarks
0 - 100mm	500-443	0.01mm	±0.02mm	145g	With depth measuring rod (ø1.9mm)
	500-453*	0.01mm	±0.02mm	125g	With depth measuring rod (ø1.9mm)
0 - 150mm	500-444	0.01mm	±0.02mm	170g	With depth measuring bar (blade)
	500-454*	0.01mm	±0.02mm	150g	With depth measuring bar (blade)
0 - 200mm	500-445	0.01mm	±0.02mm	200g	With depth measuring bar (blade)
	500-455*	0.01mm	±0.02mm	180g	With depth measuring bar (blade)

Excluding quantizing error

Inch/Metric					
Range	Order No.	Resolution	Accuracy	Mass	Remarks
0 - 4" (0 - 100mm)	500-463	0005"/0.01mm	±.001"	.32 lbs.	With depth measuring rod (ø3/40")
	500-473*	0005"/0.01mm	±.001"	.28 lbs.	With depth measuring rod (ø3/40")
0 - 6" (0 - 150mm)	500-464	0005"/0.01mm	±.001"	.37 lbs.	With depth measuring bar (blade)
	500-474*	0005"/0.01mm	±.001"	.33 lbs.	With depth measuring bar (blade)
0 - 8" (0 - 200mm)	500-465	0005"/0.01mm	±.001"	.44 lbs.	With depth measuring bar (blade)
	500-475*	0005"/0.01mm	±.001"	.40 lbs.	With depth measuring bar (blade)

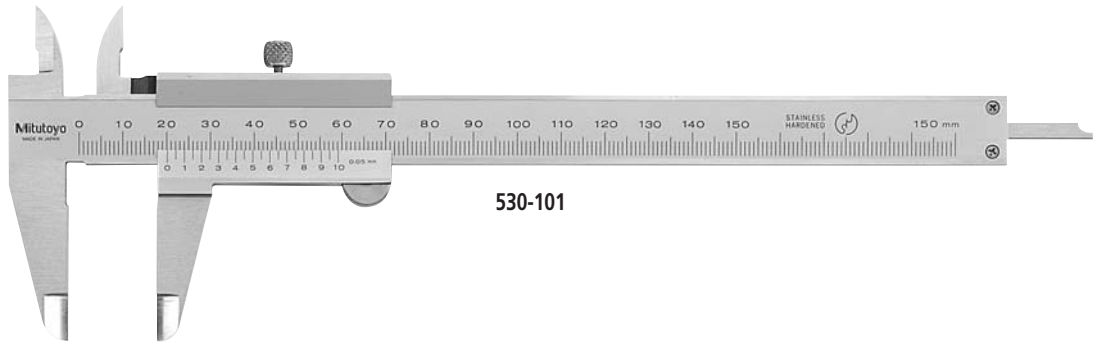
*Without SPC data output

Excluding quantizing error

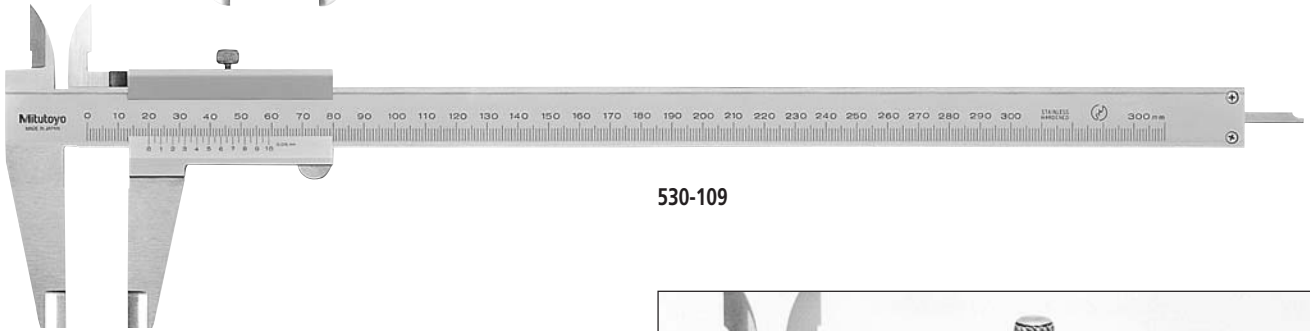
Vernier Caliper

SERIES 530

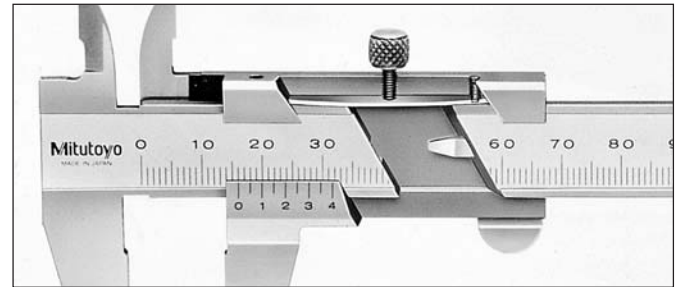
CALIPERS



530-101

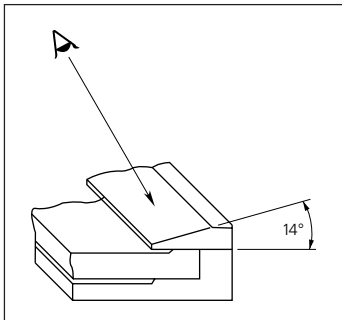


530-109

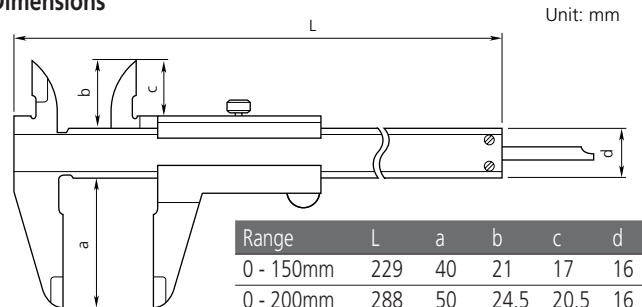


FEATURES

- Plain and basic design.
- Can measure OD (outside diameter), ID (inside diameter), depth, and steps.
- The small vernier face angle (14°) provides easy reading.

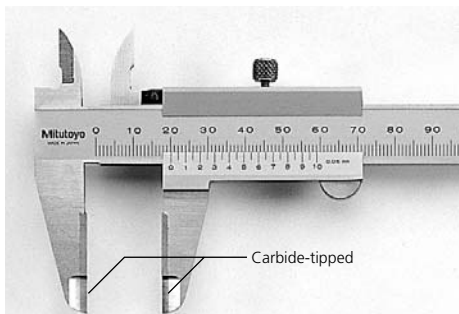


Dimensions

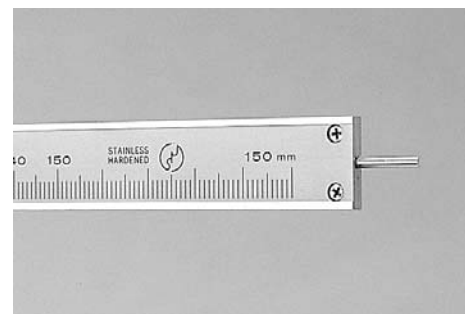


Range	L	a	b	c	d
0 - 150mm	229	40	21	17	16
0 - 200mm	288	50	24.5	20.5	16
0 - 300mm	403	64	27.5	22	20
0 - 600mm	780	90	47	38	25
0 - 1000mm	1240	130	60	50	32

- Clamping screw atop the slider.
- Carbide-tipped jaw type calipers are also available.

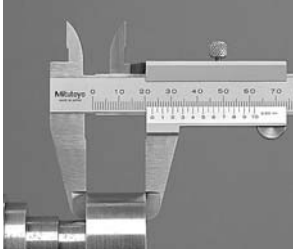


Carbide-tipped jaw type

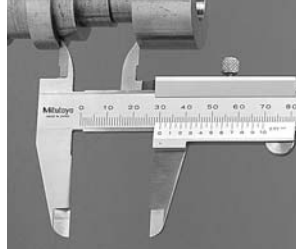


Round depth bar type

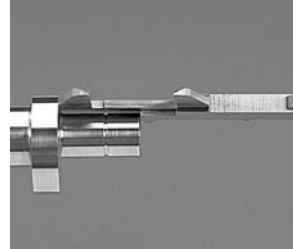
• Measurement applications



OD measurement



ID measurement



Step measurement



Depth measurement



SPECIFICATIONS

Metric

Range Lower scale	Range Upper scale	Order No.	Vernier reading Lower scale	Vernier reading Upper scale	Accuracy	Mass	Remarks
0 - 150mm	—	530-102	0.05mm	—	±0.05mm	145g	With depth measuring rod (ø1.9mm)
		530-101	0.05mm	—	±0.05mm	145g	With depth measuring bar (blade)
		530-320*	0.05mm	—	±0.05mm	145g	With depth measuring bar (blade)
		530-335**	0.05mm	—	±0.05mm	145g	With depth measuring bar (blade)
		530-319 [†]	0.05mm	—	±0.05mm	145g	With depth measuring bar (blade)
		530-122	0.02mm	—	±0.03mm	145g	With depth measuring bar (blade)
0 - 200mm	—	530-108	0.05mm	—	±0.05mm	180g	With depth measuring bar (blade)
		530-321*	0.05mm	—	±0.05mm	180g	With depth measuring bar (blade)
		530-123	0.02mm	—	±0.03mm	180g	With depth measuring bar (blade)
0 - 300mm	—	530-109	0.05mm	—	±0.08mm	355g	With depth measuring bar (blade)
		530-322*	0.05mm	—	±0.08mm	355g	With depth measuring bar (blade)
		530-124	0.02mm	—	±0.04mm	355g	With depth measuring bar (blade)
0 - 600mm	—	530-501	0.05mm	—	±0.10mm	1300g	—
0 - 1000mm	—	530-502	0.05mm	—	±0.15mm	3300g	—

*Provided with carbide-tipped jaws for OD measurement. **Provided with carbide-tipped jaws for OD & ID measurements.
[†]Clamping screw below the slider.

Metric/Inch

Range Lower scale	Range Upper scale	Order No.	Vernier reading Lower scale	Vernier reading Upper scale	Accuracy	Mass	Remarks
0 - 150mm	0 - 6"	530-104	0.05mm	1/128"	±0.05mm	145g	With depth measuring bar (blade)
		530-316 [†]	0.05mm	1/128"	±0.05mm	145g	With depth measuring bar (blade)
		530-125 ^{**}	0.05mm	1/128"	±0.05mm	145g	With depth measuring bar (blade)
		530-312	0.02mm	.001"	±0.03mm	145g	With depth measuring bar (blade)
0 - 200mm	0 - 8"	530-114	0.05mm	1/128"	±0.05mm	180g	With depth measuring bar (blade)
		530-118	0.02mm	.001"	±0.03mm	180g	With depth measuring bar (blade)
0 - 300mm	0 - 12"	530-115	0.05mm	1/128"	±0.08mm	355g	With depth measuring bar (blade)
		530-119	0.02mm	.001"	±0.04mm	355g	With depth measuring bar (blade)

[†]Clamping screw below the slider. ^{**}Inch/mm conversion table is labeled on the back of the slider.

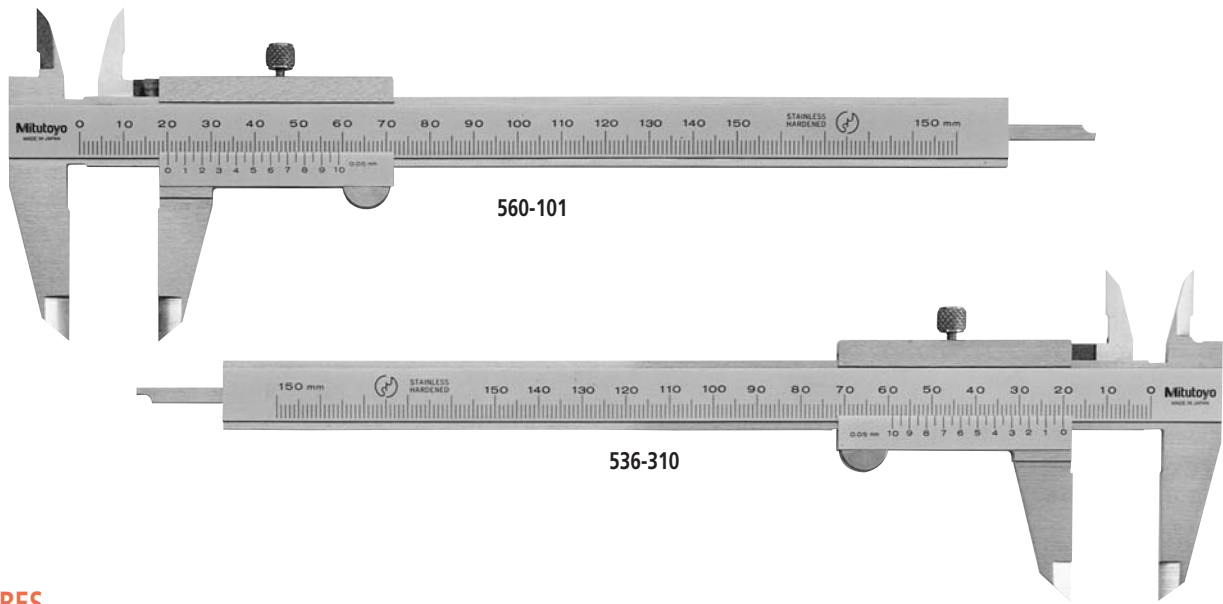
Inch

Range Lower scale	Range Upper scale	Order No.	Vernier reading Lower scale	Vernier reading Upper scale	Accuracy	Mass	Remarks
0 - 6"	—	530-105	.001"	1/128"	±.0015"	.32 lbs.	With depth measuring bar (blade)
		530-314*	.001"	1/128"	±.0015"	.32 lbs.	With depth measuring bar (blade)
0 - 8"	—	530-116	.001"	1/128"	±.0015"	.40 lbs.	With depth measuring bar (blade)

*Provided with carbide-tipped jaws for OD measurement.

Vernier Caliper

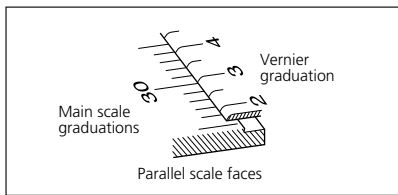
SERIES 560, 536 — Parallax-Free Type



CALIPERS

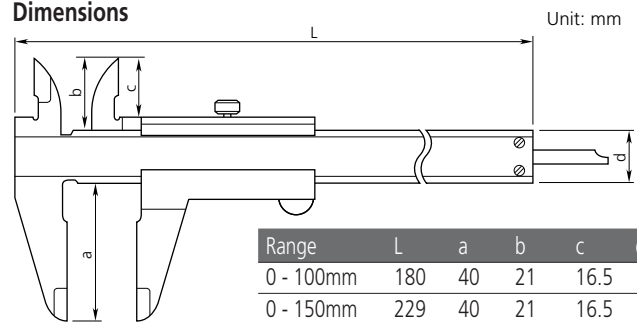
FEATURES

- Parallax-free vernier scales for easy and positive measurement.



- Can measure OD, ID, depth, and steps.
- With clamping screw atop the slider.
- Special model (Series 536) is also available designed for left-handers.

Dimensions



Range	L	a	b	c	d
0 - 100mm	180	40	21	16.5	16
0 - 150mm	229	40	21	16.5	16
0 - 200mm	288	50	24.5	20	16
0 - 300mm	403	64	27.5	22	20

SPECIFICATIONS

Metric

Range lower scale	Range upper scale	Order No.	Vernier reading (lower scale)	Vernier reading (upper scale)	Accuracy	Remarks
0 - 100mm	—	560-110	0.05mm	—	±0.05mm	With depth measuring rod (ø1.9mm)
0 - 150mm	—	560-101	0.05mm	—	±0.05mm	With depth bar
		536-310*	0.05mm	—	±0.05mm	With depth bar
		560-122	0.02mm	—	±0.03mm	With depth bar
0 - 200mm	—	560-108	0.05mm	—	±0.05mm	With depth bar
0 - 300mm	—	560-109	0.05mm	—	±0.08mm	With depth bar

*Left-handed type (Series 536)

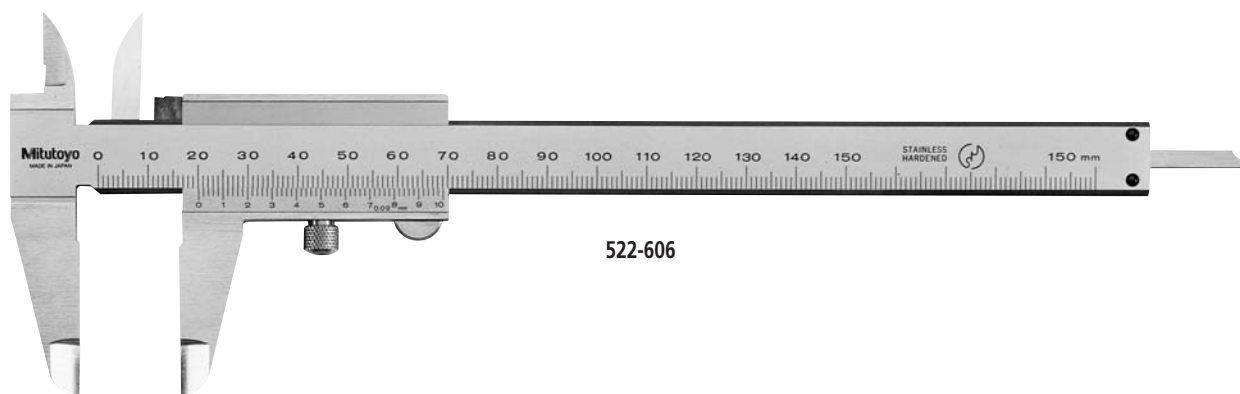
Metric/Inch

Range lower scale	Range upper scale	Order No.	Vernier reading (lower scale)	Vernier reading (upper scale)	Accuracy	Remarks
0 - 100mm	0 - 6"	560-104	0.05mm	1/128"	±0.05mm	With depth bar
0 - 200mm	0 - 8"	560-118	0.02mm	.001"	±0.03mm	With depth bar

*Left-handed type (Series 536)

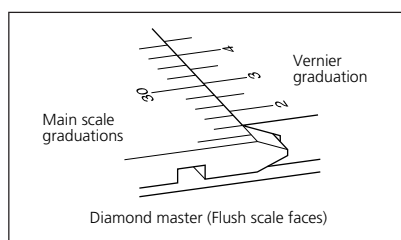
Diamond Master Vernier Caliper

SERIES 522 — Parallax-Free Type

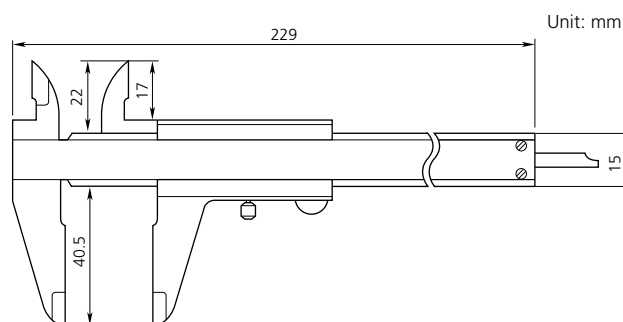


FEATURES

- The main and vernier scales are flush-fitted to eliminate parallax errors because of the diamond-shaped (octagonal) cross section of the main scale.



Dimensions



- Can measure OD, ID, depth, and steps.
- With clamping screw below the slider.

SPECIFICATIONS

Metric

Range lower scale	Range upper scale	Order No.	Vernier reading (lower scale)	Vernier reading (upper scale)	Accuracy	Remarks
0 - 150mm	—	522-600	0.05mm	—	±0.05mm	With depth bar
		522-606	0.02mm	—	±0.03mm	With depth bar

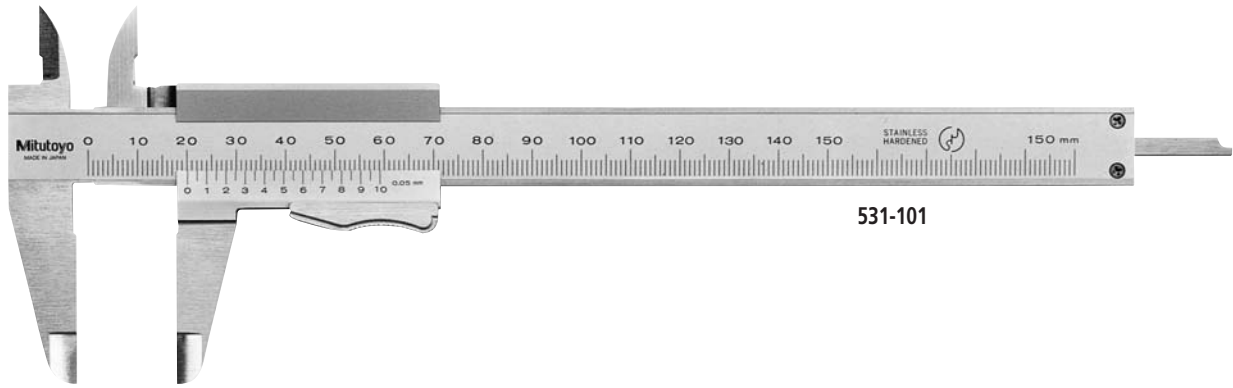
Metric/Inch

Range lower scale	Range upper scale	Order No.	Vernier reading (lower scale)	Vernier reading (upper scale)	Accuracy	Remarks
0 - 150mm	0 - 6"	522-601	0.05mm	1/128"	±0.05mm	With depth bar
		522-602	0.02mm	.001"	±0.03mm	With depth bar



Vernier Caliper

SERIES 531 — with Thumb Clamp

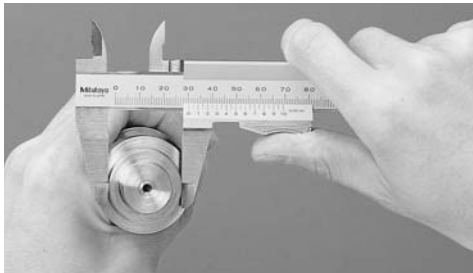


531-101

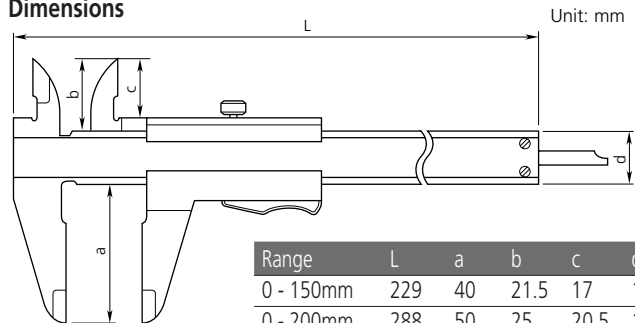
CALIPERS

FEATURES

- The slider moves only when the spring loaded thumb clamp is depressed.
- Can measure OD, ID, depth, and steps.



Dimensions



Range	L	a	b	c	d
0 - 150mm	229	40	21.5	17	16
0 - 200mm	288	50	25	20.5	16
0 - 300mm	403	64	27.5	22	20

SPECIFICATIONS

Metric

Range lower scale	Range upper scale	Order No.	Vernier reading (lower scale)	Vernier reading (upper scale)	Accuracy	Remarks
0 - 150mm	—	531-101	0.05mm	—	±0.05mm	With depth bar
		531-140	0.02mm	—	±0.03mm	With depth bar
0 - 200mm	—	531-102	0.05mm	—	±0.05mm	With depth bar
		531-141	0.02mm	—	±0.03mm	With depth bar
0 - 300mm	—	531-103	0.05mm	—	±0.08mm	With depth bar
		531-142	0.02mm	—	±0.04mm	With depth bar

Inch

Range lower scale	Range upper scale	Order No.	Vernier reading (lower scale)	Vernier reading (upper scale)	Accuracy	Remarks
0 - 6"	0 - 6"	531-113	.001"	1/128"	±.0015"	With depth bar
0 - 8"	0 - 8"	531-114	.001"	1/128"	±.0015"	With depth bar

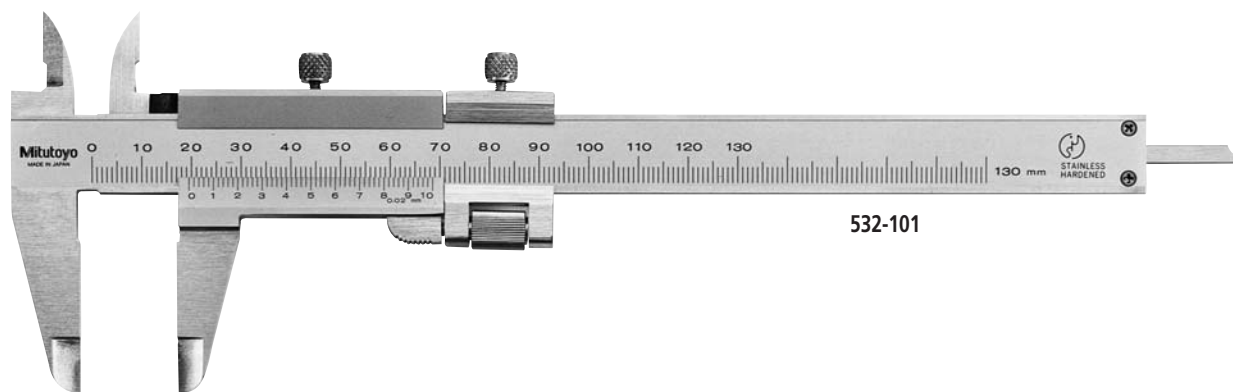
Metric/Inch

Range lower scale	Range upper scale	Order No.	Vernier reading (lower scale)	Vernier reading (upper scale)	Accuracy	Remarks
0 - 150mm	0 - 6"	531-107	0.05mm	1/128"	±0.05mm	With depth bar
		531-122*	0.05mm	1/128"	±0.05mm	With depth bar
		531-128	0.02mm	.001"	±0.03mm	With depth bar
0 - 200mm	0 - 8"	531-108	0.05mm	1/128"	±0.05mm	With depth bar
		531-129	0.02mm	.001"	±0.03mm	With depth bar
0 - 300mm	0 - 12"	531-109	0.05mm	1/128"	±0.08mm	With depth bar
		531-112	0.02mm	.001"	±0.04mm	With depth bar

*mm/inch conversion table is labeled on the underside of slider.

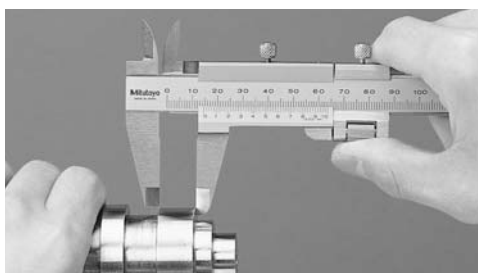
Vernier Caliper

SERIES 532 — with Fine Adjustment

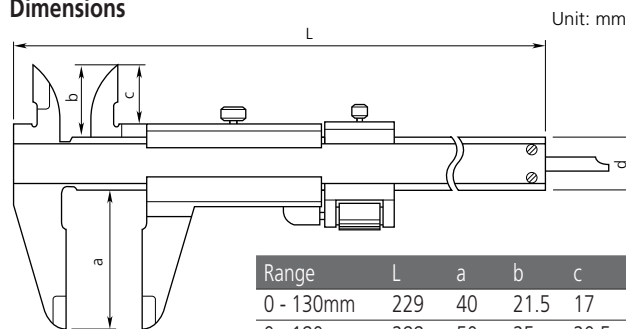


FEATURES

- Provided with a fine-adjustment carriage to feed the slider finely.
- Can measure OD, ID, depth, and steps.



Dimensions



Range	L	a	b	c	d
0 - 130mm	229	40	21.5	17	16
0 - 180mm	288	50	25	20.5	16
0 - 280mm	403	64	27.5	22	20

SPECIFICATIONS

Metric

Range lower scale	Range upper scale	Order No.	Vernier reading (lower scale)	Vernier reading (upper scale)	Accuracy	Remarks
0 - 130mm	—	532-101	0.02mm	—	±0.03mm	With depth bar
0 - 180mm	—	532-102	0.02mm	—	±0.03mm	With depth bar
0 - 280mm	—	532-103	0.02mm	—	±0.03mm	With depth bar

Inch

Range lower scale	Range upper scale	Order No.	Vernier reading (lower scale)	Vernier reading (upper scale)	Accuracy	Remarks
0 - 5"	0 - 5"	532-104	.001"	1/128"	±.0015"	With depth bar
0 - 7"	0 - 7"	532-105	.001"	1/128"	±.0015"	With depth bar
0 - 11"	0 - 11"	532-106	.001"	1/128"	±.0015"	With depth bar

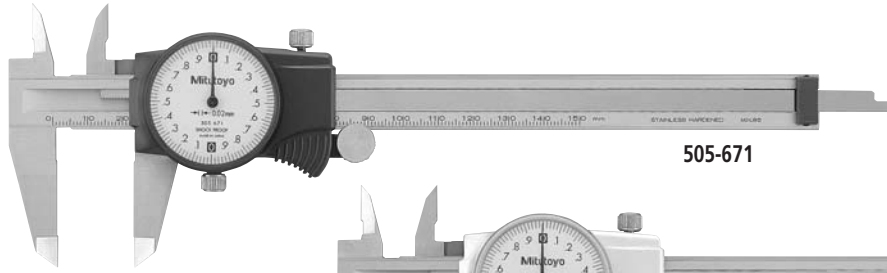
Metric/Inch

Range lower scale	Range upper scale	Order No.	Vernier reading (lower scale)	Vernier reading (upper scale)	Accuracy	Remarks
0 - 130mm	0 - 5"	532-119	0.02mm	.001"	±0.03mm	With depth bar
0 - 180mm	0 - 7"	532-120	0.02mm	.001"	±0.03mm	With depth bar
0 - 280mm	0 - 11"	532-121	0.02mm	.001"	±0.04mm	With depth bar



Dial Caliper

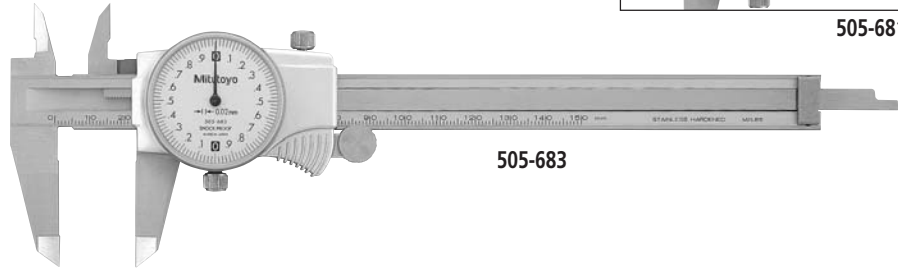
SERIES 505



505-671



505-681



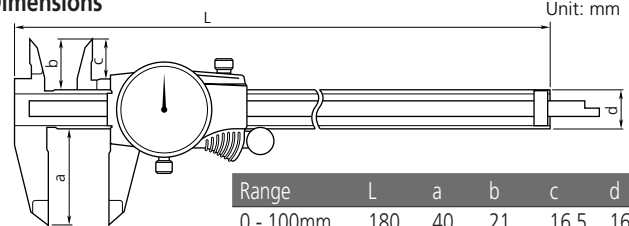
505-683

CALIPERS

FEATURES

- New designed dial movement for ultra smooth sliding and high shock protection.
- Titanium coating is applied to the sliding surface to strengthen the durability (except for 0 - 300mm and 0 - 12" model). No wearing by 100,000-time sliding test.
- Can measure OD, ID, depth, and steps.
- Clamping screw atop the slider.
- Special models available with carbide-tipped OD and ID jaws.

Dimensions



Range	L	a	b	c	d
0 - 100mm	180	40	21	16.5	16
0 - 150mm	231	40	21	16.5	16
0 - 200mm	288	50	24.5	20	16
0 - 300mm	403	64	27.5	22	20

SPECIFICATIONS

Metric

Range	Order No.	Dial reading	Graduation	Dial reading Range/rev.	Accuracy	Remarks
0 - 100mm	505-680	0.01mm		1mm	±0.015mm	With depth bar, gray cover
0 - 150mm	505-683	0.02mm		2mm	±0.03mm	With depth bar, silver cover
	505-671	0.02mm		2mm	±0.03mm	With depth bar, gray cover
	505-707*	0.02mm		2mm	±0.03mm	With depth bar, gray cover
	505-711**	0.02mm		2mm	±0.03mm	With depth bar, gray cover
	505-685	0.01mm		1mm	±0.02mm	With depth bar, silver cover
	505-681	0.01mm		1mm	±0.02mm	With depth bar, gray cover
0 - 200mm	505-684	0.02mm		2mm	±0.03mm	With depth bar, silver cover
	505-672	0.02mm		2mm	±0.03mm	With depth bar, gray cover
	505-686	0.01mm		1mm	±0.03mm	With depth bar, silver cover
	505-682	0.01mm		1mm	±0.03mm	With depth bar, gray cover
0 - 300mm	505-673	0.02mm		2mm	±0.04mm	With depth bar, gray cover

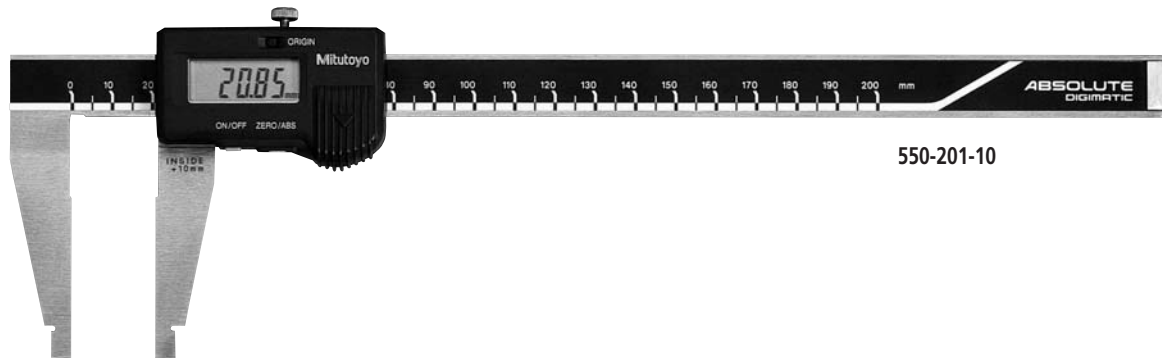
Inch

Range	Order No.	Dial reading	Graduation	Dial reading Range/rev.	Accuracy	Remarks
0 - 4"	505-674	.001"		.1"	±.001"	With depth bar, gray cover
0 - 6"	505-689	.001"		.1"	±.001"	With depth bar, silver cover
	505-675	.001"		.1"	±.001"	With depth bar, gray cover
	505-708*	.001"		.1"	±.001"	With depth bar, gray cover
	505-712**	.001"		.1"	±.001"	With depth bar, gray cover
0 - 8"	505-690	.001"		.1"	±.002"	With depth bar, silvercover
	505-676	.001"		.1"	±.002"	With depth bar, gray cover
	505-709*	.001"		.1"	±.002"	With depth bar, gray cover
	505-713**	.001"		.1"	±.002"	With depth bar, gray cover
0 - 12"	505-720	.001"		.2"	±.002"	With depth bar, gray cover
	505-677	.001"		.1"	±.002"	With depth bar, silver cover
	505-721*	.001"		.2"	±.002"	With depth bar, gray cover
	505-710*	.001"		.1"	±.002"	With depth bar, silver cover
	505-714**	.001"		.1"	±.002"	With depth bar, silver cover

*Provided with carbide-tipped jaws for OD measurement.
 **Provided with carbide-tipped jaws for OD & ID measurements.

Digimatic Caliper

SERIES 550 — with Nib Style Jaws



550-201-10

Mitutoyo's Absolute Digimatic Caliper keeps track of its origin point (jaws-closed point) once set. Whenever turned on, the large LCD screen displays the actual slider position to start measurement. No more repeated zero-setting is necessary.

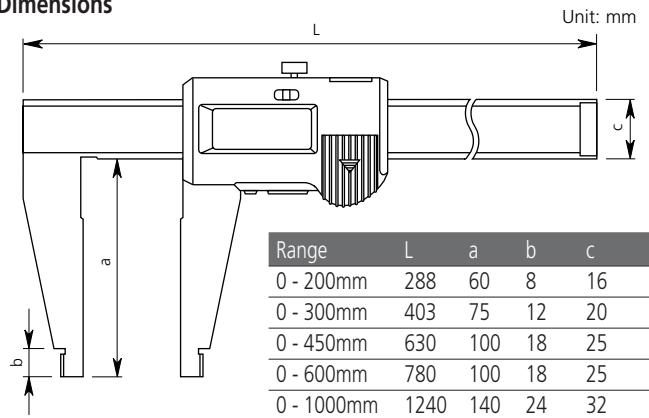
FEATURES

- The rounded faces of the jaws are ideal for accurate ID (inside diameter) measurement.
- Depth measuring bar is not provided.
- Data Hold Unit (**959143**) is optional.

Technical Data

Display: LCD
Functions: Origin-Set, Zero-Set, power on/off, inch/mm conversion (inch/mm type only), SPC data output, data hold (optional), offset, preset
Battery: SR44 (1 pc.) (**938882**)
Battery life: Approx. 3.5 years under normal use
Maximum response speed: Unlimited
Alarm: Low battery voltage, scale contamination, counting value composition error
Operating temperature: 0°C to 40°C

Dimensions



OPTIONAL ACCESSORIES

Order No.	Description
959143	Data Hold Unit
959149	SPC cable with data switch (1m)
959150	SPC cable with data switch (2m)

SPECIFICATIONS

Metric

Range	Order No.	Resolution	Accuracy	Mass	Remarks
0 - 200mm	550-201-10	0.01mm	±0.03mm	180g	ID measuring range: 10 - 200mm
0 - 300mm	550-231-10*	0.01mm	±0.03mm	380g	ID measuring range: 10 - 300mm
0 - 200mm	550-203-10	0.01mm	±0.05mm	1110g	ID measuring range: 20 - 450mm
0 - 300mm	550-205-10	0.01mm	±0.05mm	1290g	ID measuring range: 20 - 600mm
0 - 450mm	550-207-10	0.01mm	±0.07mm	3350g	ID measuring range: 20 - 1000mm

*Provided with offset-value setting and preset functions for easy ID measurement.

Excluding quantizing error

Inch/Metric

Range	Order No.	Resolution	Accuracy	Mass	Remarks
0 - 8" (0 - 200mm)	550-221-10	.0005"/0.01mm	±.001mm	.40 lbs.	ID measuring range: .4" - 8"
0 - 12" (0 - 300mm)	550-241-10*	.0005"/0.01mm	±.0015mm	.84 lbs.	ID measuring range: .4" - 12"
0 - 18" (0 - 450mm)	550-223-10	.0005"/0.01mm	±.002mm	2.44 lbs.	ID measuring range: .5" - 18"
0 - 24" (0 - 600mm)	550-225-10	.0005"/0.01mm	±.002mm	2.84 lbs.	ID measuring range: .5" - 24"
0 - 40" (0 - 1000mm)	550-227-10	.0005"/0.01mm	±.003mm	7.37 lbs.	ID measuring range: 1" - 40"

*Provided with offset-value setting and preset functions for easy ID measurement.

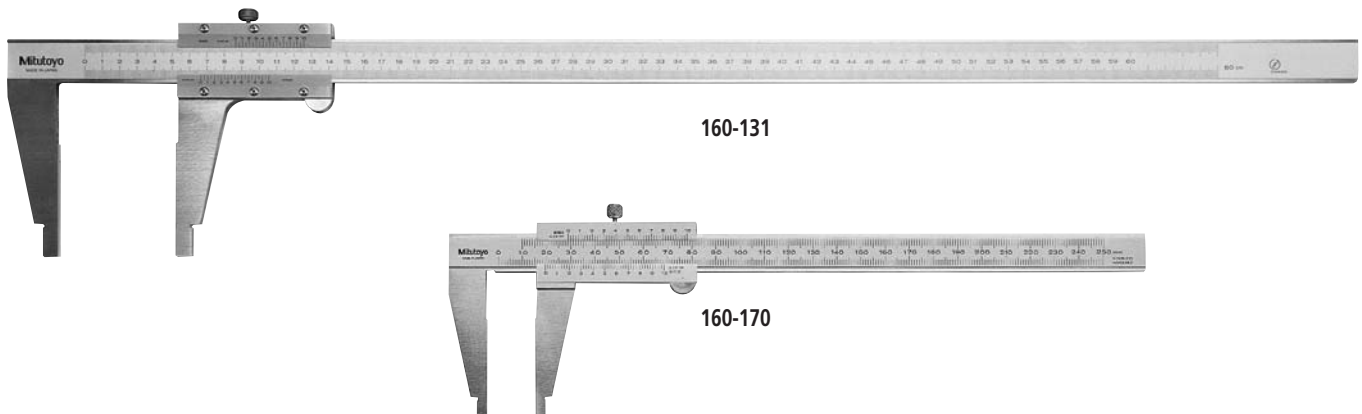
Excluding quantizing error



Vernier Caliper

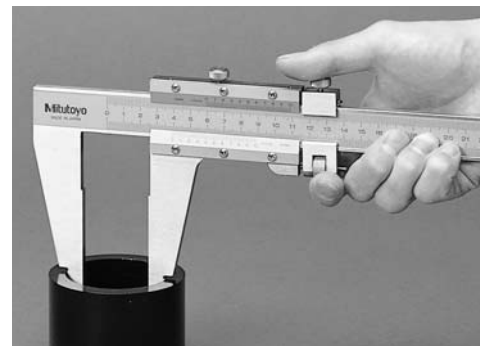
SERIES 160 — with Nib Style Jaws

CALIPERS



FEATURES

- The jaws have round measuring faces for accurate ID measurement.
- With or without a fine-adjustment carriage to feed the slider finely.
- Inside and outside measurements can be directly read from the upper and lower slider graduations, respectively. (Metric model or inch model only).
- No depth measuring bar.

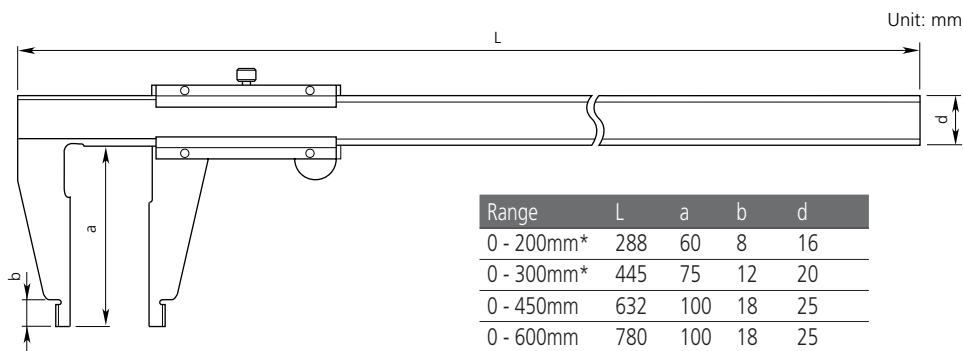


SPECIFICATIONS

Metric/Inch

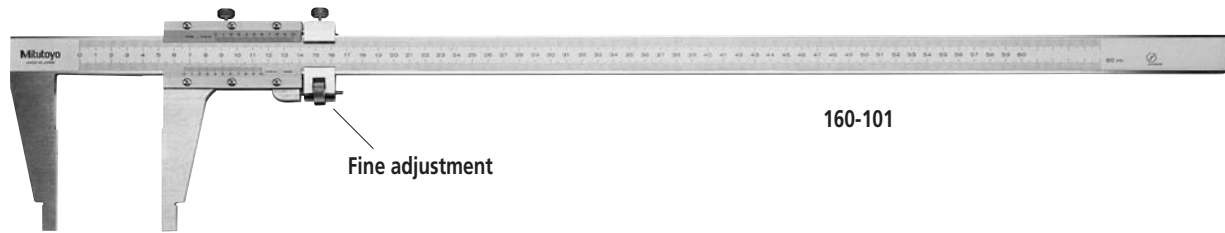
Range (OD)	Range (ID)	Order No.	Vernier reading (OD)	Vernier reading (ID)	Accuracy	Remarks
0 - 200mm	10 - 200mm	160-170	0.02mm	0.02mm	±0.03mm	Parallax-free type
0 - 300mm	10 - 300mm	160-180	0.02mm	0.02mm	±0.04mm	Parallax-free type
0 - 450mm	20 - 450mm	160-130	0.05mm	0.05mm	±0.1mm	—
0 - 600mm	20 - 600mm	160-131	0.05mm	0.05mm	±0.1mm	—
0 - 1000mm	20 - 1000mm	160-132	0.05mm	0.05mm	±0.15mm	—
0 - 1500mm	20 - 1500mm	160-133	0.05mm	0.05mm	±0.22mm	—
0 - 2000mm	20 - 2000mm	160-134	0.05mm	0.05mm	±0.28mm	—

Dimensions



Range	L	a	b	d
0 - 200mm*	288	60	8	16
0 - 300mm*	445	75	12	20
0 - 450mm	632	100	18	25
0 - 600mm	780	100	18	25
0 - 1000mm	1240	140	24	32
0 - 1500mm	1800	180	30	32
0 - 2000mm	2300	180	30	40

*Parallax-free type



160-101

SPECIFICATIONS

Metric Vernier calipers with fine adjustment

Range (OD)	Range (ID)	Order No.	Vernier reading (OD)	Vernier reading (ID)	Accuracy	Remarks
0 - 300mm	10 - 300mm	160-127	0.02mm	0.02mm	±0.04mm	—
0 - 450mm	20 - 450mm	160-128	0.02mm	0.02mm	±0.05mm	—
0 - 600mm	20 - 600mm	160-101	0.02mm	0.02mm	±0.05mm	—
0 - 1000mm	20 - 1000mm	160-104	0.02mm	0.02mm	±0.07mm	—
0 - 1500mm	20 - 1500mm	160-110	0.02mm	0.02mm	±0.09mm	—
0 - 2000mm	20 - 2000mm	160-113	0.02mm	0.02mm	±0.12mm	—

Inch Vernier calipers with fine adjustment

Range (OD)	Range (ID)	Order No.	Vernier reading (OD)	Vernier reading (ID)	Accuracy	Remarks
0 - 12"	.3" - 12"	160-124	.001"	.001"	±.0015"	—
0 - 18"	.5" - 18"	160-116	.001"	.001"	±.002"	—
0 - 24"	.5" - 24"	160-102	.001"	.001"	±.002"	—
0 - 40"	1" - 40"	160-105	.001"	.001"	±.003"	—
0 - 60"	1" - 60"	160-111	.001"	.001"	±.004"	—
0 - 80"	1" - 80"	160-114	.001"	.001"	±.005"	—

Metric/Inch Vernier calipers with fine adjustment

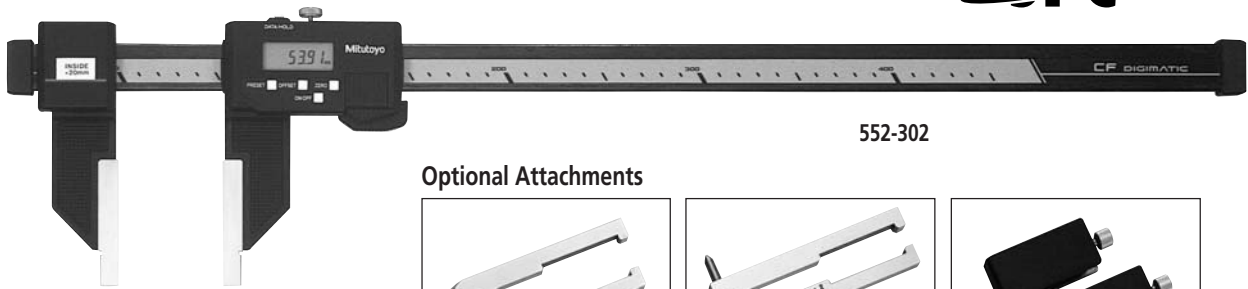
Range lower scale	Range upper scale	Order No.	Vernier reading (lower scale)	Vernier reading (upper scale)	Accuracy	Remarks
0 - 300mm	0 - 12"	160-150	0.02mm	.001"	±0.04mm	With fine adjustment
0 - 450mm	0 - 18"	160-151	0.02mm	.001"	±0.05mm	—
0 - 600mm	0 - 24"	160-153	0.02mm	.001"	±0.05mm	—
0 - 1000mm	0 - 40"	160-155	0.02mm	.001"	±0.07mm	—
0 - 1500mm	0 - 60"	160-157	0.02mm	.001"	±0.09mm	—
0 - 2000mm	0 - 80"	160-159	0.02mm	.001"	±0.12mm	—

Inch/Metric Vernier calipers with fine adjustment

Range lower scale	Range upper scale	Order No.	Vernier reading (lower scale)	Vernier reading (upper scale)	Accuracy	Remarks
0 - 12"	0 - 300mm	160-125	.001"	0.02mm	±.0015"	—
0 - 18"	0 - 450mm	160-119	.001"	0.02mm	±.002"	—
0 - 24"	0 - 600mm	160-103	.001"	0.02mm	±.002"	—
0 - 40"	0 - 1000mm	160-106	.001"	0.02mm	±.003"	—
0 - 60"	0 - 1500mm	160-112	.001"	0.02mm	±.004"	—
0 - 80"	0 - 2000mm	160-115	.001"	0.02mm	±.005"	—

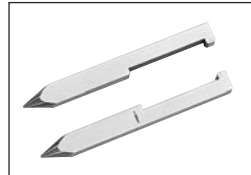
Digimatic Carbon Fiber Caliper

SERIES 552 — Wide Range Models with a Lightweight Beam

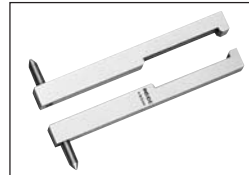


552-302

Optional Attachments



Centerline Attachments



Pointed ID Measuring Attachments



Attachment Clamps

FEATURES

- Lightweight Digimatic Calipers that employ CFRP (Carbon Fiber Reinforced Plastics) in the beam and jaws.
- Highly durable and easy to handle.
- The range of applications can be expanded by using the optional attachments.
- Direct readout of ID measurements from the LCD. (Offset value can be set easily by pressing the Offset key.)
- Preset function for setting a desired starting point.
- Power supply: One SR44 battery (**938882**) offers approx. 2 years of use under normal working conditions.
- With SPC data output.
- Special model available with ceramic jaws which are suitable to measure magnetic products.

OPTIONAL ACCESSORIES

Order No.	Description
905338	SPC cable (1m)
905409	SPC cable (2m)
905689	SPC cable, L-type (1m)*
905690	SPC cable, L-type (2m)*
914055	Centerline Attachments (mm)**
914056	Centerline Attachments (inch)**
914057	Pointed ID Measuring Attachments (mm)**
914058	Pointed ID Measuring Attachments (inch)**
914053	Attachment Clamps (for models up to 600mm/24" range)
914054	Attachment Clamps (for models over 600mm/24" range)

*Connector bent back
**Attachment Clamps are required.

SPECIFICATIONS

Metric		Digimatic carbon fiber calipers				
Range (OD)	Range (ID)	Order No.	Resolution	Accuracy	Mass	Remarks
0 - 300mm	20 - 320mm	552-301	0.01mm	±0.04mm	530g	—
0 - 450mm	20 - 470mm	552-302	0.01mm	±0.05mm	600g	—
		552-155	0.01mm	±0.05mm	600g	With ceramic jaws
0 - 600mm	20 - 620mm	552-303	0.01mm	±0.05mm	670g	—
		552-156	0.01mm	±0.05mm	670g	With ceramic jaws
0 - 1000mm	20 - 1020mm	552-304	0.01mm	±0.07mm	2100g	—
0 - 1500mm	20 - 1520mm	552-305	0.01mm	±0.09mm	2400g	—

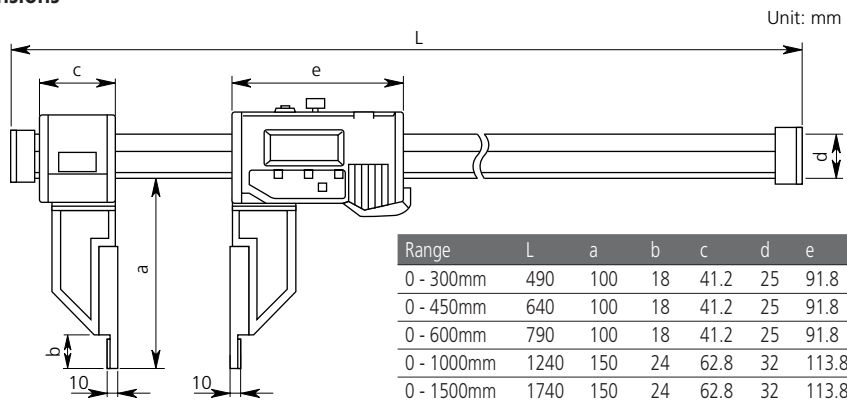
Excluding quantizing error

Inch/Metric		Digimatic carbon fiber calipers				
Range (OD)	Range (ID)	Order No.	Resolution	Accuracy	Mass	Remarks
0 - 12"/0 - 300mm	.5" - 12.5"/12.7 - 312mm	552-311	.0005"/0.01mm	±.0015"	1.17 lbs.	—
0 - 18"/0 - 450mm	.5" - 18.5"/12.7 - 462mm	552-312	.0005"/0.01mm	±.002"	1.32 lbs.	—
		552-165	.0005"/0.01mm	±.002"	1.32 lbs.	With ceramic jaws
0 - 24"/0 - 600mm	.5" - 24.5"/12.7 - 612mm	552-313	.0005"/0.01mm	±.002"	1.48 lbs.	—
		552-166	.0005"/0.01mm	±.002"	1.48 lbs.	With ceramic jaws
0 - 40"/0 - 1000mm	1" - 41"/25.4 - 1025mm	552-314	.0005"/0.01mm	±.003"	4.62 lbs.	—
0 - 60"/0 - 1500mm	1" - 61"/25.4 - 1525mm	552-315	.0005"/0.01mm	±.0035"	5.28 lbs.	—

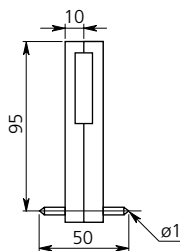
Excluding quantizing error



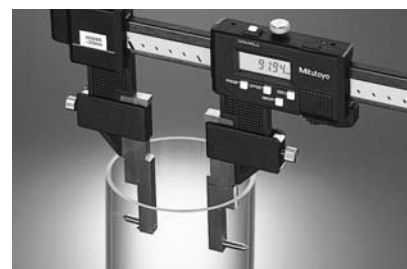
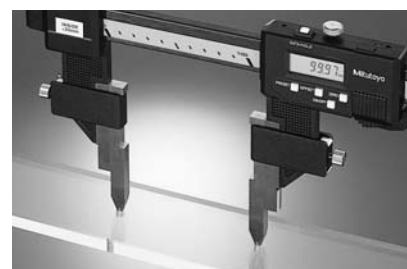
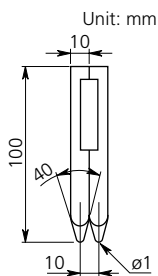
Dimensions



Pointed ID Measuring Attachments



Centerline Attachments



CALIPERS



SPECIFICATIONS

Metric Digimatic carbon fiber calipers with long jaws

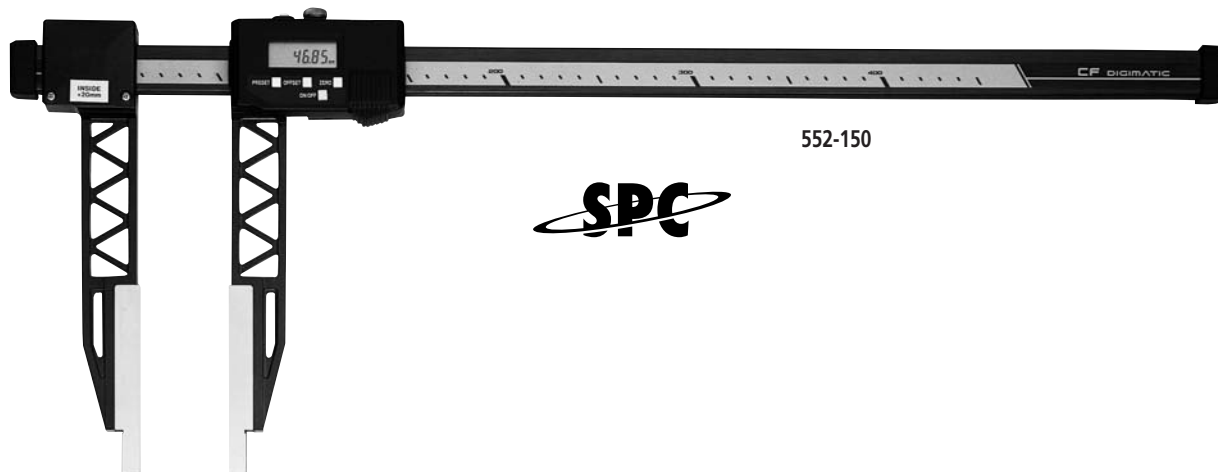
Range (OD)	Range (ID)	Order No.	Resolution	Accuracy	Mass	Remarks
0 - 450mm	20 - 470mm	552-150	0.01mm	±0.07mm	1170g	Depth of jaws: 200mm
0 - 600mm	20 - 620mm	552-151	0.01mm	±0.07mm	1370g	Depth of jaws: 200mm

Excluding quantizing error

Inch/Metric Digimatic carbon fiber calipers with long jaws

Range (OD)	Range (ID)	Order No.	Resolution	Accuracy	Mass	Remarks
0 - 18"/0 - 450mm	.5" - 18.5"/12.7 - 462mm	552-160	.0005"/0.01mm	±.003"	2.57 lbs.	Depth of jaws: 7.9"
0 - 24"/0 - 600mm	.5" - 24.5"/12.7 - 612mm	552-161	.0005"/0.01mm	±.003"	3.01 lbs.	Depth of jaws: 7.9"

Note: Centerline Attachments and Pointed ID Measuring Attachments are not available. Excluding quantizing error



552-150



Digimatic Carbon Fiber Caliper

SERIES 552 — with Interchangeable Jaws



552-181

CALIPERS

FEATURES

- The range of applications can be expanded by using the interchangeable jaws (optional).
- Quick and easy exchanging of jaws due to the unique clamping mechanism. (A pair of clamping wheels are standard accessories.)
- Provided with preset function for setting a desired starting point, which allows direct readout of offset measurements.
- Power supply: One SR44 battery (938882) offers approx. 2 years of use under normal working conditions.
- With SPC data output.

SPECIFICATIONS

Metric				
Range	Order No.	Resolution	Accuracy	Mass
0 - 450mm	552-181	0.01mm	±0.04mm	730g
0 - 600mm	552-182	0.01mm	±0.04mm	770g

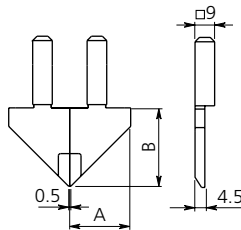
Excluding quantizing error

Inch/Metric				
Range	Order No.	Resolution	Accuracy	Mass
0 - 18"/0 - 450mm	552-191	.0005"/0.01mm	±.002"	1.6 lbs.
0 - 24"/0 - 600mm	552-192	.0005"/0.01mm	±.002"	1.69 lbs.

Excluding quantizing error

Interchangeable Jaws (Optional)

Unit: mm



Standard Type

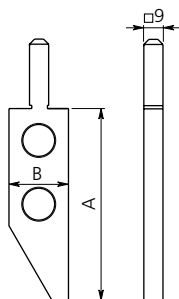
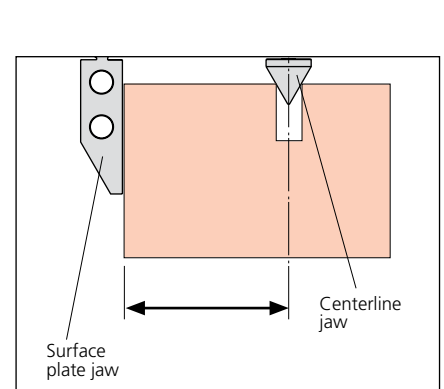
Order No.	Components	A	B
07CZA056	Right (07CAA044), Left (07CAA045)	28mm (1.1")	36mm (1.4")

Centerline Type

Metric			
Order No.	Components	A	B
07CZA057	07CZA039 x 2pcs.	30mm	30mm

Inch

Order No.	Components	A	B
07CZA060	07CZA047 x 2pcs.	1.2"	1.2"



Surface Plate Type

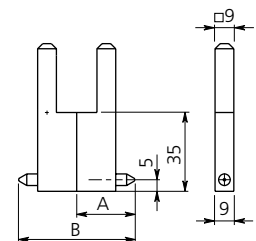
Order No.	A	B
07CZA044	90mm (3.5")	28mm (1.1")

Scriber Type

Metric			
Order No.	Components	A	B
07CZA055	Right (07CZA042), Left (07CZA043)	8mm	30mm

Inch

Order No.	Components	A	B
07CZA061	Right (07CZA042), Left (07CZA049)	.31"	1.2"



Inside Point Type

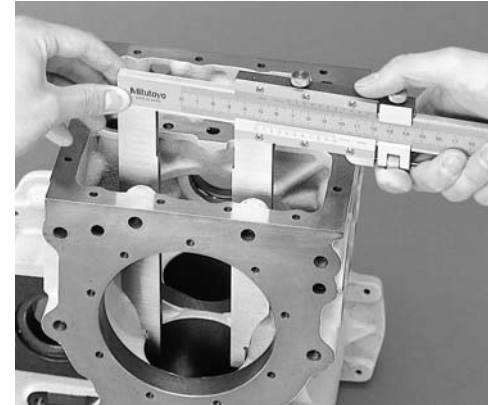
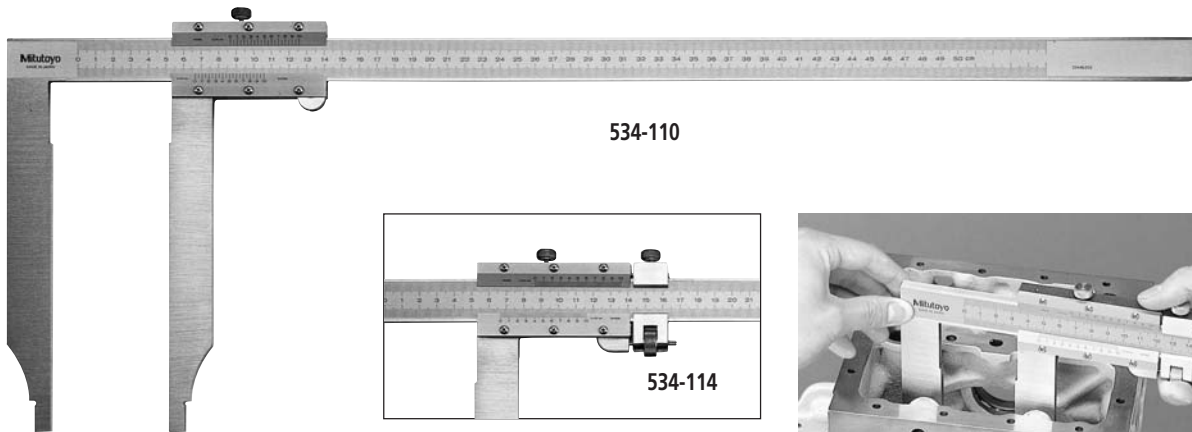
Metric			
Order No.	Components	A	B
07CZA058	07CZA041 x 2pcs.	25mm	50mm

Inch

Order No.	Components	A	B
07CZA059	07CZA048 x 2pcs.	1"	2"

Long Jaw Vernier Caliper

SERIES 534



CALIPERS



FEATURES

- Long jaws for measuring hard-to-reach portions.

SPECIFICATIONS

Metric Long jaw vernier calipers						
Range (OD)	Range (ID)	Order No.	Vernier reading (OD)	Vernier reading (ID)	Accuracy	Remarks
0 - 300mm	10 - 300mm	534-109	0.05mm	0.05mm	±0.07mm	Depth of jaws: 90mm
0 - 500mm	20 - 500mm	534-110	0.05mm	0.05mm	±0.13mm	Depth of jaws: 200mm

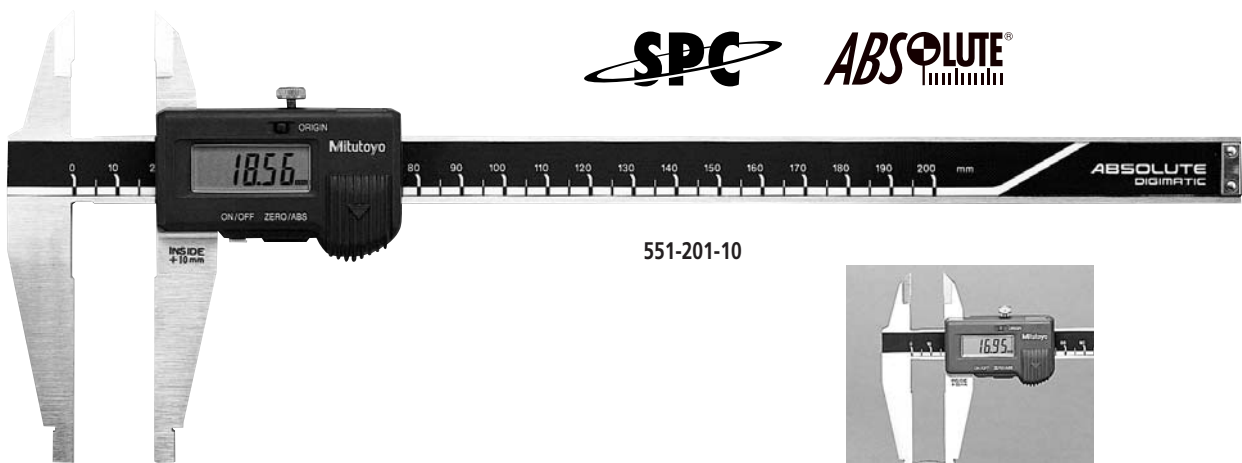
Metric Long jaw vernier calipers with fine adjustment						
Range (OD)	Range (ID)	Order No.	Vernier reading (OD)	Vernier reading (ID)	Accuracy	Remarks
0 - 300mm	10 - 300mm	534-113	0.02mm	0.02mm	±0.04mm	Depth of jaws: 90mm
0 - 500mm	20 - 500mm	534-114	0.02mm	0.02mm	±0.06mm	Depth of jaws: 200mm
0 - 750mm	20 - 750mm	534-115	0.02mm	0.02mm	±0.08mm	Depth of jaws: 200mm
0 - 1000mm	20 - 1000mm	534-116	0.02mm	0.02mm	±0.10mm	Depth of jaws: 200mm

Inch Long jaw vernier calipers with fine adjustment						
Range (OD)	Range (ID)	Order No.	Vernier reading (OD)	Vernier reading (ID)	Accuracy	Remarks
0 - 12"	.3" - 12"	534-117	.001"	.001"	±.002"	Depth of jaws: 3.5"
0 - 20"	.8" - 20"	534-118	.001"	.001"	±.003"	Depth of jaws: 7.9"
0 - 30"	.8" - 30"	534-119	.001"	.001"	±.004"	Depth of jaws: 7.9"
0 - 40"	.8" - 40"	534-120	.001"	.001"	±.004"	Depth of jaws: 7.9"

Metric/Inch Long jaw vernier calipers with fine adjustment						
Range lower scale	Range upper scale	Order No.	Vernier reading (lower scale)	Vernier reading (upper scale)	Accuracy	Remarks
0 - 300mm	0 - 12"	534-101	0.05mm	1/128"	±0.07mm	Depth of jaws: 90mm
		534-105	0.02mm	.001"	±0.04mm	Depth of jaws: 90mm
0 - 500mm	0 - 20"	534-102	0.05mm	1/128"	±0.13mm	Depth of jaws: 200mm
		534-106	0.02mm	.001"	±0.06mm	Depth of jaws: 200mm
0 - 750mm	0 - 30"	534-103	0.05mm	1/128"	±0.16mm	Depth of jaws: 200mm
		534-107	0.02mm	.001"	±0.08mm	Depth of jaws: 200mm
0 - 1000mm	0 - 40"	534-104	0.05mm	1/128"	±0.20mm	Depth of jaws: 200mm
		534-108	0.02mm	.001"	±0.10mm	Depth of jaws: 200mm

Digimatic Caliper

SERIES 551 — with Nib Style and Standard Jaws



551-201-10



Mitutoyo's Absolute Digimatic Caliper keeps track of its origin point (jaws-closed point) once set. Whenever turned on, the large LCD screen displays the actual slider position to start measurement. No more repeated zero-setting is necessary.

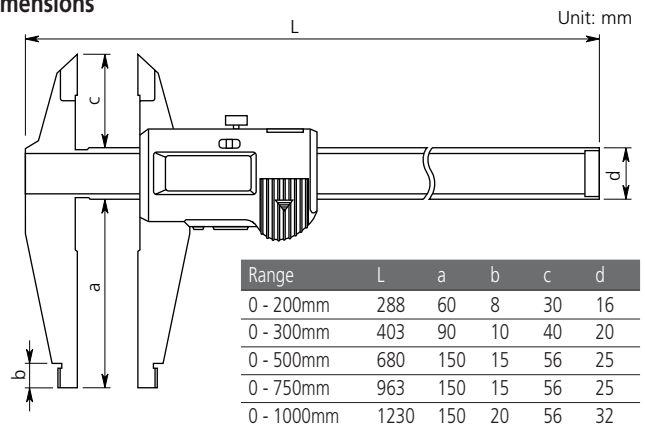
FEATURES

- The rounded faces of the jaws are ideal for accurate ID (inside diameter) measurement.
- Depth measuring bar is not provided.
- Data Hold Unit (**959143**) is optional.

Technical Data

Display: LCD
Functions: Origin-Set, Zero-Set, power on/off, inch/mm conversion (inch/mm type only), SPC data output, data hold (optional), offset, preset
Battery: SR44 (1 pc.) (**938882**)
Battery life: Approx. 3.5 years under normal use
Maximum response speed: Unlimited
Alarm: Low battery voltage, scale contamination, counting value composition error
Operating temperature: 0°C to 40°C

Dimensions



OPTIONAL ACCESSORIES

Order No.	Description
959143	Data Hold Unit
959149	SPC cable with data switch (1m)
959150	SPC cable with data switch (2m)

SPECIFICATIONS

Metric

Range	Order No.	Resolution	Accuracy	Mass	Remarks
0 - 200mm	551-201-10	0.01mm	±0.03mm	190g	ID measuring range: 10 - 200mm
0 - 300mm	551-231-10*	0.01mm	±0.04mm	420g	ID measuring range: 10 - 300mm
0 - 500mm	551-204-10	0.01mm	±0.06mm	1060g	ID measuring range: 20 - 500mm
0 - 750mm	551-206-10	0.01mm	±0.06mm	1410g	ID measuring range: 20 - 750mm
0 - 1000mm	551-207-10	0.01mm	±0.07mm	3430g	ID measuring range: 20 - 1000mm

*Provided with offset-value setting and preset functions for easy ID measurement.

Excluding quantizing error

Inch/Metric

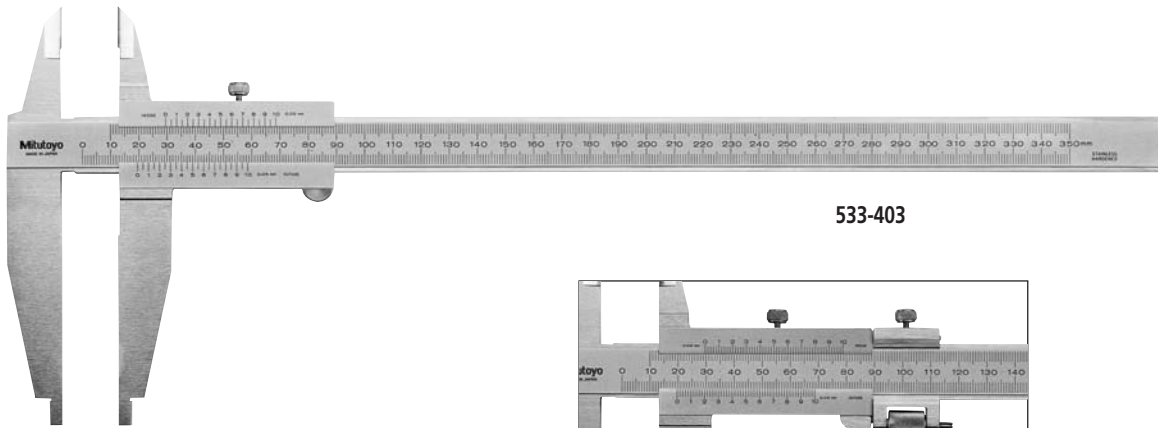
Range	Order No.	Resolution	Accuracy	Mass	Remarks
0 - 8" (0 - 200mm)	551-221-10	.0005"/0.01mm	±.001"	.42 lbs.	ID measuring range: .4" - 8"
0 - 12" (0 - 300mm)	551-241-10*	.0005"/0.01mm	±.002"	.92 lbs.	ID measuring range: .4" - 12"
0 - 20" (0 - 500mm)	551-224-10	.0005"/0.01mm	±.0025"	2.33 lbs.	ID measuring range: .5" - 20"
0 - 30" (0 - 750mm)	551-226-10	.0005"/0.01mm	±.0025"	3.10 lbs.	ID measuring range: .5" - 30"
0 - 40" (0 - 1000mm)	551-227-10	.0005"/0.01mm	±.003"	7.55 lbs.	ID measuring range: 1" - 40"

*Provided with offset-value setting and preset functions for easy ID measurement.

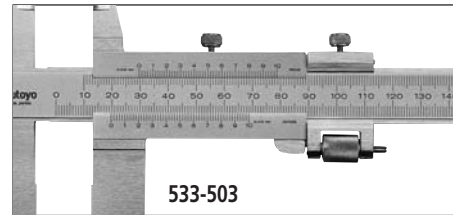
Excluding quantizing error

Vernier Caliper

SERIES 533 — with Nib Style and Standard Jaws



533-403

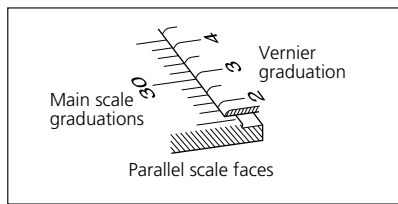


533-503

With fine adjustment

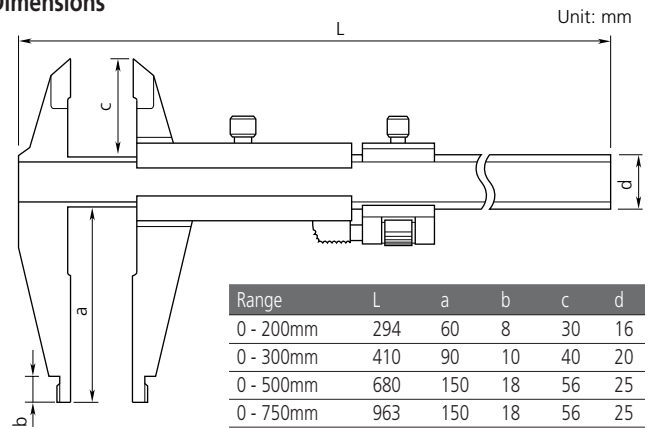
FEATURES

- The nib style jaws have round measuring faces for accurate ID measurement.
- The standard sharp edged jaws provide easy access to portions that ordinary calipers cannot measure.
- Parallax-free vernier scales for easy and positive measurements.



- No depth bar.

Dimensions



Range	L	a	b	c	d
0 - 200mm	294	60	8	30	16
0 - 300mm	410	90	10	40	20
0 - 500mm	680	150	18	56	25
0 - 750mm	963	150	18	56	25
0 - 1000mm	1230	150	20	56	32

SPECIFICATIONS

Metric Vernier calipers

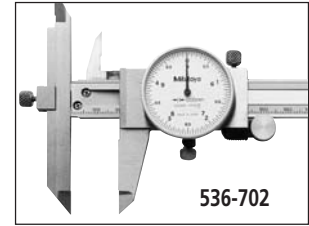
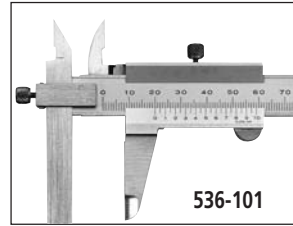
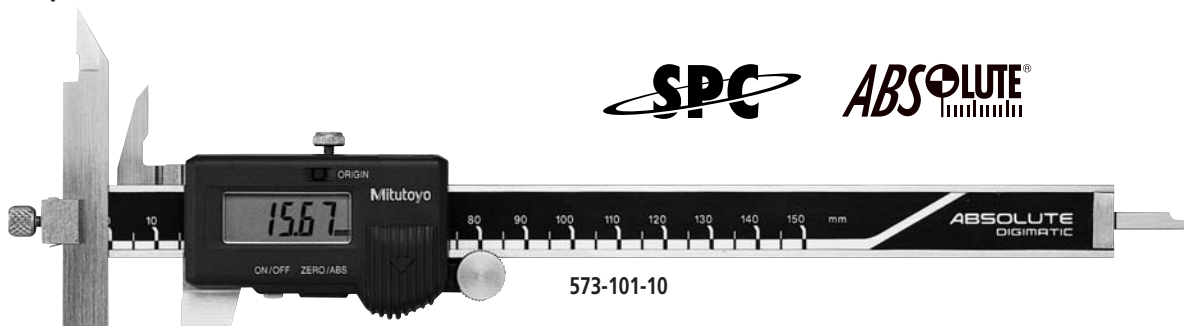
Range	Order No.	Vernier reading	Accuracy	Mass	Remarks
0 - 200mm	533-401	0.05mm	±0.05mm	220g	ID measuring range: 10 - 200mm
0 - 300mm	533-403	0.05mm	±0.08mm	370g	ID measuring range: 10 - 300mm
0 - 500mm	533-404	0.05mm	±0.10mm	1200g	ID measuring range: 20 - 500mm
0 - 750mm	533-405	0.05mm	±0.12mm	1500g	ID measuring range: 20 - 750mm
0 - 1000mm	533-406	0.05mm	±0.15mm	3300g	ID measuring range: 20 - 1000mm

Metric Vernier calipers with fine adjustment

Range	Order No.	Vernier reading	Accuracy	Mass	Remarks
0 - 280mm	533-503	0.02mm	±0.04mm	405g	ID measuring range: 10 - 280mm
0 - 500mm	533-504	0.02mm	±0.05mm	1250g	ID measuring range: 20 - 500mm
0 - 750mm	533-505	0.02mm	±0.06mm	1550g	ID measuring range: 20 - 750mm
0 - 1000mm	533-506	0.02mm	±0.07mm	3450g	ID measuring range: 20 - 1000mm

Offset Caliper

SERIES 573, 536



CALIPERS

SPECIFICATIONS

Metric	Absolute offset caliper		
Range	Order No.	Resolution	Accuracy
0 - 150mm	573-101-10	0.01mm	±0.02mm
0 - 200mm	573-102-10	0.01mm	±0.02mm
0 - 300mm	573-103-10	0.01mm	±0.03mm

Excluding quantizing error

Inch/Metric	Absolute offset caliper		
Range	Order No.	Resolution	Accuracy
0 - 6" (0 - 150mm)	573-201-10	.0005"/0.01mm	±.001"
0 - 8" (0 - 200mm)	573-202-10	.0005"/0.01mm	±.001"
0 - 12" (0 - 300mm)	573-203-10	.0005"/0.01mm	±.0015"

Excluding quantizing error

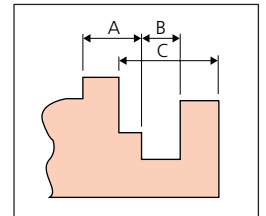
Metric	Offset vernier caliper		
Range	Order No.	Resolution	Accuracy
0 - 150mm	536-101	0.05mm	±0.05mm
0 - 200mm	536-102	0.05mm	±0.05mm
0 - 300mm	536-103	0.05mm	±0.08mm

Metric	Offset dial caliper			
Range	Order No.	Dial reading (graduation)	Dial reading (range/rev.)	Accuracy
0 - 150mm	536-702	0.05mm	5mm	±0.05mm

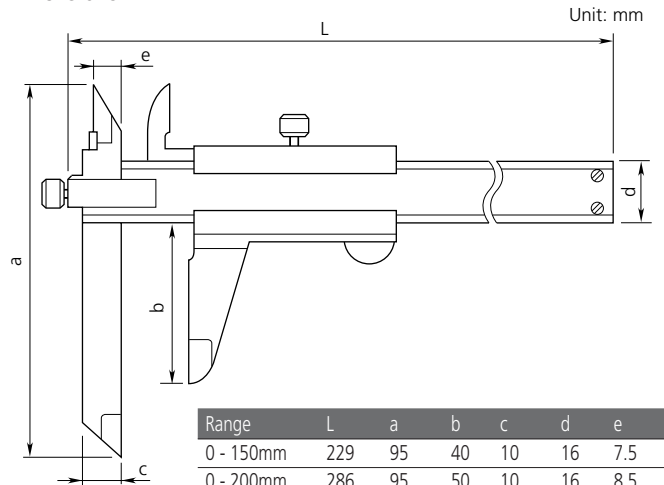
Inch	Offset dial caliper			
Range	Order No.	Dial reading (graduation)	Dial reading (range/rev.)	Accuracy
0 - 6"	536-701	.001"	.2"	±.0015"

FEATURES

- Main scale jaw can be slid up and down to facilitate measurement of stepped sections. (Hard-to-get-at dimensions such as A, B, C can be accurately measured with an Offset Caliper.)
- With Depth bar.
- The 573 series (LCD readout type) is provided with SPC output.



Dimensions

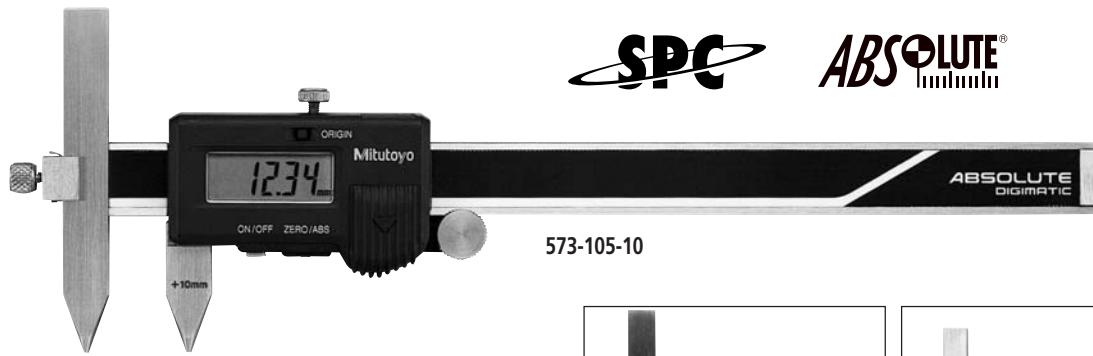


Range	L	a	b	c	d	e
0 - 150mm	229	95	40	10	16	7.5
0 - 200mm	286	95	50	10	16	8.5
0 - 300mm	403	135	64	15	20	12

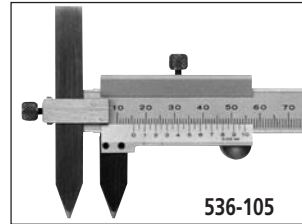
Note: L for offset vernier caliper only

Offset Centerline Caliper

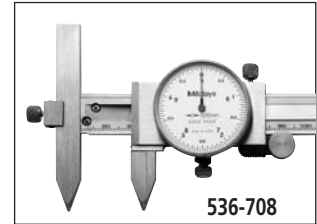
SERIES 573, 536



573-105-10



536-105



536-708

CALIPERS



SPECIFICATIONS

Metric		Absolute offset centerline caliper		
Range	Order No.	Resolution	Accuracy	
10 - 150mm	573-105-10	0.01mm	±0.03mm	Excluding quantizing error
10 - 200mm	573-106-10	0.01mm	±0.03mm	

Inch/Metric		Absolute offset centerline caliper		
Range	Order No.	Resolution	Accuracy	
.4" - 6" (10.16 - 150mm)	573-205-10	.0005"/0.01mm	±.0015"	Excluding quantizing error
.4" - 8" (10.16 - 200mm)	573-206-10	.0005"/0.01mm	±.0015"	

Note: Measurements = Displayed value + 10mm for metric model or displayed value + .4" (10.16mm) for inch/metric model.

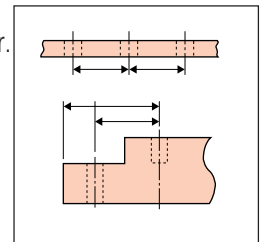
Metric		Offset centerline vernier caliper		
Range	Order No.	Vernier reading	Accuracy	
10 - 150mm	536-105	0.05mm	±0.05mm	
10 - 200mm	536-106	0.05mm	±0.05mm	
10 - 300mm	536-107	0.05mm	±0.08mm	

Metric		Offset centerline dial caliper			
Range	Order No.	Dial reading (graduation)	Dial reading (range/rev.)	Accuracy	
10 - 300mm	536-708	0.05mm	5mm	±0.08mm	

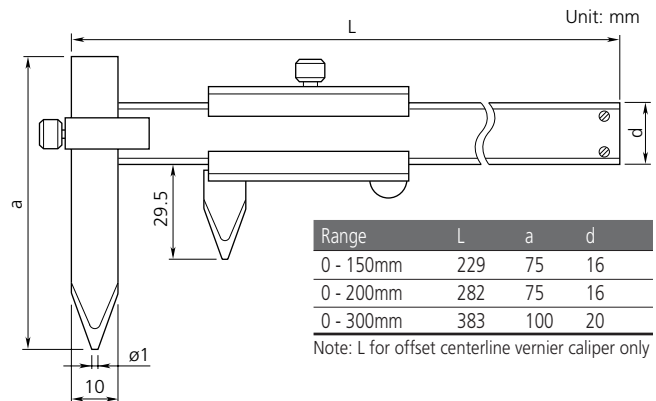
Inch		Offset centerline dial caliper			
Range	Order No.	Dial reading (graduation)	Dial reading (range/rev.)	Accuracy	
.4" - 12"	536-710	.001"	.2"	±.002"	

FEATURES

- Specially designed for center to center distance measurements on the same and offset planes.
- Can also measure from edge to center.
- Hole diameter should be larger than 1.5mm (.06") but smaller than 10mm (.4").
- The 573 series (LCD readout type) is provided with SPC output.

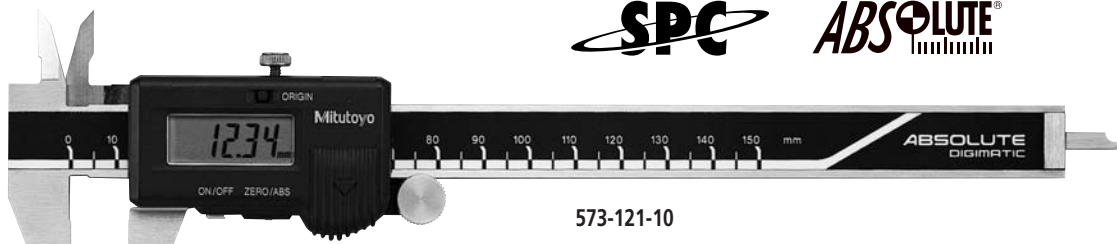


Dimensions

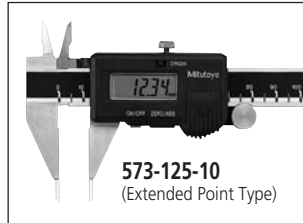


Point Caliper

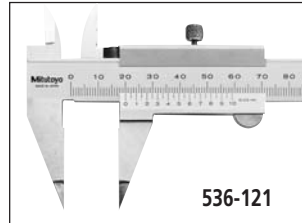
SERIES 573, 536



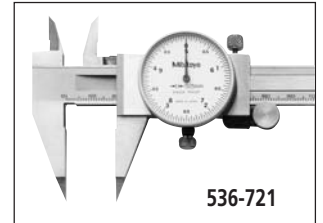
573-121-10



573-125-10
(Extended Point Type)



536-121



536-721

CALIPERS

SPECIFICATIONS

Metric		Absolute point caliper	
Range	Order No.	Resolution	Accuracy
0 - 150mm	573-121-10	0.01mm	±0.02mm
0 - 200mm	573-125-10*	0.01mm	±0.02mm

*Extended Point Type

Excluding quantizing error

Inch/Metric		Absolute point caliper	
Range	Order No.	Resolution	Accuracy
0 - 6" (0 - 150mm)	573-221-10	.0005"/0.01mm	±.001"
	573-225-10*	.0005"/0.01mm	±.001"

*Extended Point Type

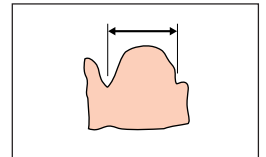
Metric		Point vernier caliper	
Range	Order No.	Resolution	Accuracy
0 - 150mm	536-121	0.05mm	±0.05mm

Metric		Point dial calipers		
Range	Order No.	Dial reading (graduation)	Dial reading (range/rev.)	Accuracy
0 - 6"	536-721	0.05mm	5mm	±0.05mm

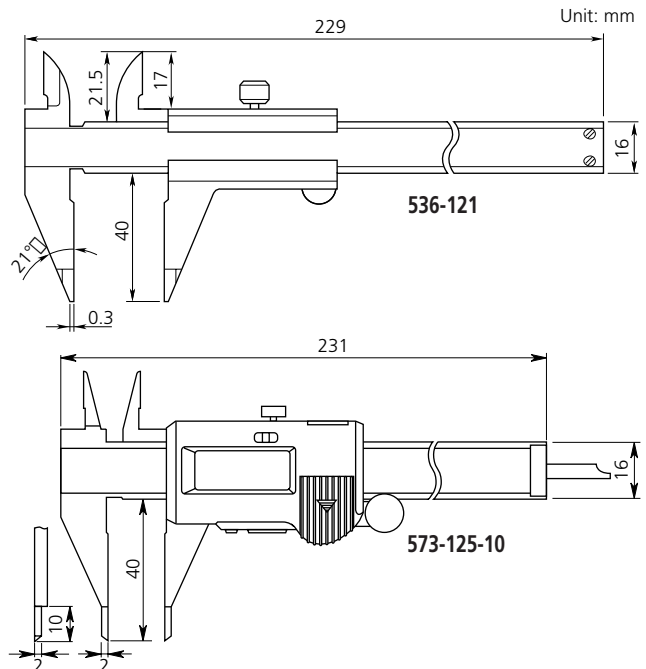
Inch		Point dial calipers		
Range	Order No.	Dial reading (graduation)	Dial reading (range/rev.)	Accuracy
0 - 6"	536-724	.001"	.2"	±.0015"

FEATURES

- The narrow tip jaws fit into very small grooves and tracks, making many previously difficult outside measurements far easier to obtain.
- With Depth bar.
- The 573 series (LCD readout type) is provided with SPC output.

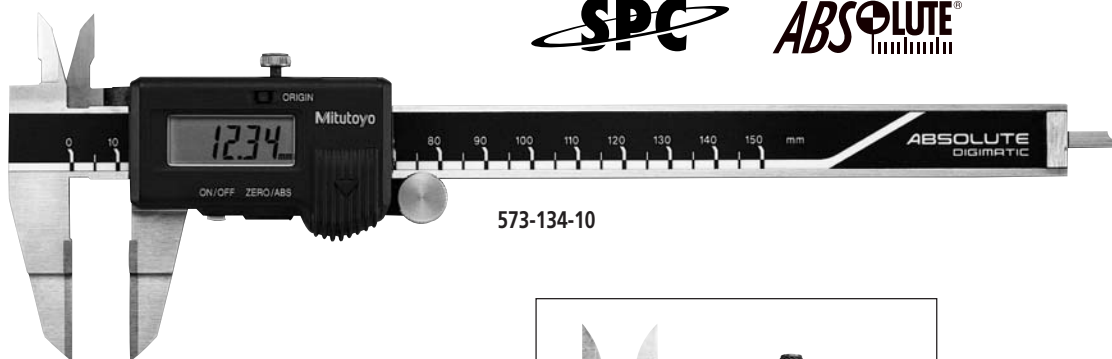


Dimensions

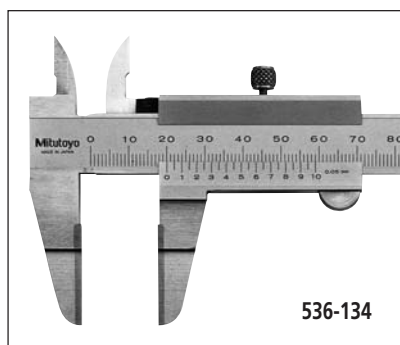


Blade Type Caliper

SERIES 573, 536



573-134-10



536-134

CALIPERS



SPECIFICATIONS

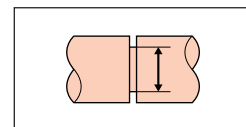
Metric		Absolute blade caliper		
Range	Order No.	Resolution	Accuracy	
0 - 150mm	573-134-10	0.01mm	±0.02mm	Excluding quantizing error

Inch/Metric		Absolute blade caliper		
Range	Order No.	Resolution	Accuracy	
0 - 6" (0 - 150mm)	573-234-10	.0005"/0.01mm	±.001"	Excluding quantizing error

Metric		Blade vernier caliper		
Range	Order No.	Resolution	Accuracy	
0 - 150mm	536-134	0.05mm	±0.05mm	
0 - 200mm	536-135	0.05mm	±0.05mm	
0 - 300mm	536-136	0.05mm	±0.08mm	

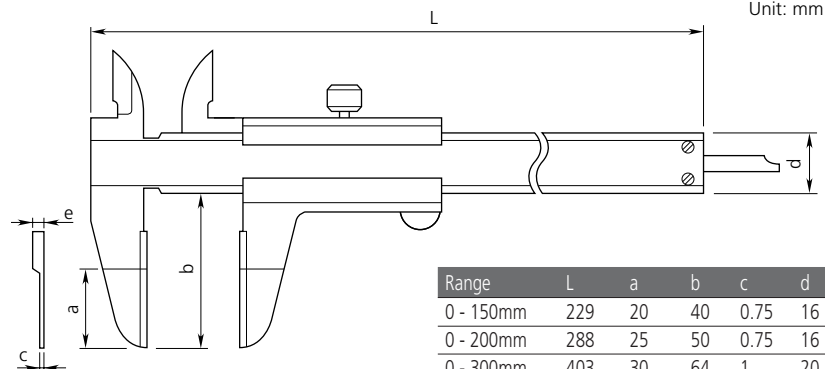
FEATURES

- The thin blade type jaws fit into very small grooves and tracks, making many previously difficult outside measurements far easier to obtain.



- The OD measuring faces are carbide-tipped.
- With Depth bar.
- The 573 series (LCD readout type) is provided with SPC output.

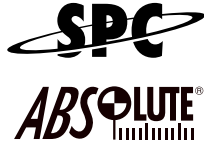
Dimensions



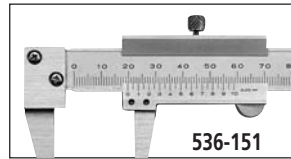
Range	L	a	b	c	d	e
0 - 150mm	229	20	40	0.75	16	3
0 - 200mm	288	25	50	0.75	16	3
0 - 300mm	403	30	64	1	20	3.8

Neck Caliper

SERIES 573, 536



573-151-10



SPECIFICATIONS

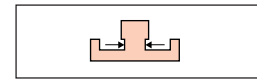
Metric	Absolute neck caliper		
Range	Order No.	Resolution	Accuracy
0 - 150mm	573-151-10	0.01mm	±0.03mm Excluding quantizing error

Inch/Metric	Absolute neck caliper		
Range	Order No.	Resolution	Accuracy
0 - 6" (0 - 150mm)	573-251-10	.0005"/0.01mm	±.0015" Excluding quantizing error

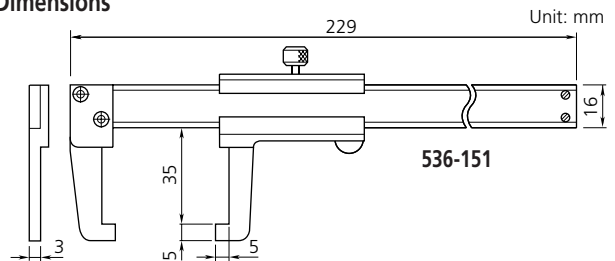
Metric	Neck vernier caliper		
Range	Order No.	Resolution	Accuracy
0 - 150mm	536-151	0.05mm	±0.05mm

FEATURES

- Can measure wall thickness inside bores and recesses.
- The 573 series (LCD readout type) is provided with SPC output.

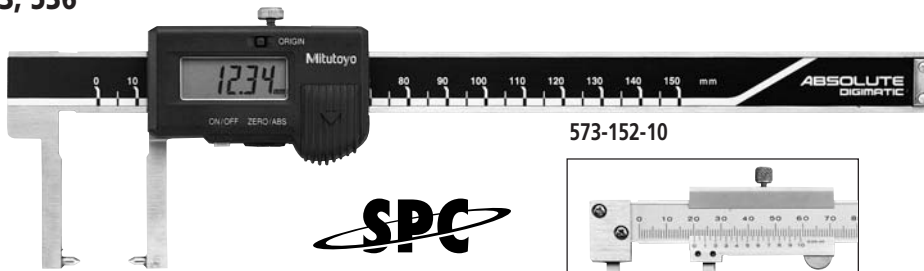


Dimensions

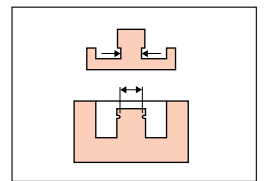
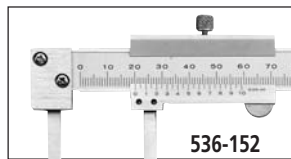


Outside Point Caliper

SERIES 573, 536



573-152-10



SPECIFICATIONS

Metric	Absolute outside point caliper		
Range	Order No.	Resolution	Accuracy
0 - 150mm	573-152-10	0.01mm	±0.03mm Excluding quantizing error

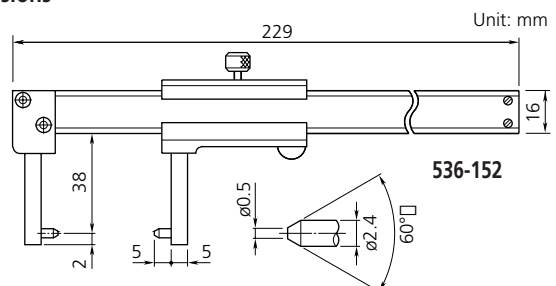
Inch/Metric	Absolute outside point caliper		
Range	Order No.	Resolution	Accuracy
0 - 6" (0 - 150mm)	573-252-10	.0005"/0.01mm	±.0015" Excluding quantizing error

Metric	Outside point vernier caliper		
Range	Order No.	Resolution	Accuracy
0 - 150mm	536-152	0.05mm	±0.05mm

FEATURES

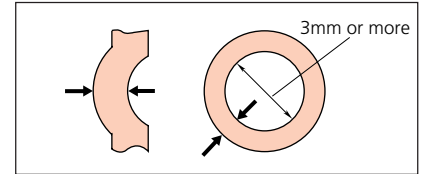
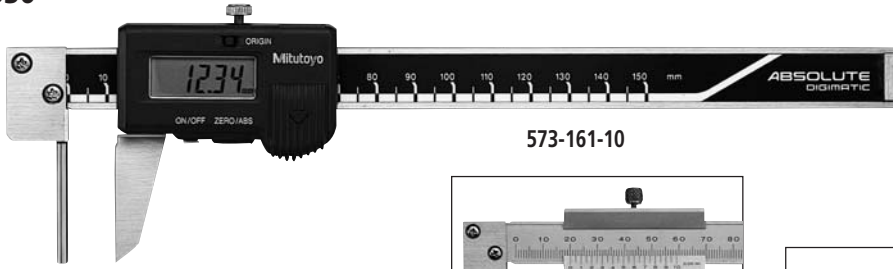
- Can measure wall thickness inside bores and recesses.
- The 573 series (LCD readout type) is provided with SPC output.

Dimensions



Tube Thickness Caliper

SERIES 573, 536



SPECIFICATIONS

Metric	Absolute tube thickness caliper		
Range	Order No.	Resolution	Accuracy
0 - 150mm	573-161-10	0.01mm	±0.05mm Excluding quantizing error

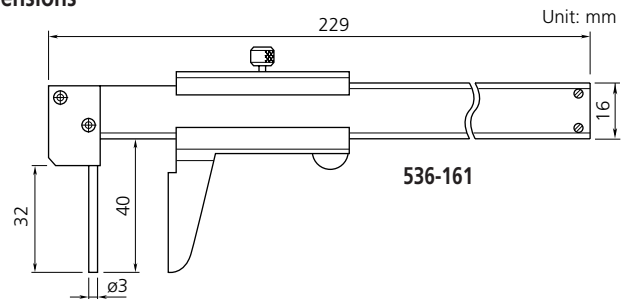
Inch/Metric	Absolute tube thickness caliper		
Range	Order No.	Resolution	Accuracy
0 - 6" (0 - 150mm)	573-261-10	.0005"/0.01mm	±.002" Excluding quantizing error

Metric	Tube thickness vernier caliper		
Range	Order No.	Resolution	Accuracy
0 - 150mm	536-161	0.05mm	±0.05mm

FEATURES

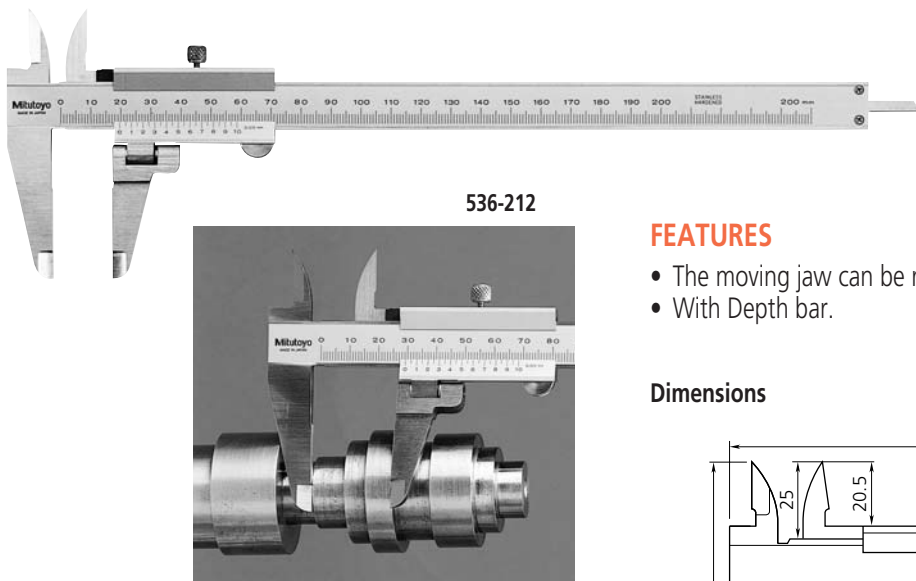
- The main scale jaw is a round bar that facilitates measurements of tube wall thickness.
- The 573 series (LCD readout type) is provided with SPC output.

Dimensions



Swivel Vernier Caliper

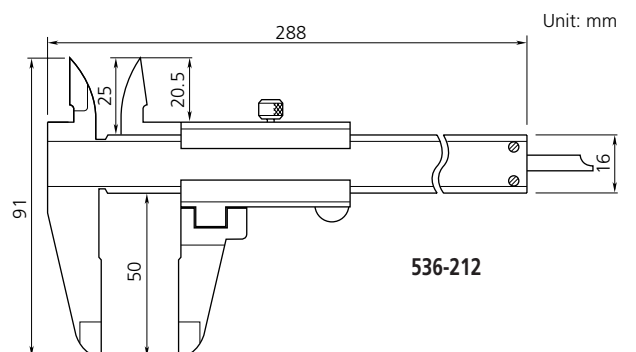
SERIES 536



FEATURES

- The moving jaw can be rotated to measure sectioned shafts.
- With Depth bar.

Dimensions



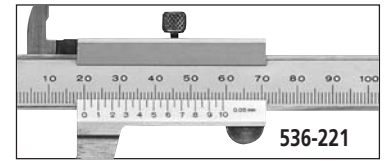
SPECIFICATIONS

Metric	Swivel Vernier Caliper		
Range	Order No.	Resolution	Accuracy
0 - 200mm	536-212	0.05mm	±0.05mm

CALIPERS

Scribing Caliper

SERIES 573, 536



SPECIFICATIONS

Metric	Absolute scribing caliper		
Range	Order No.	Resolution	Accuracy
0 - 150mm	573-171-10	0.01mm	±0.02mm
0 - 200mm	573-172-10	0.01mm	±0.02mm
0 - 300mm	573-173-10	0.01mm	±0.03mm

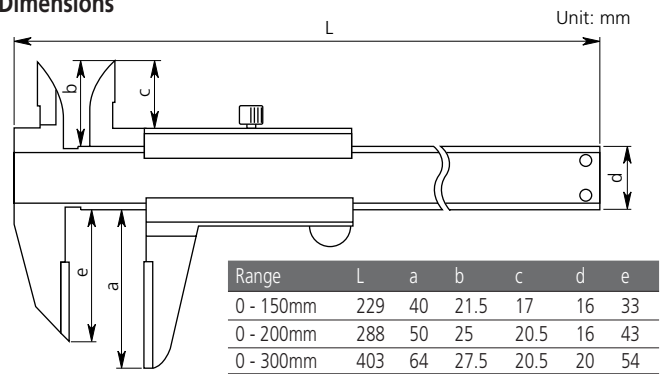
Excluding quantizing error

Metric	Scribing vernier caliper		
Range	Order No.	Resolution	Accuracy
0 - 150mm	536-221	0.05mm	±0.05mm
0 - 200mm	536-222	0.05mm	±0.05mm
0 - 300mm	536-223	0.05mm	±0.08mm

FEATURES

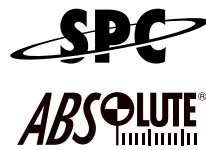
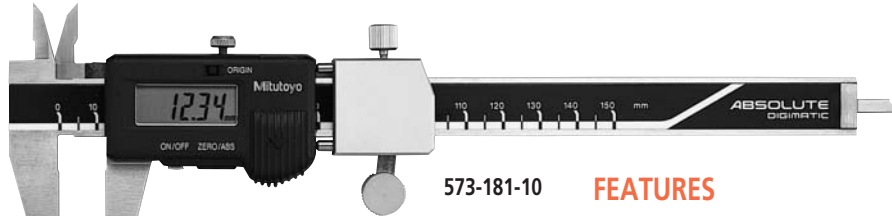
- The carbide-tipped jaws facilitate fine scribing on workpieces.
- With Depth bar.
- The 573 series (LCD readout type) is provided with SPC output.

Dimensions



Digimatic Snap Caliper

SERIES 573



SPECIFICATIONS

Metric			
Range	Order No.	Resolution	Accuracy
0 - 100mm	573-181-10	0.01mm	±0.02mm
0 - 150mm	573-182-10	0.01mm	±0.02mm

Excluding quantizing error

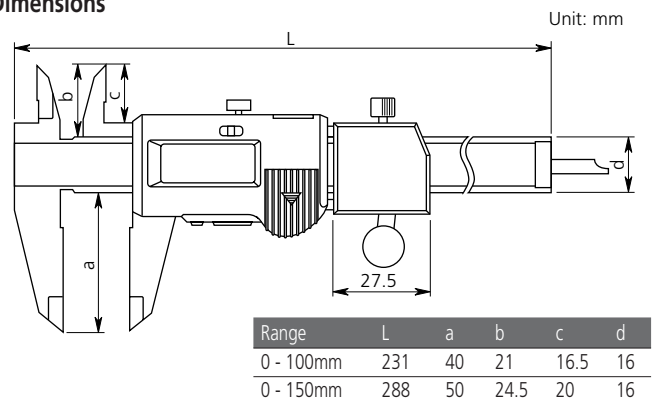
Inch/Metric			
Range	Order No.	Resolution	Accuracy
0 - 4" (0 - 100mm)	573-281-10	.0005"/0.01mm	±.001"
0 - 6" (0 - 150mm)	573-282-10	.0005"/0.01mm	±.001"

Excluding quantizing error

FEATURES

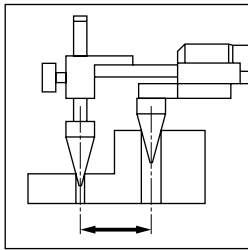
- The Digimatic Snap Caliper features a spring-loaded mechanism to allow quick and efficient GO/NO-GO inspection for mass-produced parts.
- The moving jaw retraction: 2mm
- Repeatability: 0.01mm (.0005")
- With SPC data output.

Dimensions

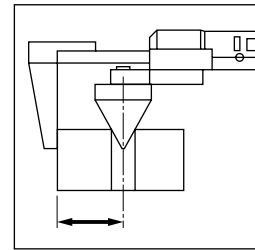


Back-Jaw Centerline Caliper

SERIES 573 — Center-to-center & Edge-to-center Types



573-116-10
(Center-to-center type)



573-118-10
(Edge-to-center type)

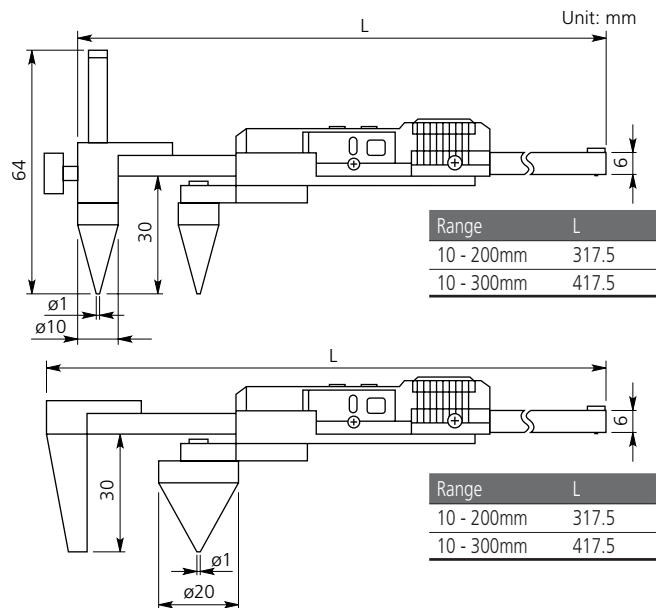
FEATURES

- Specially designed to measure the distance between two centers or the distance from an edge to center.
- Provided with jaws on the back of the slider, measurements can be read easily by looking down.
- Direct reading of pitch measurements is available due to the offset value setting function.
- With SPC data output.

Technical Data

- Display:** LCD
- Functions:** Origin-Set, Zero-Set, power on/off, inch/mm conversion (inch/mm type only), SPC data output, data hold (optional), offset, preset
- Battery:** SR44 (1 pc.) (938882)
- Battery life:** Approx. 3.5 years under normal use
- Maximum response speed:** Unlimited
- Alarm:** Low battery voltage, scale contamination, counting value composition error
- Operating temperature:** 0°C to 40°C

Dimensions



OPTIONAL ACCESSORIES

Order No.	Description
959143	Data Hold Unit
959149	SPC cable with data switch (1m)
959150	SPC cable with data switch (2m)

SPECIFICATIONS

Metric					
Range	Order No.	Resolution	Accuracy	Mass	Remarks
10 - 200mm	573-116-10	0.01mm	±0.10mm	482g	Center-to-center distance type
	573-118-10	0.01mm	±0.10mm	485g	Edge-to-center distance type
10 - 300mm	573-117-10	0.01mm	±0.15mm	578g	Center-to-center distance type
	573-119-10	0.01mm	±0.15mm	581g	Edge-to-center distance type

Excluding quantizing error

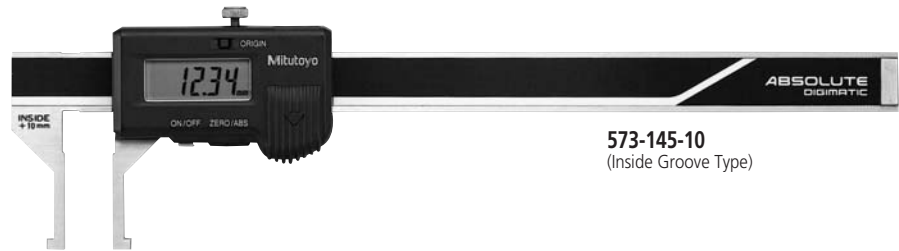


Inside Caliper

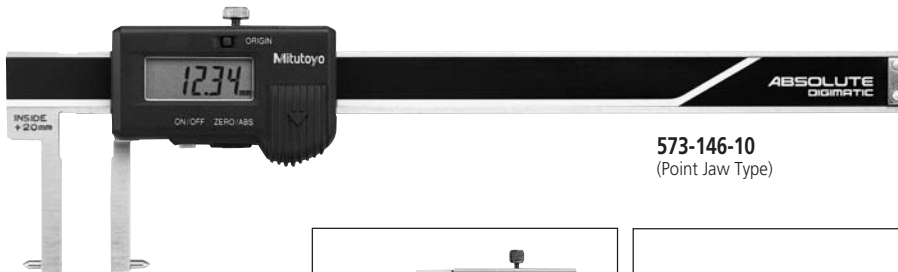
SERIES 573, 536 — Knife-Edge/Inside Groove/Point Jaw Type



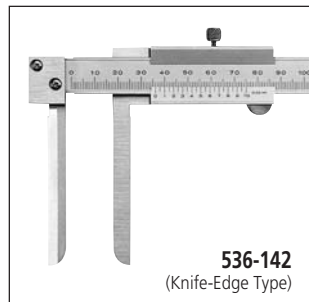
573-142-10
(Knife-Edge Type)



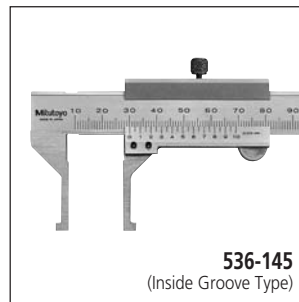
573-145-10
(Inside Groove Type)



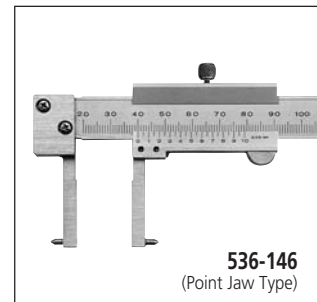
573-146-10
(Point Jaw Type)



536-142
(Knife-Edge Type)



536-145
(Inside Groove Type)



536-146
(Point Jaw Type)

FEATURES

- Specially designed for inside measurements in hard to reach places.
- The 573 series (LCD readout type) is provided with SPC output.





SPECIFICATIONS

Metric Absolute inside caliper

Range	Order No.	Resolution	Accuracy	Remarks
10 - 200mm	573-142-10	0.01mm	±0.05mm	Knife-edge type
10 - 150mm (+10mm)	573-145-10	0.01mm	±0.05mm	Inside groove type
20 - 150mm (+20mm)	573-146-10	0.01mm	±0.03mm	Point jaw type

Excluding quantizing error

Inch/Metric Absolute inside caliper

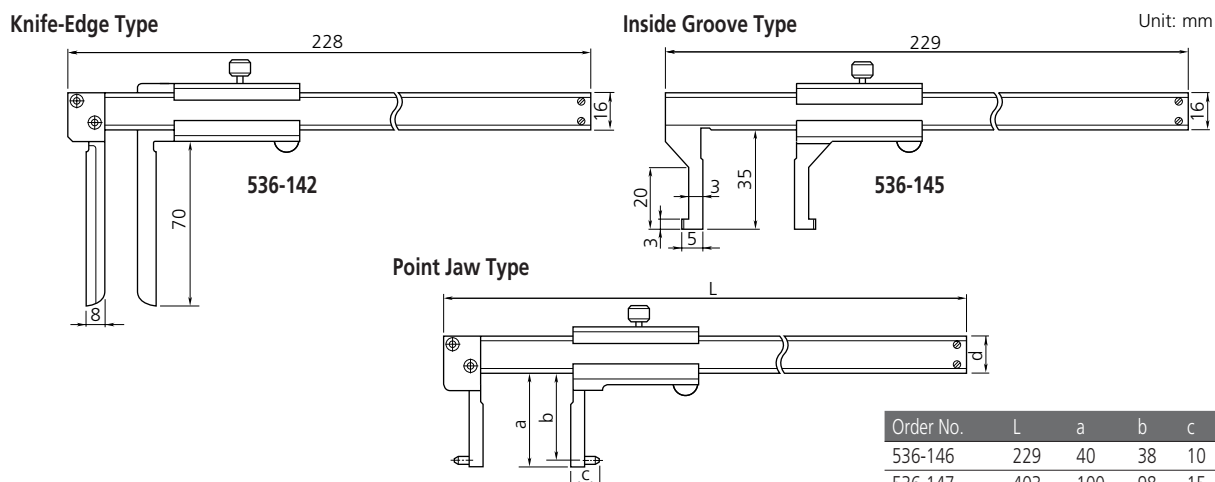
Range	Order No.	Resolution	Accuracy	Remarks
.4" - 8"/10 - 200mm	573-242-10	.0005"/0.01mm	±.002"	Knife-edge type
.4" - 6" (+.4")/10.16 - 150mm (+10.16mm)	573-245-10	.0005"/0.01mm	±.002"	Inside groove type
.8" - 6" (+.8")/20.32 - 150mm (+20.32mm)	573-246-10	.0005"/0.01mm	±.0015"	Point jaw type

Excluding quantizing error

Metric Inside vernier calipers

Range	Order No.	Vernier reading	Accuracy	Remarks
10 - 200mm	536-142	0.05mm	±0.12mm	Knife-edge type
10 - 150mm	536-145	0.05mm	±0.05mm	Inside groove type
20 - 150mm	536-146	0.05mm	±0.05mm	Point jaw type
30 - 300mm	536-147	0.05mm	±0.08mm	Point jaw type
70 - 450mm	536-148	0.05mm	±0.10mm	Point jaw type
70 - 600mm	536-149	0.05mm	±0.12mm	Point jaw type

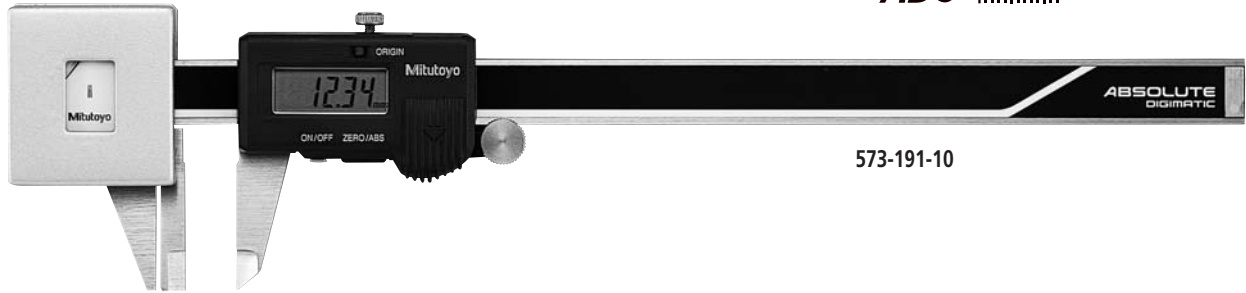
Dimensions



Order No.	L	a	b	c	d
536-146	229	40	38	10	16
536-147	403	100	98	15	20
536-148	610	150	145	35	25
536-149	750	150	145	35	25

Absolute Low Force Caliper

SERIES 573

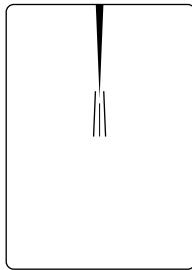


573-191-10

CALIPERS

FEATURES

- Due to the low measuring force these calipers are ideal for elastic or resilient workpieces such as plastic parts and rubber parts that standard calipers cannot measure.



Technical Data

- Display:** LCD
- Functions:** Origin-Set, Zero-Set, power on/off, inch/mm conversion (inch/mm type only), SPC data output, data hold (optional)
- Battery:** SR44 (1 pc.) (938882)
- Battery life:** Approx. 3.5 years under normal use
- Maximum response speed:** Unlimited
- Alarm:** Low battery voltage, scale contamination, counting value composition error
- Operating temperature:** 0°C to 40°C

(To measure resilient workpieces take the measurement when the pointer is between the two index lines.)

- Constant force: 0.49N to 0.98N (50 to 100gf)
- The jaw on the beam travels 0.3mm.
- Data output function

SPECIFICATIONS

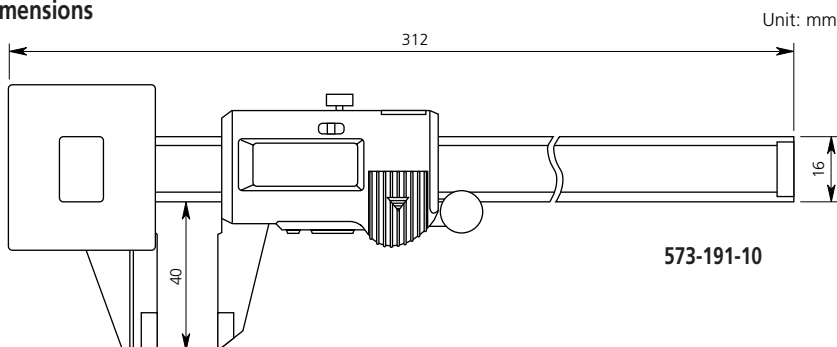
Metric

Range	Order No.	Resolution	Accuracy	Mass
0 - 180mm	573-191-10	0.01mm	±0.05mm	247g

Inch/Metric

Range	Order No.	Resolution	Accuracy	Mass
0 - 7" (0 - 180mm)	573-291-10	.0005"/0.01mm	±.002"	.54 lbs.

Dimensions



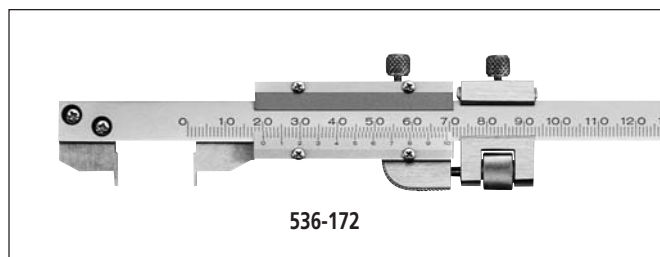
573-191-10

Hook Type Vernier Caliper

SERIES 536



536-171



536-172

CALIPERS



FEATURES

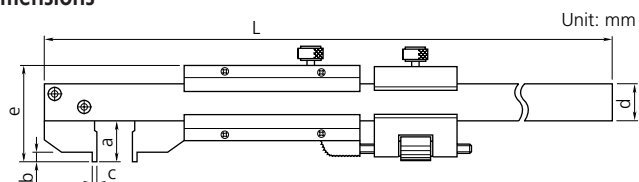
- Can measure width of grooves and lands inside bores and recesses.

SPECIFICATIONS

Metric

Range (OD)	Range (ID)	Order No.	Vernier reading	Accuracy	Remarks
0 - 200mm	10 - 200mm	536-171	0.02mm	±0.03mm	—
0 - 200mm	2 - 200mm	536-172	0.02mm	±0.03mm	with fine adjustment

Dimensions



Order No.	L	a	b	c	d	e
536-171	310	12	4	5	11	28
536-172	310	12	4	1	11	28