

Mechanical Force Gauge

CHATILLON® ergonomically designed push & pull gauges are ideal for a wide range of force testing applications. The rugged, cast aluminum housing fits naturally in the hand for a comfortable and firm grip even at maximum loads. Gauges may be mounted to a test stand for even greater control and consistent results in repetitive testing applications.

Easy to read concentric dial measures clockwise or counterclockwise depending on the direction of force. Because of the push & pull operation, either end of the gauge may be used for tension or compression. Dial rotates 360-degrees for taring. A maximum reading pointer captures peak readings and can be easily and quickly returned to zero. A mechanical overload feature protects the gauge from damage. Available in oz, lb, g or N units of measure.

DPP Series gauges come complete with protective carrying case and a set of stainless steel attachments.

FEATURES

- Easy to Use, Rugged Construction
- Intrinsically Safe
- Capacities Up to 50 lbs (25 kg, 250 N)
- True Push & Pull (Not Push or Pull) for Safe Operation
- Tare Ring
- Real Time and Peak Mode

SPECIFICATIONS

Accuracy:	±1% of Full Scale
Display:	1-3/4 inch (45 mm)
Real/Peak Mode:	Selectable
Overload Capacity:	110% of capacity
Warranty:	2 Years



SPECIFICATION
SS-FM-3101-0801
August 2001

Visit Us On The Web
www.chatillon.com
www.lloyd-instruments.co.uk
www.davenport.co.uk
www.ametek.com



Packaging



Electronics



Food & Beverage

AMETEK and CHATILLON are registered trademarks of AMETEK, Inc.
LLOYD INSTRUMENTS is a trademark of AMETEK, Inc.

Copyright 2001, by AMETEK, Inc.
Printed in U.S.A



ORDERING INFORMATION

(Model Number in **BOLD** followed by capacity x resolution)

OUNCES		POUNDS		KILOGRAMS		NEWTONS	
DPP16	16 oz x 1/8 oz	DPP1	1 lb x 0.01 lb	DPP500G	500 g x 5 g	DPP5N	5 N x 0.05 N
DPP32	32 oz x 1/4 oz	DPP2	2 lb x 0.02 lb	DPP1KG	1 kg x 10 g	DPP10N	10 N x 0.1 N
DPP80	80 oz x 1 oz	DPP5	5 lb x 0.05 lb	DPP2.5KG	2.5 kg x 25 g	DPP25N	25 N x 0.25 N
DPP160	160 oz x 2 oz	DPP10	10 lb x 0.10 lb	DPP5KG	5 kg x 50 g	DPP50N	50 N x 0.5 N
		DPP25	25 lb x 0.25 lb	DPP10KG	10 kg x 100 g	DPP100N	100 N x 1 N
		DPP30	30 lb x 0.25 lb	DPP25KG	25 kg x 250 g	DPP200N	200 N x 2 N
		DPP50	50 lb x 0.50 lb				

STANDARD ACCESSORIES

Adapters	Capacity	Availability	Part No.	Notes
Chisel Point, #10-32	50 lbf (225 N)	Standard	SPK-FMG-008A	
Point Adapter, #10-32	50 lbf (225 N)	Standard	SPK-FMG-009A	
Notch Adapter, #10-32	50 lbf (225 N)	Standard	SPK-FMG-010A	
Flat Adapter, #10-32	50 lbf (225 N)	Standard	SPK-FMG-011A	
Hook, #10-32	50 lbf (225 N)	Standard	SPK-FMG-012A	
Hook, Swivel, #10-32	20 lbf (112 N)	Optional	ML3867	
Hook, Swivel, #10-32	100 lbf (500 N)	Optional	ML3850	
Extension Rod, #10-32		Standard	SPK-FMG-013A	
Adapters- Test Stands		Availability	Part No.	Notes
MT Series		Optional	SPK-MT-DPP	
LTS Series		N/A	N/A	Mounts directly to Test Stand
LTC Series		N/A	N/A	Mounts directly to Test Stand
HTC Series		Optional	HTCK-2	
TT Tester		Optional	NC002582	
LTCM-6 Series		Optional	SPK-FM200-019	Standard with Test Stand
TCM201 Series		Optional	SPK-FM200-019	Standard with Test Stand
TCD200 Series		Optional	SPK-FM200-019	Standard with Test Stand
LFPLUS Series				
LRX Series		N/A	N/A	Uses LRX Loadcells only
LRXPLUS Series		N/A	N/A	Uses XLC Loadcells only
LR5KPLUS		N/A	N/A	Uses XLC Loadcells only
Miscellaneous		Availability	Part No.	Notes
Protective Carrying Case		Standard	12128	
Operators' Manual		Standard	NC001810	

GAUGE ADAPTERS



Chisel Point



Point Adapter



Notch Adapter
(Only one included with gauge)

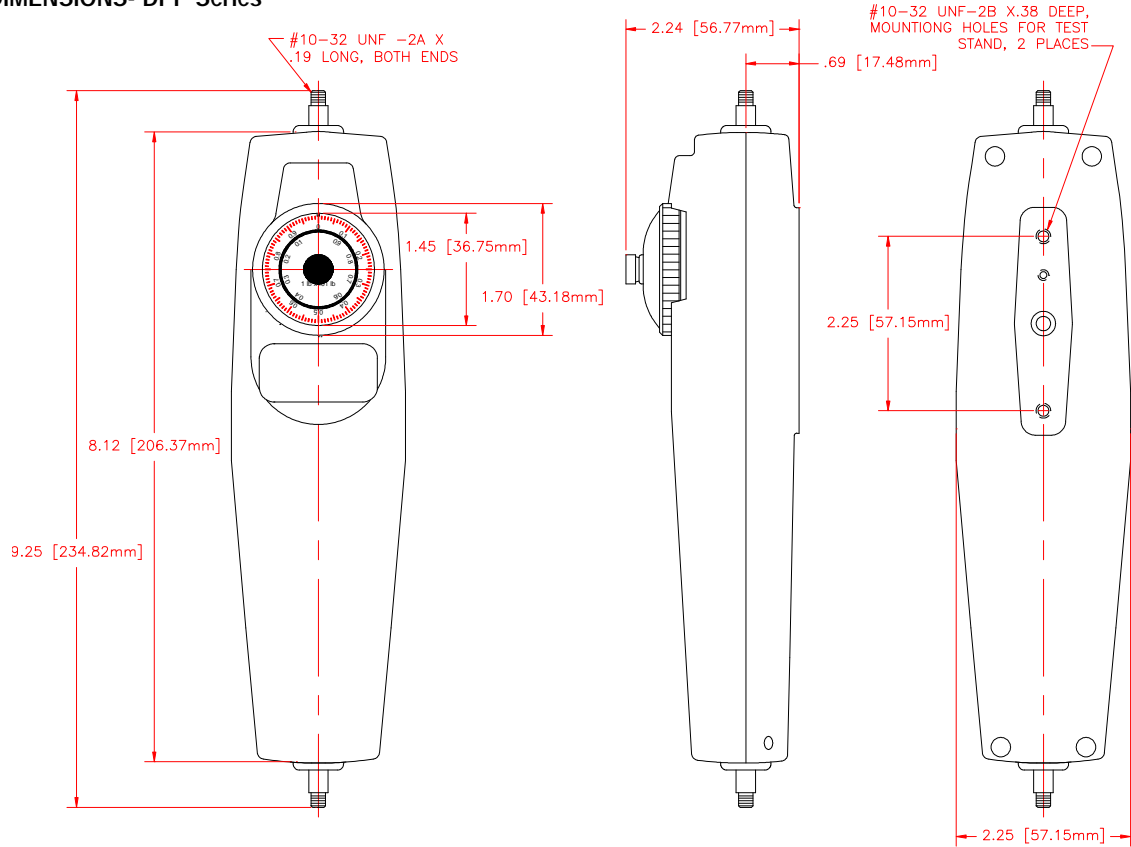


Flat Adapter



Hook
(Only one included with gauge)

DIMENSIONS- DPP Series



DPP/MDP_CASE
FILE NAME: E96-311.DWG



All DPP Series gauges come with protective carrying case, certificate of calibration, extension rod, point adapter, chisel adapter, flat adapter, notch adapter and hook.

AMETEK

TEST AND CALIBRATION INSTRUMENTS

Americas
AMETEK TCI Division
8600 Somerset Drive
Largo, Florida 33773
United States of America
Tel +1-727-536-7831
Tel +1-800-527-9999
Fax +1-727-539-6882
Email chatillon.fl-lar@ametek.com

United Kingdom
AMETEK Lloyd Instruments Ltd.
Forum House, 12 Barnes Wallis Rd
Segensworth East
Fareham
Hampshire PO15 5TT
United Kingdom
Tel +44-0-1489-574221
Fax +44-0-1489-885118
Email general@lloyd-instruments.co.uk

France
AMETEK Lloyd Instruments SA
3 avenue des Coudriers
Zone d'Activite de l'Observatoire
78180 Montigny-Le-Bretonneux
France
Tel +33-1-3057-4774
Fax +33-1-3057-5033
Email general@lloyd-instruments.co.uk

Germany
AMETEK Precision Instruments
Europe GmbH
Rudolf-Diesel-Strasse 16
D-40670 Meerbusch
Germany
Tel +49-0-2159-9136-70
Fax +49-0-2159-9136-80
Email apie@ametek.dr

Singapore
AMETEK Singapore Pvt. Ltd.
10 Ang Mo Kio Street 65
#05-12 Techpoint
Singapore 569059
Tel +65-484-2388
Fax +65-481-6588
Email aspi@ametek.com.sg

Australia
AMETEK Lloyd Instruments
No. 7 Shenwood Place
Alexander Heights
6064 Perth
Australia
Tel +61-8-9343-5725
Fax +61-8-9343-5723
Email general@lloyd-instruments.co.uk

Information within this document is subject to change without notice.

**ISO 9001
Manufacturer**