

Digital force gauge

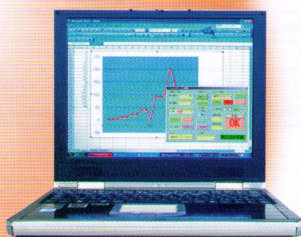
FGP series



Excellent data acquisition

New force gauge with data administration function

Download
the data



NEW Download the data to Excel with high speed

Add-in software "Toriemon USB" enable us to download the data with 100 times per second. Efficiently edit the data on the PC.

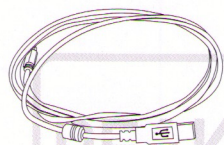
You can download "ToriemonUSB" from our website free of charge.

NEW USB Communication feature

Incorporate the high versatility USB into the interface. It's easy to download the data in communicate with PC.

The wealth of measuring function

Wide variation with the motorized test stand.



NEW High-speed sampling

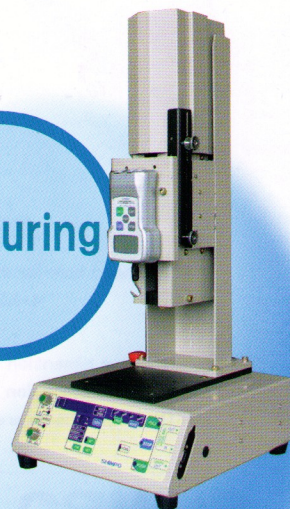
It is possible to download the data on high speed with sampling rate of 1000 times per second.

Memory
function

Rating capacity
Up to **1000 N (100kg)**

1000N (100kg) model make addition to product line.

Measuring



NEW Memory function is available

Three memory mode; Continuous memory, Single memory and Standard memory. Memory capacity; 1000 data in Continuous memory mode.

NEW Comparator function

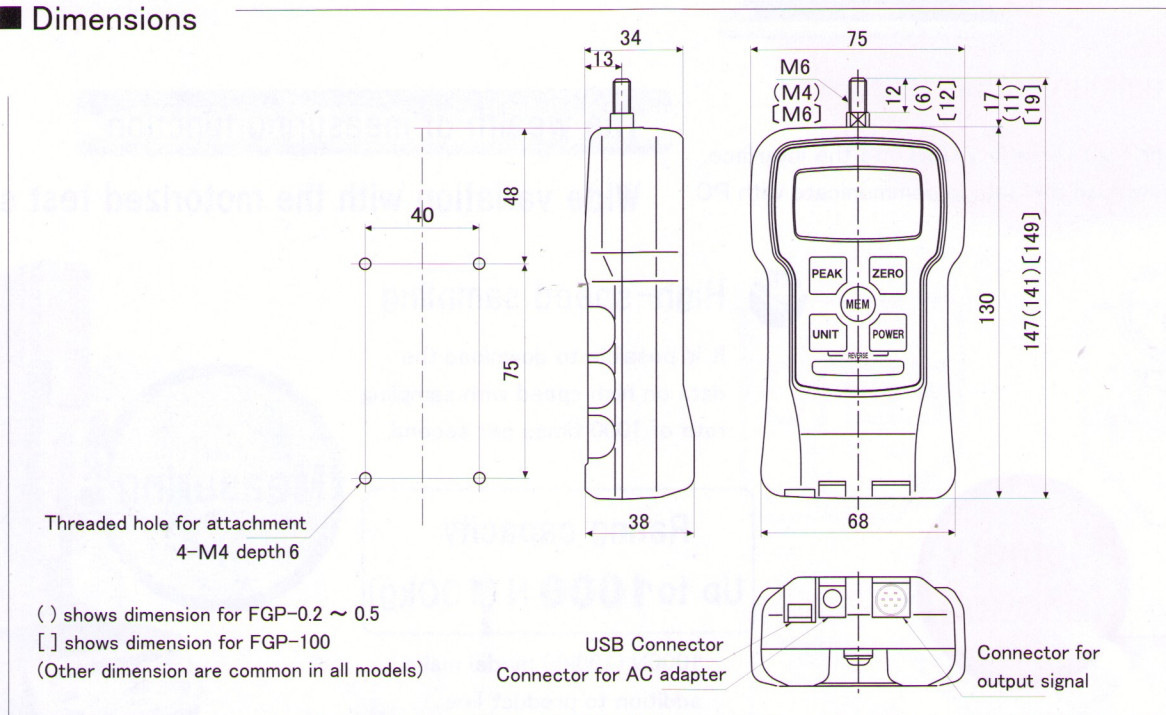
Available judgment of acceptance for measuring value with high/low limit setting.

Specifications

Model	FGP-0.2	FGP-0.5	FGP-1	FGP-2	FGP-5	FGP-10	FGP-20	FGP-50	FGP-100
Capacity(R.C.)	±2.000N (±200.0g) (±0.5lb)	±5.000N (±500.0g) (±1lb)	±10.00N (±1000g) (±2lb)	±20.00N (±2.000kg) (±5lb)	±50.00N (±5.000kg) (±10lb)	±100.0N (±10.00kg) (±20lb)	±200.0N (±20.00kg) (±50lb)	±500.0N (±50.00kg) (±100lb)	±1000N (±100.0kg) (±200lb)
Display range	±2.000N ±200.0g ±0.5lb	±5.000N ±500.0g ±1lb	±10.00N ±1000g ±2lb	±20.00N ±2.000kg ±5lb	±50.00N ±5.000kg ±10lb	±100.0N ±10.00kg ±20lb	±200.0N ±20.00kg ±50lb	±500.0N ±50.00kg ±100lb	±1000N ±100.0kg ±200lb
Resolution	0.001N 0.1g 0.001lb	0.01N 1g 0.001lb	0.01N 1g 0.001lb	0.01N 0.001kg 0.001lb	0.01N 0.001kg 0.01lb	0.01N 0.001kg 0.01lb	0.1N 0.01kg 0.01lb	0.1N 0.01kg 0.1lb	1N 0.1kg 0.1lb
Unit	N, kg(g), lb(oz) (Reversible display)								
Measuring mode	Standard measuring, Plus peak measuring, Minus peak measuring								
Display cycle	1, 2, 3, 5, 10, 20 times per second								
Sampling Rate	1000 times per second								
Accuracy	±0.2% R.C. ±1/2digit(23°C)								
Influence of temperature	Gain : ±0.01%LOAD/°C Zero : ±0.01%/R.C./°C(Drift of zero point can be cancelled with tracking function.)								
Display	Main display: 4-digits 12mm high, Reversible display								
	Unit display: 3-digits 7mm high								
	Other display: ①"LO BAT"(Decrease battery voltage), ②"BAT"(Battery charge), ③"OVR"(Over load), ④"Peak"(Peak hold mode)								
Overload	200%R.C.							150%R.C.	
Tracking	Available(ON/OFF)								
Output	USB	Communicate with PC by special application software (maximum 100 times per second). Connection cable is standard accessory.							
	RS-232C	Communicate with PC by special command (maximum 100 times per second), Connection cable is option.							
	Analog	±1V, Accuracy±50mV, through a 12 bit D/A converter, Output update 1000 times per second, Acceptable tare, Load resistance is more than 10k Ω							
	Overload/Comparator	Open-collector output (Max DC30V/5mA). Either overload output or comparator output							
Power	Rechargeable Nickel hydride battery or AC adapter/charger, Measurable during the charge, Operating hours: about 8 hours after full charge, Charging time: Max 16 hours (when the battery is full, charge is finished automatically.)								
Auto Power Off	10 minutes (not active if adapter/charge is in use) or OFF								
Memory function	Continuous memory: 1000 data, Single memory: 100 data, Standard memory: 50 data Statistic function (max, minimum, peak, average, standard deviation)								
Comparator function	Yes(high and low)								
Temperature range	0 - 40° C no condensation								
Humidity range	35~85%RH no condensation								
Dimensions	147mm*(L)x 75mm (W) x 38mm(H)								
Weight	Approx. 450g							Approx. 500g	
Accessories (Included)	AC adapter/charger, carrying case, hook, chisel, flat head, notched head, hanger, cone head, extension rod, USB cable								
Application software	Application software (USB version), Available to download ToriemonUSB from our website free of charge.								

※Dimension for FGP-0. ~ 0.5 is 141mm, FGP-100 is 149mm.

Dimensions



SHIMPO

NIDEC-SHIMPO CORPORATION

1 Terada, Kohtari, Nagaokakyo-City, Japan

Phone:(075)958-3608 Fax:(075)958-3647

URL:<http://www.nidec-shimpo.co.jp> E-mail:info@nidec-shimpo.co.jp

A **Nidec** Group Company